

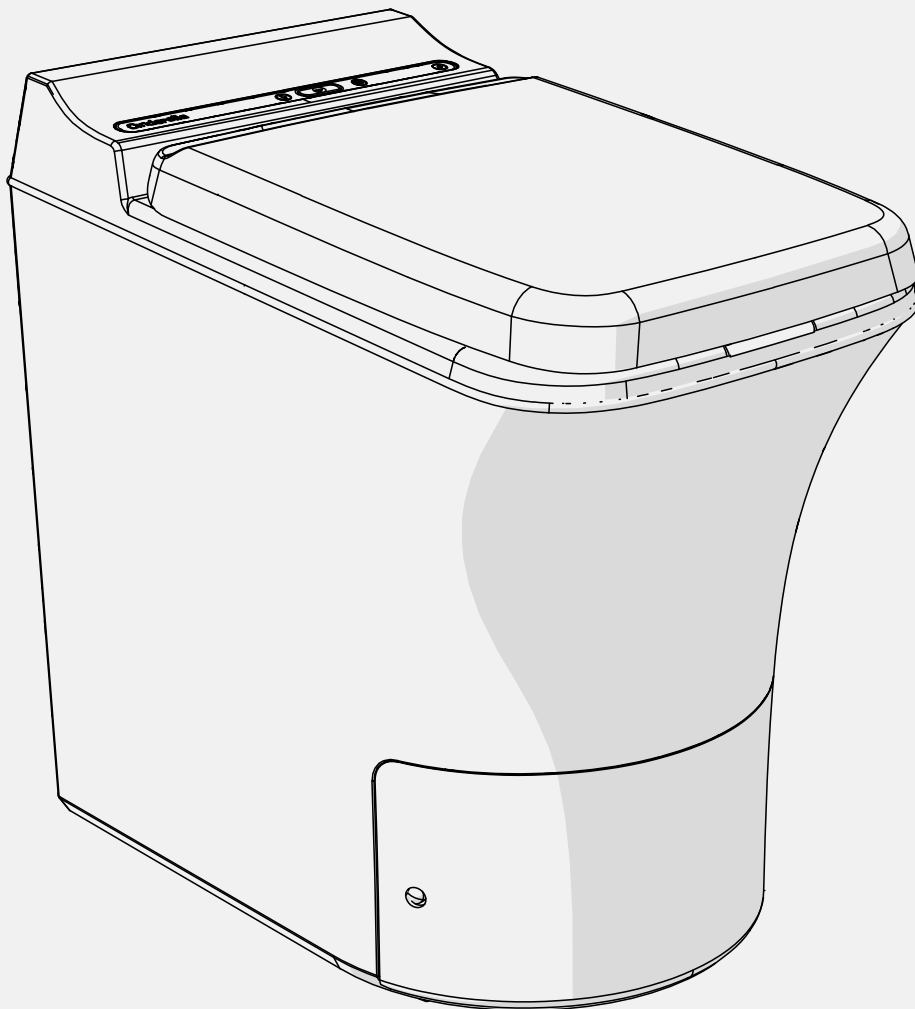


Cinderella[®]
Incineration Toilets

CINDERELLA FREEDOM

MODEL PM02CS03

Product manual



CONTENTS

1. GENERAL SECTION	3
1.1 INTRODUCTION	3
1.2 APPLICATION ACCORDING TO REGULATIONS	3
1.3 OPERATING INSTRUCTIONS GUIDE	3
1.4 LIMITATION OF LIABILITY	3
1.5 LISTINGS AND CERTIFICATIONS	3
1.6 ENVIRONMENTAL REQUIREMENTS	3
1.7 GENERAL SAFETY INSTRUCTIONS	4
1.8 APPLIANCE RATING PLATE	5
1.9 CINDERELLA ONLINE	5
2. INSTALLATION SECTION	6
2.1 UNPACKING YOUR CINDERELLA INCINERATION TOILET	6
2.2 MEASUREMENT SPECIFICATIONS	6
2.3 ORIGINAL INSTALLATION PACKAGES FOR YOUR CINDERELLA TOILET	7
2.4 INSTALLATION SPECIFICATIONS	8
2.4.1 SPECIFICATIONS OF PARTS AND MATERIALS	8
2.5 INSTALLING THE CINDERELLA INCINERATION TOILET	8
2.5.1 INSTALLING THE OUTLET PIPES	9
2.5.2 INLET AIR TERMINAL	10
2.5.3 INSTALLING THE ORIGINAL CINDERELLA FLUE TERMINAL CAP	11
2.5.4 GAS INSTALLATION	11
2.6 ELECTRICAL SPECIFICATIONS AND REQUIREMENTS	12
2.7 REMOVING THE TRANSPORTATION SAFETY STRAP	12
2.8 CHECKLIST TO VERIFY COMPLETE INSTALLATION	13
2.9 PERFORMANCE TEST TO VERIFY SYSTEM FUNCTIONALITY	13
3. USER SECTION	14
3.1 INTENDED USE AND HANDLING	14
3.2 GENERAL SAFETY	14
3.3 SAFETY WHEN OPERATING WITH GAS	14
3.4 SAFE OPERATIONS	14
3.5 CINDERELLA FREEDOM SAFETY FEATURES	14
3.6 IMPORTANT USER INFORMATION	15
3.7 THE CONTROL PANEL	16
3.8 USING THE CINDERELLA FREEDOM TOILET	17
3.9 OPERATING THE FRONT COVER AND ASH CONTAINER	18
4. GENERAL MAINTENANCE INSTRUCTIONS	19
4.1 END PRODUCT CHARACTERISTICS	19
4.2 CUSTOMER MAINTENANCE	20
4.2.1 EMPTYING AND CLEANING THE ASH CONTAINER	20
4.2.2 STEAM-CLEANING THE CATALYTIC CONVERTER	20
4.2.3 CLEANING THE BOWL	21
4.2.4 INSPECTING AND VACUUM CLEANING THE CATALYTIC CONVERTER	22
4.2.5 CLEANING THE APPLIANCE FLUE TERMINAL	22
4.2.6 RINSING THE CATALYTIC CONVERTER WITH HOT WATER	23
5. TROUBLESHOOTING AND FAQ	24
5.1 TROUBLESHOOTING TABLE	25
6. REPAIRS AND SPARE PARTS	26
6.1 SPARE PARTS LIST	26
6.2 WIRING DIAGRAM	26
7. WARRANTY	27

1. GENERAL SECTION

1.1 INTRODUCTION

It is essential to ensure proper ventilation in accordance with the guidelines in this manual to guarantee the functionality of your new Cinderella toilet. Improper installation may cause malfunction, wear and/or odours and will void the warranty. When installing the appliance, the technical and administrative regulations in the country in which it is installed must be adhered to.

1.2 APPLICATION ACCORDING TO REGULATIONS

This appliance is designed to incinerate bodily waste products and small sanitary products such as toilet paper and non-alcohol baby or face wipes.

This appliance must not be installed in a mobile or portable installation such as a mobile home, recreational vehicle or caravan.

1.3 OPERATING INSTRUCTIONS GUIDE

Please read this instruction manual carefully before installation and first use. Store these instructions in a safe place so you can refer to them when required. If you pass on the product to someone else, hand over this instruction manual along with it.

These instructions provide you with the necessary guidance for proper installation, handling and maintenance of the product. It is important that both the installer and the user familiarise themselves with the instructions given in this manual. The manual also contains information on professional maintenance and any necessary information for service and repairs.

A digital version of this document and further information can be found at www.cinderellaeco.com

1.4 LIMITATION OF LIABILITY

The manufacturer accepts no liability for damage in the following cases:

- Faulty installation
- Damage to the product resulting from incorrect connection voltage
- Alterations to the product without express permission from the manufacturer
- Use for purposes other than those described in the operating manual
- Non-observation of the operating and maintenance instructions
- Application not in accordance with the regulations or provisions
- Use of non-original bowl liners and spare parts

1.5 LISTINGS AND CERTIFICATIONS

The Cinderella Freedom has been extensively tested by DBI and SLG in accordance with the European standard for gas safety and electromagnetic compatibility.

1.6 ENVIRONMENTAL REQUIREMENTS

- Ambient temperature range: -20 to +40 °C
- Operating altitude: Tested to 1,500 m



CAUTION!

When the Cinderella toilet is installed, the minimum clearance to any combustible construction must be 50 mm from the sides and 50 mm from the rear.

1.7 GENERAL SAFETY INSTRUCTIONS



DANGER!

Safety instruction: Failure to observe this instruction could cause fatal or serious injury.



WARNING!

Safety instruction: Failure to observe this instruction could lead to injury.



CAUTION!

Failure to observe this instruction could cause material damage and impair the function of the product.



NOTE!

Supplementary information for operating the product.



DANGER!

- Do not spray aerosols in the vicinity of this appliance while it is in operation.
- Do not use or store flammable materials in or near this appliance.
- Do not place articles on or against this appliance.
- Do not modify this appliance.



- Do not operate the incineration toilet if it is visibly damaged.
- If the DC power cable for this toilet is damaged, it must be replaced by the manufacturer, customer service or a similarly qualified person in order to prevent safety hazards.
- Never use a naked flame to check the toilet gas connections for any leakage.
- This toilet may only be repaired by qualified personnel. Inadequate repairs may cause serious hazards.
- Only use LPG gas.
- Only operate the toilet with the pressure shown on the type plate on the back of the toilet.



WARNING!






- Danger of crushing! Do not place your hand on the hinge or underneath the toilet seat while open, as there is no soft-close function on the lid and seat.
- Do not empty the ash container when hot.
- Before activating, ensure that the power supply line and plug are dry.



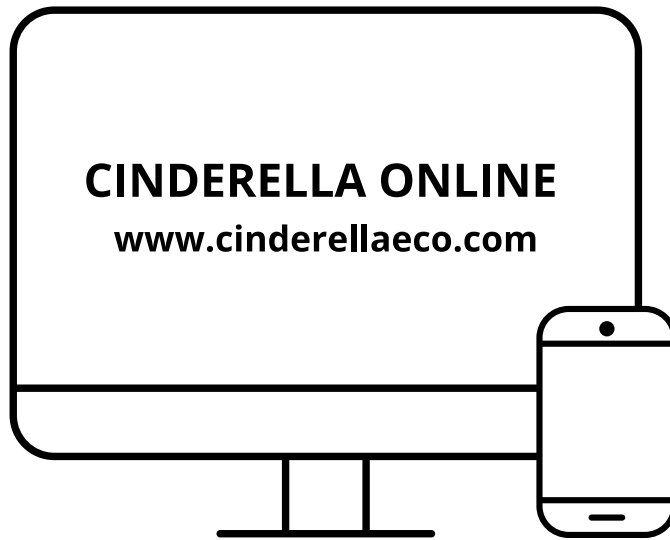
- During transport, only hold the toilet by the toilet shell. Never hold the toilet by the gas connection, power cord, front cover, lid or seat or exhaust outlet.
- Check that the voltage specification on the type plate is the same as that of the energy supply.
- Only use power cables with a suitable cross-section.
- Danger of overheating! Always ensure sufficient ventilation so that the heat and emissions generated during incineration can dissipate from the flue pipe. Ensure proper air flow for the system. Always ensure sufficient ventilation into the toilet.
- Make sure that the toilet is sufficiently far away from walls or other objects so that air can circulate.

1.8 APPLIANCE RATING PLATE

The appliance rating plate can be found on the back plate of the incineration toilet. From this plate you can read the model identification, serial number, toilet ratings and support detail. You will need these details whenever you contact the customer service centre or when ordering spare parts.

<p>MANUFACTURER</p>  <p>Cinderella Incineration Toilets</p> <p>CINDERELLA ECO GROUP AS Sjøvikvegen 67, 6475 Midsund, NORWAY For sales and support call +4777711500 or visit our web www.cinderellaeco.com</p> <p>CINDERELLA FREEDOM MODEL: PM02CS03EU SERIAL:</p>	<p>Appliance Specifications</p> <p>VOLTAGE..... 12V DC CURRENT 4 A GAS:..... PROPANE FAN BLOWER:..... 12V DC GAS SUPPLY PRESSURE: 30 mBar CAPACITY..... 3-4 PEOPLE PR. HOUR CONNECTED LOAD 425 G/H EFFECT..... 2.86 kW EXHAUST SYSTEM CONSTRUCTION -B22 DEVICE CATEGORY 13 B/P YEAR OF MANUFACTURING..... 2021 DESIGNED FOR..... HOME/CABINS, SANITATION WELFARE UNIT</p>	    <p>For information on how to claim warranty, support and recycle our product visit www.cinderellaeco.com</p>
--	--	---

1.9 CINDERELLA ONLINE



REGISTER WITH "MY CINDERELLA"

When you register your toilet in "My Cinderella", you will receive relevant information about our products and available support systems, as well as special offers specifically tailored to your toilet model. In the event of theft, registered toilets will be in our manufacturer database.

Online Troubleshooter

A complete guideline to your toilet, providing useful advice and user improvements, enabling you to solve the most common issues on your own, without having to call for assistance.

Easy access to information

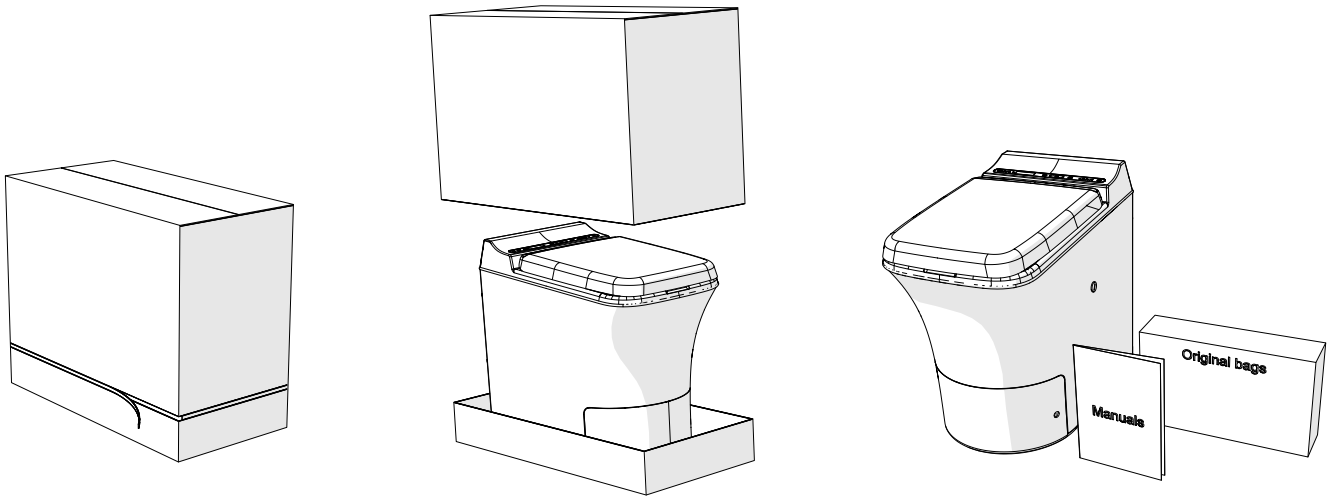
You can download product documentation from our online documentation centre, where you will find product manuals, service manuals and a Disassembly of Waste Electrical and Electronic Equipment (WEEE) manual.

Service and spare parts

Select country of origin and receive a list of local dealers where you can obtain service and spare parts.

2. INSTALLATION SECTION

2.1 UNPACKING YOUR CINDERELLA INCINERATION TOILET



NOTE!

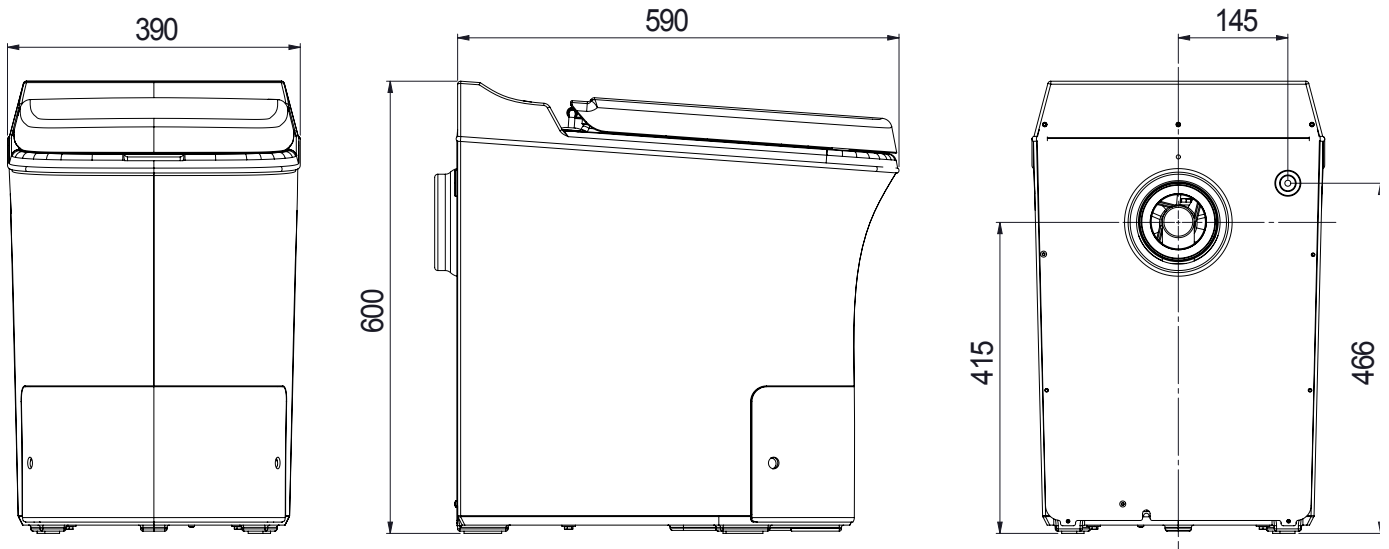
When unpacking the Cinderella toilet, use the pre-fixed strip on the bottom of the box. Release the strip all around the box and lift up the box.

INCLUDED ITEMS	QTY
Cinderella PM02CS03	1
Bowl liners	1
Product manual	1

2.2 MEASUREMENT SPECIFICATIONS

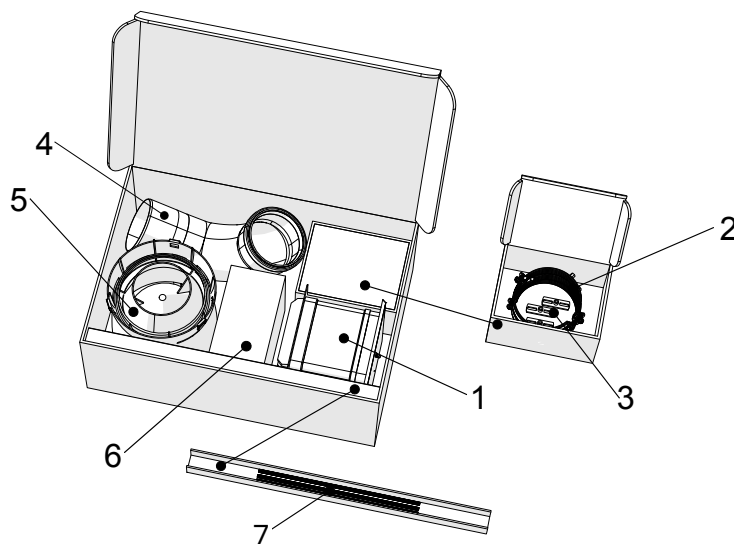
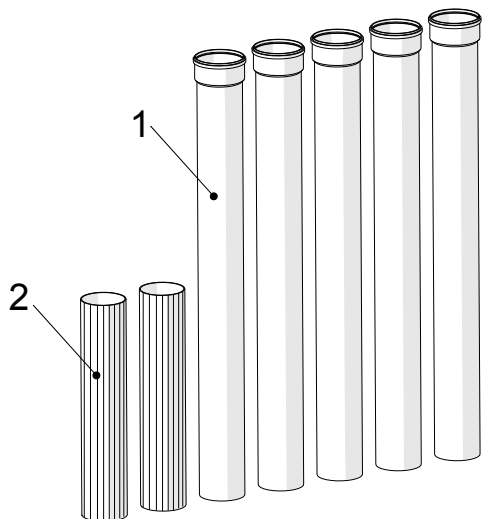
Height	600 mm
Seated height	540 mm
Width	390 mm

Depth	590 mm
Height centre outlet	415 mm



2.3 ORIGINAL INSTALLATION PACKAGES FOR YOUR CINDERELLA TOILET

Cinderella Original Installation Kit: We strongly recommend the use of the “Cinderella Original Installation Kit” when installing your appliance. This complete set includes necessary parts for an ideal installation, optimising the incinerating process and functionality of your toilet. The installation kit includes two separate boxes. Box no. 1 includes an optimised flue cowl and elbow, for increasing the system flow rate and incineration efficiency, as well as a specially designed 201 cm² air vent for optimised functionality. The kit also contains clamps to support the installation of the outlet pipes. Box no. 2 includes 7 x 110 mm UV-stabilised PP-quality pipes for installing the outlet ventilation.



CINDERELLA ORIGINAL INSTALLATION KIT		QTY
1	Male-female 1,066 mm flue pipe	5
2	Male-male 500 mm flue pipe	2

CINDERELLA ORIGINAL INSTALLATION KIT		QTY
1	Air vent, 160 mm (201 cm ²)	1
2	Support clamp	3
3	Wall mount rod	3
4	Elbow, 87° w/drain	1
5	Flue terminal cap	1
6	Pressure regulator kit*	1
7	Threaded rod, 30 mm	3

*Norway and Sweden only



NOTE!

- This manual will further explain and demonstrate how to optimally install your toilet, based on the parts included in the Original Cinderella Installation Kit. Should you desire to install your Cinderella appliance other than with our original pipes and parts, be sure that the parts you use comply with the specifications described under section 2.4.1 “Specifications of parts and materials”.
- In order to guarantee your Cinderella incineration toilet functions properly, it is essential to ensure proper ventilation in accordance with the guidelines in this manual. Installations deviating from the manufacturer specifications or the use of non-authorized parts in the installation of the appliance will cause malfunction, wear or odours and will void the warranty.

2.4 INSTALLATION SPECIFICATIONS

2.4.1 SPECIFICATIONS OF PARTS AND MATERIALS

ITEM	SPECIFICATIONS
Ventilation pipes	Cinderella Freedom is required to be installed with 110 mm pipes with a smooth inner surface and a minimum inner diameter of 102 mm. The pipe material must be specified for temperatures over 100 °C and preferably of a PP or CPVC type. We strongly recommend using the Original Cinderella PP-quality pipes.
Elbow (outlet air)	Cinderella Freedom is required to be installed with a smooth curved elbow that minimises the restriction of the air flow. We strongly recommend using the Original Cinderella elbow, 87° w/ drain.
Flue terminal cap	Cinderella Freedom is required to be installed with a flue terminal cap that prevents intrusion of rainwater and that has a minimum restriction of the air flow. Wind fans or similar are not to be used when venting the Cinderella incineration toilet. We strongly recommend using the Original Cinderella flue terminal cap.



NOTE!

- The inside of the ventilation pipe must be smooth and not embossed or grooved.
- Never use a mesh net in the ventilation pipe, as this might restrict the airflow in the system.
- The elbow must be accessible when installed, so that the drainage pipe can be rinsed and the outlet pipe cleaned.
- Cinderella Freedom is approved for use in bathrooms/wet rooms (IP 34 classified), but water must not be splashed over the external parts of the toilet.
- The toilet must be placed on a firm and level base. Your Cinderella appliance may be installed on a heated floor.

2.5 INSTALLING THE CINDERELLA INCINERATION TOILET

It is essential to ensure proper ventilation in accordance with the guidelines in this manual to guarantee the functionality of your new Cinderella toilet. Improper installation may cause malfunction, wear or odours and will void the warranty. Read each section carefully before starting the installation of the toilet. Always make sure that the work is carried out by professionals in accordance with local regulations.



CAUTION!

- Upon installation of the appliance, the technical and administrative regulations of the country in which the toilet is installed must be adhered to. We recommend that you contact your local dealer for planning and installing your Cinderella toilet.
- Never use bends in addition to the elbow.
- If the pipe perforates the roof surface, ensure that it is in compliance with building regulations.
- Do not use any flexible ducts or pipes when installing the Cinderella toilet.
- Never connect more than one appliance to the vent.

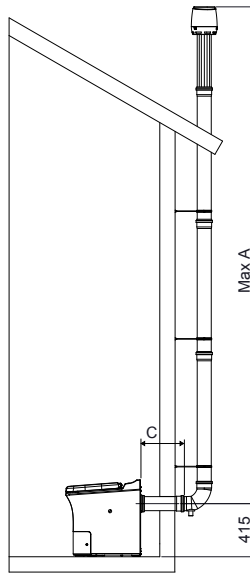
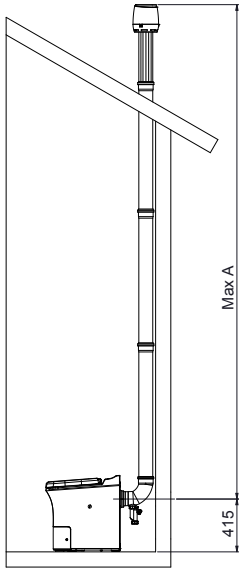


WARNING!

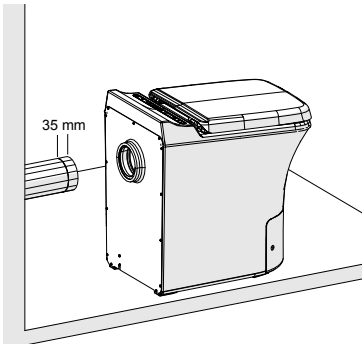
Before cutting any holes, always check that in doing so you will not cut through any electrical wiring or water pipes.

2.5.1 INSTALLING THE OUTLET PIPES

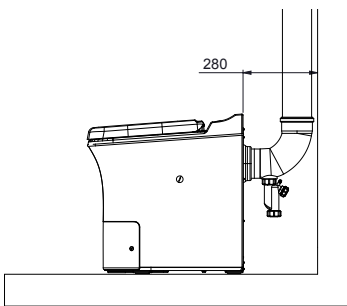
DIAMETER VENT PIPE	OUTLET DIRECTION	REFERENCE	BENDS	MAXIMUM PIPE LENGTH
110 mm	Horizontal flue pipe	C	(Not allowed)	1.0 m
110 mm	Vertical flue pipe	A	None	5.0 m



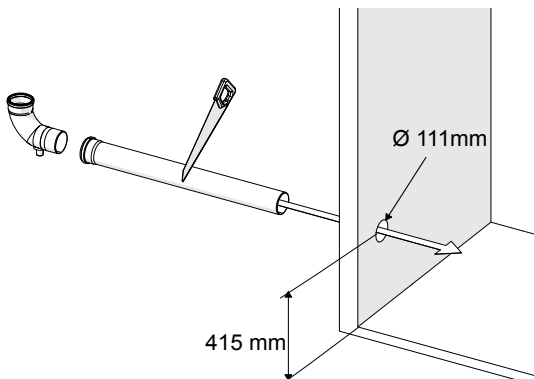
NOTE!
The centre of the appliance flue terminal is 415 mm from the floor level.



NOTE!
When adjusting the pipe length, please note that the pipe will enter 35 mm into the appliance flue terminal, and this will have to be calculated into the planning of your installation.



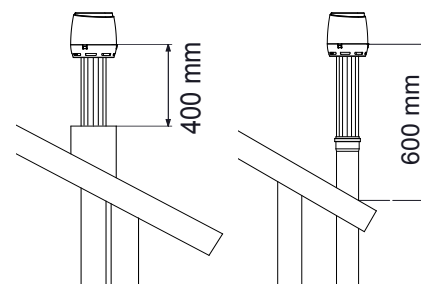
NOTE!
When installing the pipe vertically, straight up from the appliance, please note that the minimum distance from the wall to the toilet must be 280 mm.



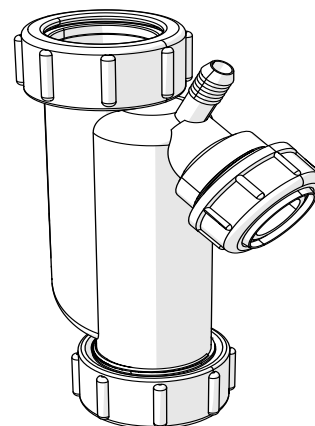
NOTE!
The Original Cinderella Installation Kit includes 5 x 1,066 mm pipes to be used on the outlet installation. The pipes are delivered with socket and gasket for simple installation. When installing the pipe through an outer wall, you will have to feed the pipe through from the outside.

**NOTE!**

- The pipe must always be installed vertically above the roof and extend at least 600 mm above the roof surface. If the outlet air pipe is to be enclosed (e.g. using metal siding), make sure that the end of the pipe extends at least 400 mm above the enclosure.
- If installing where snow is likely to accumulate, it may be necessary to extend the pipe further, and to secure accordingly. Keep in mind not to extend beyond the maximum allowed pipe length.

**NOTE!**

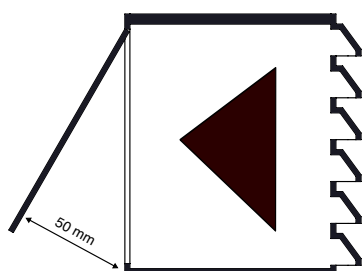
Cinderella supplies a specially designed “siphon” that fits onto the elbow provided in the installation kit. This item can be purchased as an accessory from any Cinderella dealer. If installation is done from inside, you will need to connect the siphon to the elbow piece to prevent condensation and rainwater from draining onto the floor. Failure to collect the condensation and empty it regularly may result in damage to the floor.

**2.5.2 INLET AIR TERMINAL**

An inlet air vent in accordance with manufacturer specifications is required to ensure adequate air circulation and the oxygen required for proper incineration. The Cinderella Original Installation Kit includes a specially designed air vent designed for optimal flow and increased product efficiency. The air inlet vent should preferably be installed as close to the Cinderella toilet as possible, to ensure a good air supply to the toilet and reduce the environmental impact in the toilet room. It is important that there are no other air-dependent installations used at the same time as the toilet, e.g. an extractor fan or fireplace. The Cinderella Freedom toilet draws air mainly from the underside of the toilet. It is therefore possible to have the air intake underneath the toilet. This allows you to insulate the air as much as possible in the toilet and minimise the environmental impact in the toilet room.

**NOTE!**

- The inlet vent’s minimum dimensions must be 160 mm (diameter)/201 cm².
- The vent must be open at all times when using the appliance. Remember to clean the vent at regular intervals.
- Make sure that there is no conflict between the toilet’s air supply and other installations, such as a fireplace or extractor fan.
- Do not use a separate ventilation fan or similar to extract air from the room where the toilet is installed when using the Cinderella Freedom toilet.
- If you have open ventilation under the toilet, it may be advisable to use a mesh over the hole to prevent insects and vermin from entering the toilet. Make sure that the mesh is not too fine – a minimum of 5 mm – as smaller mesh will impede the air flow.

**NOTE!**

If the installed air vent has an adjustable opening, always make sure to leave it open by a minimum of 75 mm (two clicks) when operating the toilet.

CONTENTS

1. GENERAL SECTION	3
1.1 INTRODUCTION	3
1.2 APPLICATION ACCORDING TO REGULATIONS	3
1.3 OPERATING INSTRUCTIONS GUIDE	3
1.4 LIMITATION OF LIABILITY	3
1.5 LISTINGS AND CERTIFICATIONS	3
1.6 ENVIRONMENTAL REQUIREMENTS	3
1.7 GENERAL SAFETY INSTRUCTIONS	4
1.8 APPLIANCE RATING PLATE	5
1.9 CINDERELLA ONLINE	5
2. INSTALLATION SECTION	6
2.1 UNPACKING YOUR CINDERELLA INCINERATION TOILET	6
2.2 MEASUREMENT SPECIFICATIONS	6
2.3 ORIGINAL INSTALLATION PACKAGES FOR YOUR CINDERELLA TOILET	7
2.4 INSTALLATION SPECIFICATIONS	8
2.4.1 SPECIFICATIONS OF PARTS AND MATERIALS	8
2.5 INSTALLING THE CINDERELLA INCINERATION TOILET	8
2.5.1 INSTALLING THE OUTLET PIPES	9
2.5.2 INLET AIR TERMINAL	10
2.5.3 INSTALLING THE ORIGINAL CINDERELLA FLUE TERMINAL CAP	11
2.5.4 GAS INSTALLATION	11
2.6 ELECTRICAL SPECIFICATIONS AND REQUIREMENTS	12
2.7 REMOVING THE TRANSPORTATION SAFETY STRAP	12
2.8 CHECKLIST TO VERIFY COMPLETE INSTALLATION	13
2.9 PERFORMANCE TEST TO VERIFY SYSTEM FUNCTIONALITY	13
3. USER SECTION	14
3.1 INTENDED USE AND HANDLING	14
3.2 GENERAL SAFETY	14
3.3 SAFETY WHEN OPERATING WITH GAS	14
3.4 SAFE OPERATIONS	14
3.5 CINDERELLA FREEDOM SAFETY FEATURES	14
3.6 IMPORTANT USER INFORMATION	15
3.7 THE CONTROL PANEL	16
3.8 USING THE CINDERELLA FREEDOM TOILET	17
3.9 OPERATING THE FRONT COVER AND ASH CONTAINER	18
4. GENERAL MAINTENANCE INSTRUCTIONS	19
4.1 END PRODUCT CHARACTERISTICS	19
4.2 CUSTOMER MAINTENANCE	20
4.2.1 EMPTYING AND CLEANING THE ASH CONTAINER	20
4.2.2 STEAM-CLEANING THE CATALYTIC CONVERTER	20
4.2.3 CLEANING THE BOWL	21
4.2.4 INSPECTING AND VACUUM CLEANING THE CATALYTIC CONVERTER	22
4.2.5 CLEANING THE APPLIANCE FLUE TERMINAL	22
4.2.6 RINSING THE CATALYTIC CONVERTER WITH HOT WATER	23
5. TROUBLESHOOTING AND FAQ	24
5.1 TROUBLESHOOTING TABLE	25
6. REPAIRS AND SPARE PARTS	26
6.1 SPARE PARTS LIST	26
6.2 WIRING DIAGRAM	26
7. WARRANTY	27

1. GENERAL SECTION

1.1 INTRODUCTION

It is essential to ensure proper ventilation in accordance with the guidelines in this manual to guarantee the functionality of your new Cinderella toilet. Improper installation may cause malfunction, wear and/or odours and will void the warranty. When installing the appliance, the technical and administrative regulations in the country in which it is installed must be adhered to.

1.2 APPLICATION ACCORDING TO REGULATIONS

This appliance is designed to incinerate bodily waste products and small sanitary products such as toilet paper and non-alcohol baby or face wipes.

This appliance must not be installed in a mobile or portable installation such as a mobile home, recreational vehicle or caravan.

1.3 OPERATING INSTRUCTIONS GUIDE

Please read this instruction manual carefully before installation and first use. Store these instructions in a safe place so you can refer to them when required. If you pass on the product to someone else, hand over this instruction manual along with it.

These instructions provide you with the necessary guidance for proper installation, handling and maintenance of the product. It is important that both the installer and the user familiarise themselves with the instructions given in this manual. The manual also contains information on professional maintenance and any necessary information for service and repairs.

A digital version of this document and further information can be found at www.cinderellaeco.com

1.4 LIMITATION OF LIABILITY

The manufacturer accepts no liability for damage in the following cases:

- Faulty installation
- Damage to the product resulting from incorrect connection voltage
- Alterations to the product without express permission from the manufacturer
- Use for purposes other than those described in the operating manual
- Non-observation of the operating and maintenance instructions
- Application not in accordance with the regulations or provisions
- Use of non-original bowl liners and spare parts

1.5 LISTINGS AND CERTIFICATIONS

The Cinderella Freedom has been extensively tested by DBI and SLG in accordance with the European standard for gas safety and electromagnetic compatibility.

1.6 ENVIRONMENTAL REQUIREMENTS

- Ambient temperature range: -20 to +40 °C
- Operating altitude: Tested to 1,500 m



CAUTION!

When the Cinderella toilet is installed, the minimum clearance to any combustible construction must be 50 mm from the sides and 50 mm from the rear.

1.7 GENERAL SAFETY INSTRUCTIONS



DANGER!

Safety instruction: Failure to observe this instruction could cause fatal or serious injury.



WARNING!

Safety instruction: Failure to observe this instruction could lead to injury.



CAUTION!

Failure to observe this instruction could cause material damage and impair the function of the product.



NOTE!

Supplementary information for operating the product.



DANGER!

- Do not spray aerosols in the vicinity of this appliance while it is in operation.
- Do not use or store flammable materials in or near this appliance.
- Do not place articles on or against this appliance.
- Do not modify this appliance.



- Do not operate the incineration toilet if it is visibly damaged.
- If the DC power cable for this toilet is damaged, it must be replaced by the manufacturer, customer service or a similarly qualified person in order to prevent safety hazards.
- Never use a naked flame to check the toilet gas connections for any leakage.
- This toilet may only be repaired by qualified personnel. Inadequate repairs may cause serious hazards.
- Only use LPG gas.
- Only operate the toilet with the pressure shown on the type plate on the back of the toilet.



WARNING!






- Danger of crushing! Do not place your hand on the hinge or underneath the toilet seat while open, as there is no soft-close function on the lid and seat.
- Do not empty the ash container when hot.
- Before activating, ensure that the power supply line and plug are dry.



- During transport, only hold the toilet by the toilet shell. Never hold the toilet by the gas connection, power cord, front cover, lid or seat or exhaust outlet.
- Check that the voltage specification on the type plate is the same as that of the energy supply.
- Only use power cables with a suitable cross-section.
- Danger of overheating! Always ensure sufficient ventilation so that the heat and emissions generated during incineration can dissipate from the flue pipe. Ensure proper air flow for the system. Always ensure sufficient ventilation into the toilet.
- Make sure that the toilet is sufficiently far away from walls or other objects so that air can circulate.

1.8 APPLIANCE RATING PLATE

The appliance rating plate can be found on the back plate of the incineration toilet. From this plate you can read the model identification, serial number, toilet ratings and support detail. You will need these details whenever you contact the customer service centre or when ordering spare parts.

<p>MANUFACTURER</p>  <p>Cinderella Incineration Toilets</p> <p>CINDERELLA ECO GROUP AS Sjøvikvegen 67, 6475 Midsund, NORWAY For sales and support call +4777711500 or visit our web www.cinderellaeco.com</p> <p>CINDERELLA FREEDOM MODEL: PM02CS03EU SERIAL:</p>	<p>Appliance Specifications</p> <p>VOLTAGE..... 12V DC CURRENT 4 A GAS:..... PROPANE FAN BLOWER:..... 12V DC GAS SUPPLY PRESSURE: 30 mBar CAPACITY..... 3-4 PEOPLE PR. HOUR CONNECTED LOAD 425 G/H EFFECT..... 2.86 kW EXHAUST SYSTEM CONSTRUCTION -B22 DEVICE CATEGORY 13 B/P YEAR OF MANUFACTURING..... 2021 DESIGNED FOR..... HOME/CABINS, SANITATION WELFARE UNIT</p>	    <p>For information on how to claim warranty, support and recycle our product visit www.cinderellaeco.com</p>
--	--	---

1.9 CINDERELLA ONLINE



REGISTER WITH "MY CINDERELLA"

When you register your toilet in "My Cinderella", you will receive relevant information about our products and available support systems, as well as special offers specifically tailored to your toilet model. In the event of theft, registered toilets will be in our manufacturer database.

Online Troubleshooter

A complete guideline to your toilet, providing useful advice and user improvements, enabling you to solve the most common issues on your own, without having to call for assistance.

Easy access to information

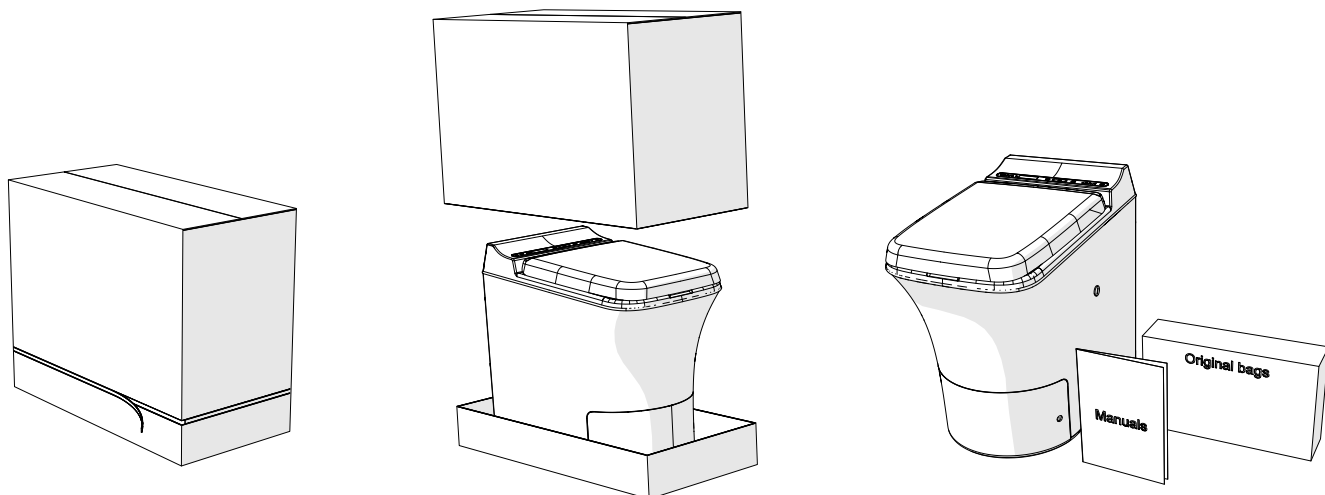
You can download product documentation from our online documentation centre, where you will find product manuals, service manuals and a Disassembly of Waste Electrical and Electronic Equipment (WEEE) manual.

Service and spare parts

Select country of origin and receive a list of local dealers where you can obtain service and spare parts.

2. INSTALLATION SECTION

2.1 UNPACKING YOUR CINDERELLA INCINERATION TOILET



NOTE!

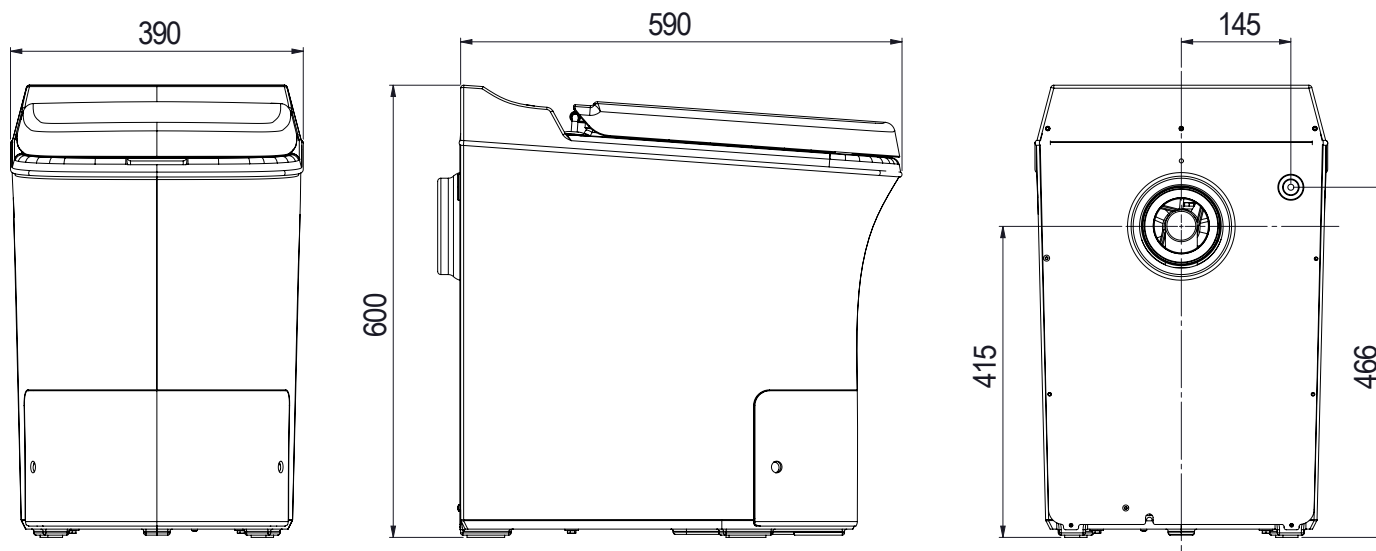
When unpacking the Cinderella toilet, use the pre-fixed strip on the bottom of the box. Release the strip all around the box and lift up the box.

INCLUDED ITEMS	QTY
Cinderella PM02CS03	1
Bowl liners	1
Product manual	1

2.2 MEASUREMENT SPECIFICATIONS

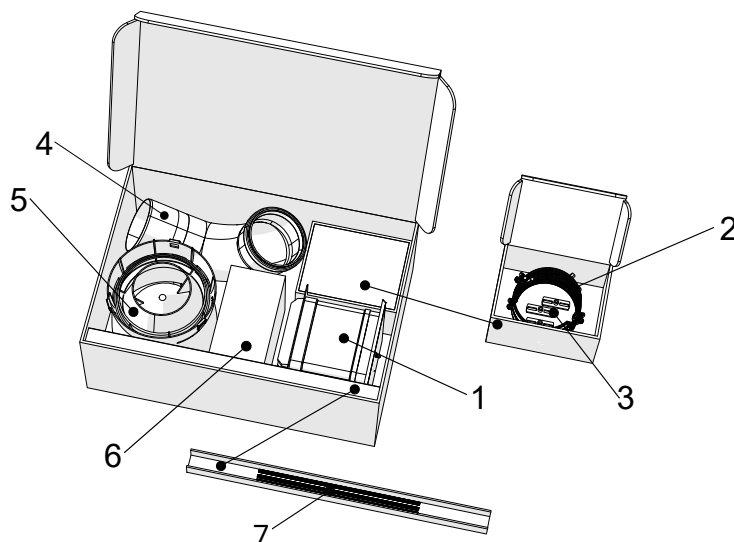
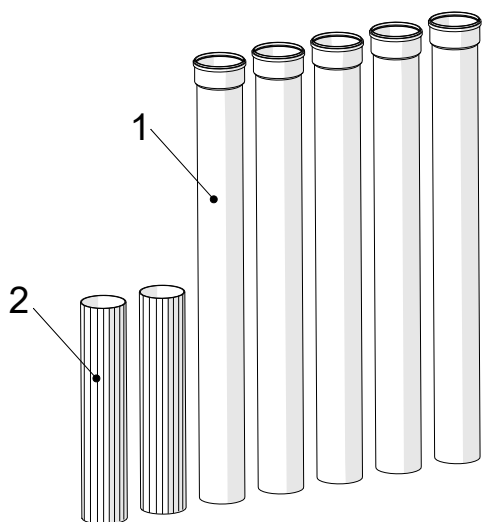
Height	600 mm
Seated height	540 mm
Width	390 mm

Depth	590 mm
Height centre outlet	415 mm



2.3 ORIGINAL INSTALLATION PACKAGES FOR YOUR CINDERELLA TOILET

Cinderella Original Installation Kit: We strongly recommend the use of the “Cinderella Original Installation Kit” when installing your appliance. This complete set includes necessary parts for an ideal installation, optimising the incinerating process and functionality of your toilet. The installation kit includes two separate boxes. Box no. 1 includes an optimised flue cowl and elbow, for increasing the system flow rate and incineration efficiency, as well as a specially designed 201 cm² air vent for optimised functionality. The kit also contains clamps to support the installation of the outlet pipes. Box no. 2 includes 7 x 110 mm UV-stabilised PP-quality pipes for installing the outlet ventilation.



CINDERELLA ORIGINAL INSTALLATION KIT		QTY
1	Male-female 1,066 mm flue pipe	5
2	Male-male 500 mm flue pipe	2

CINDERELLA ORIGINAL INSTALLATION KIT		QTY
1	Air vent, 160 mm (201 cm ²)	1
2	Support clamp	3
3	Wall mount rod	3
4	Elbow, 87° w/drain	1
5	Flue terminal cap	1
6	Pressure regulator kit*	1
7	Threaded rod, 30 mm	3

*Norway and Sweden only



NOTE!

- This manual will further explain and demonstrate how to optimally install your toilet, based on the parts included in the Original Cinderella Installation Kit. Should you desire to install your Cinderella appliance other than with our original pipes and parts, be sure that the parts you use comply with the specifications described under section 2.4.1 “Specifications of parts and materials”.
- In order to guarantee your Cinderella incineration toilet functions properly, it is essential to ensure proper ventilation in accordance with the guidelines in this manual. Installations deviating from the manufacturer specifications or the use of non-authorized parts in the installation of the appliance will cause malfunction, wear or odours and will void the warranty.

2.4 INSTALLATION SPECIFICATIONS

2.4.1 SPECIFICATIONS OF PARTS AND MATERIALS

ITEM	SPECIFICATIONS
Ventilation pipes	Cinderella Freedom is required to be installed with 110 mm pipes with a smooth inner surface and a minimum inner diameter of 102 mm. The pipe material must be specified for temperatures over 100 °C and preferably of a PP or CPVC type. We strongly recommend using the Original Cinderella PP-quality pipes.
Elbow (outlet air)	Cinderella Freedom is required to be installed with a smooth curved elbow that minimises the restriction of the air flow. We strongly recommend using the Original Cinderella elbow, 87° w/ drain.
Flue terminal cap	Cinderella Freedom is required to be installed with a flue terminal cap that prevents intrusion of rainwater and that has a minimum restriction of the air flow. Wind fans or similar are not to be used when venting the Cinderella incineration toilet. We strongly recommend using the Original Cinderella flue terminal cap.



NOTE!

- The inside of the ventilation pipe must be smooth and not embossed or grooved.
- Never use a mesh net in the ventilation pipe, as this might restrict the airflow in the system.
- The elbow must be accessible when installed, so that the drainage pipe can be rinsed and the outlet pipe cleaned.
- Cinderella Freedom is approved for use in bathrooms/wet rooms (IP 34 classified), but water must not be splashed over the external parts of the toilet.
- The toilet must be placed on a firm and level base. Your Cinderella appliance may be installed on a heated floor.

2.5 INSTALLING THE CINDERELLA INCINERATION TOILET

It is essential to ensure proper ventilation in accordance with the guidelines in this manual to guarantee the functionality of your new Cinderella toilet. Improper installation may cause malfunction, wear or odours and will void the warranty. Read each section carefully before starting the installation of the toilet. Always make sure that the work is carried out by professionals in accordance with local regulations.



CAUTION!

- Upon installation of the appliance, the technical and administrative regulations of the country in which the toilet is installed must be adhered to. We recommend that you contact your local dealer for planning and installing your Cinderella toilet.
- Never use bends in addition to the elbow.
- If the pipe perforates the roof surface, ensure that it is in compliance with building regulations.
- Do not use any flexible ducts or pipes when installing the Cinderella toilet.
- Never connect more than one appliance to the vent.

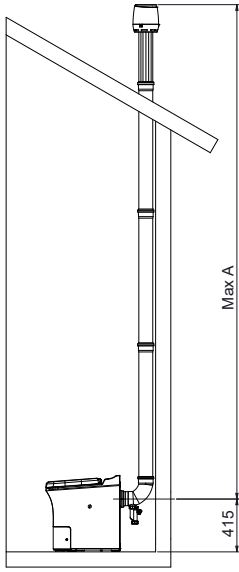


WARNING!

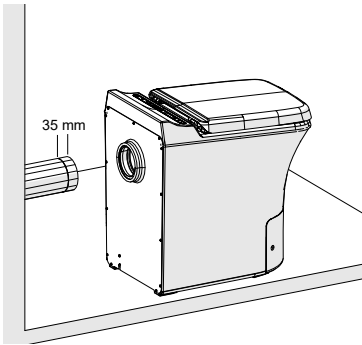
Before cutting any holes, always check that in doing so you will not cut through any electrical wiring or water pipes.

2.5.1 INSTALLING THE OUTLET PIPES

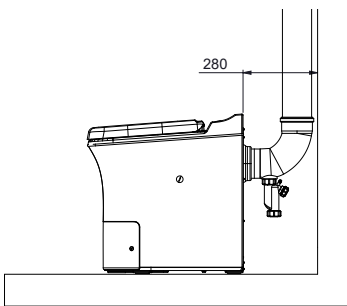
DIAMETER VENT PIPE	OUTLET DIRECTION	REFERENCE	BENDS	MAXIMUM PIPE LENGTH
110 mm	Horizontal flue pipe	C	(Not allowed)	1.0 m
110 mm	Vertical flue pipe	A	None	5.0 m



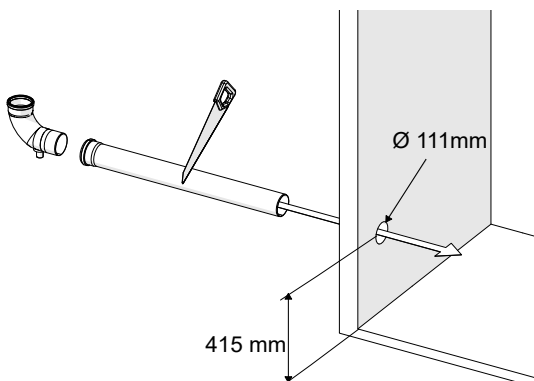
NOTE!
The centre of the appliance flue terminal is 415 mm from the floor level.



NOTE!
When adjusting the pipe length, please note that the pipe will enter 35 mm into the appliance flue terminal, and this will have to be calculated into the planning of your installation.



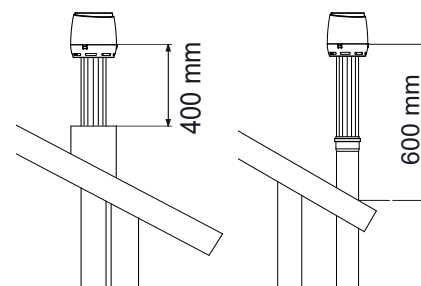
NOTE!
When installing the pipe vertically, straight up from the appliance, please note that the minimum distance from the wall to the toilet must be 280 mm.



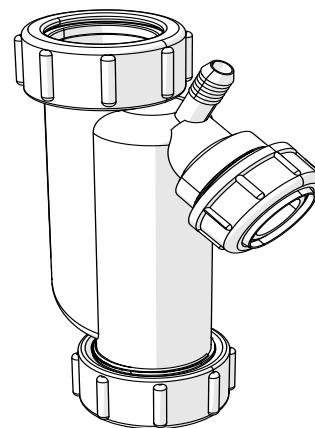
NOTE!
The Original Cinderella Installation Kit includes 5 x 1,066 mm pipes to be used on the outlet installation. The pipes are delivered with socket and gasket for simple installation. When installing the pipe through an outer wall, you will have to feed the pipe through from the outside.

**NOTE!**

- The pipe must always be installed vertically above the roof and extend at least 600 mm above the roof surface. If the outlet air pipe is to be enclosed (e.g. using metal siding), make sure that the end of the pipe extends at least 400 mm above the enclosure.
- If installing where snow is likely to accumulate, it may be necessary to extend the pipe further, and to secure accordingly. Keep in mind not to extend beyond the maximum allowed pipe length.

**NOTE!**

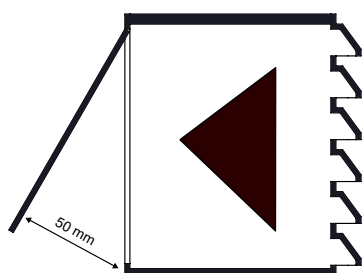
Cinderella supplies a specially designed “siphon” that fits onto the elbow provided in the installation kit. This item can be purchased as an accessory from any Cinderella dealer. If installation is done from inside, you will need to connect the siphon to the elbow piece to prevent condensation and rainwater from draining onto the floor. Failure to collect the condensation and empty it regularly may result in damage to the floor.

**2.5.2 INLET AIR TERMINAL**

An inlet air vent in accordance with manufacturer specifications is required to ensure adequate air circulation and the oxygen required for proper incineration. The Cinderella Original Installation Kit includes a specially designed air vent designed for optimal flow and increased product efficiency. The air inlet vent should preferably be installed as close to the Cinderella toilet as possible, to ensure a good air supply to the toilet and reduce the environmental impact in the toilet room. It is important that there are no other air-dependent installations used at the same time as the toilet, e.g. an extractor fan or fireplace. The Cinderella Freedom toilet draws air mainly from the underside of the toilet. It is therefore possible to have the air intake underneath the toilet. This allows you to insulate the air as much as possible in the toilet and minimise the environmental impact in the toilet room.

**NOTE!**

- The inlet vent’s minimum dimensions must be 160 mm (diameter)/201 cm².
- The vent must be open at all times when using the appliance. Remember to clean the vent at regular intervals.
- Make sure that there is no conflict between the toilet’s air supply and other installations, such as a fireplace or extractor fan.
- Do not use a separate ventilation fan or similar to extract air from the room where the toilet is installed when using the Cinderella Freedom toilet.
- If you have open ventilation under the toilet, it may be advisable to use a mesh over the hole to prevent insects and vermin from entering the toilet. Make sure that the mesh is not too fine – a minimum of 5 mm – as smaller mesh will impede the air flow.

**NOTE!**

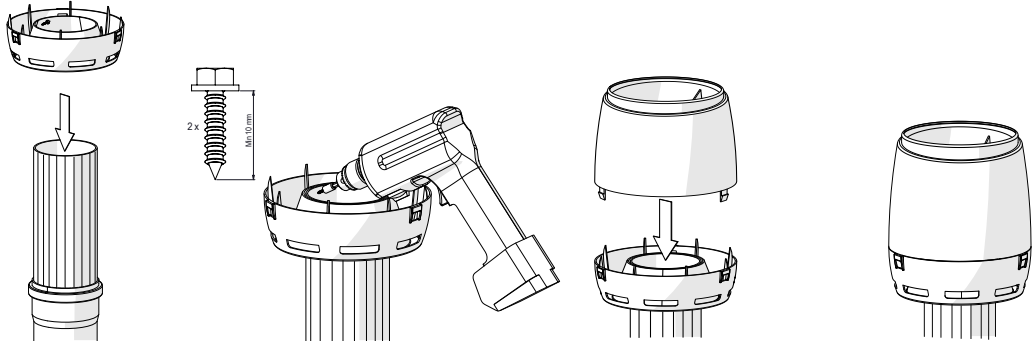
If the installed air vent has an adjustable opening, always make sure to leave it open by a minimum of 75 mm (two clicks) when operating the toilet.

2.5.3 INSTALLING THE ORIGINAL CINDERELLA FLUE TERMINAL CAP



NOTE!

The Cinderella Original installation Kit includes a flue terminal cap that is designed for optimal flow and increased product efficiency. This cap consists of two parts, where the base section can be fixed to the pipes with stainless screws or glue for easy connection and removal for maintenance of the ventilation pipes. Use the 500 mm pipe included in the Cinderella installation kit as the last section of the ventilation pipe. This will utilise the connection of the flue terminal cap.



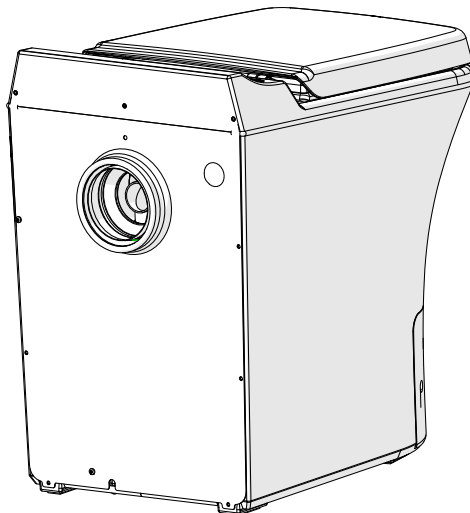
2.5.4 GAS INSTALLATION

When connecting gas to the toilet, make sure to use the appropriate gas regulator for your area. The connection type on the appliance is ¼" NTP.



WARNING!

- Only operate the toilet at the pressure shown on the type plate on the back of the toilet.
- Only operate the toilet with the type of gas shown on the type plate on the back of the toilet.
- The toilet is suitable only for indoor installation.



SPECIFICATIONS	VALUE	NOTES
Fuel consumption	160-190 g	Per incineration
Inlet gas pressure	30 mBar	
Gas type	LPG	
Gas connection appliance	G ¼" LH	
Orifice size	1 mm	

2.6 ELECTRICAL SPECIFICATIONS AND REQUIREMENTS

The correct voltage, frequency and amperage must be supplied to the appliance from a dedicated, earthed circuit that is protected by a properly sized circuit breaker. The proper voltage, frequency and amperage are listed in this manual, and on the product rating plate on the back of the toilet. Please note: This toilet requires a 12 V 4 A DC supply. If you need to operate it from a 240 V AC power point (GPO), please request the approved power supply from your dealer.

Power requirements	INPUT	CURRENT	FUSE
	12 V DC (11–14.4 V)	4 A	10 A
Power consumption	HIBERNATION MODE	STANDBY MODE	INCINERATING MODE
	0.005 A	0.09 A	1.3 A
Connection polarity	CROSS-SECTION	POSITIVE	NEGATIVE
	2 mm ²	Red	Black

The respective negative and positive cables of the DC connection must not be joined to one another in a camper, as this can cause electrical interference and damage to electrical components. The 12 V supply must be connected on its own circuit direct to the battery, with a 10 A fuse at the start of the circuit. Use the 12 V wiring guide to calculate the correct cable size according to the cable length.

12 V WIRING GUIDE						
Amps	1 m	2 m	5 m	6 m	8 m	10 m
4	2 mm ²	2 mm ²	2 mm ²	4 mm ²	4 mm ²	4 mm ²

When connecting the toilet to the mains DC power, take the following into consideration:

- Make sure the cable has sufficient current rating for the expected load in the circuit, including a margin of safety.
- Make sure the cable cross-section is dimensioned for the intended cable run length, and that the cable will not cause the voltage to drop.
- Always check the polarity of the cables before connecting, as reverse polarity connection is not covered under warranty.



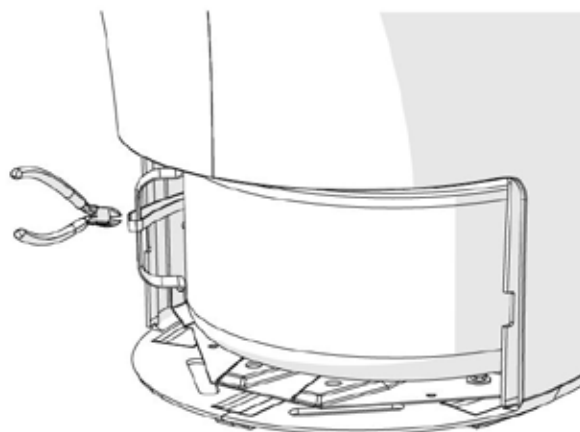
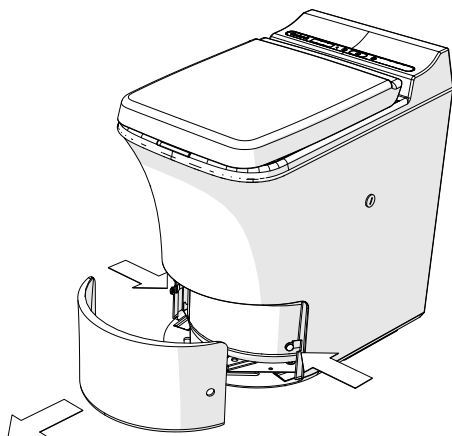
NOTE!

- The connection cable must be laid in such a way that it does not come into contact with sharp edges.
- Changes to the internal electrical installation or the connection cable must be performed by a professional tradesman or a similarly qualified person in order to prevent safety hazards.

2.7 REMOVING THE TRANSPORTATION SAFETY STRAP

The ash container is equipped with a safety strap that must be removed before use:

1. Remove the front cover.
2. Cut away and remove the plastic straps attaching the ash container to the steel frame.



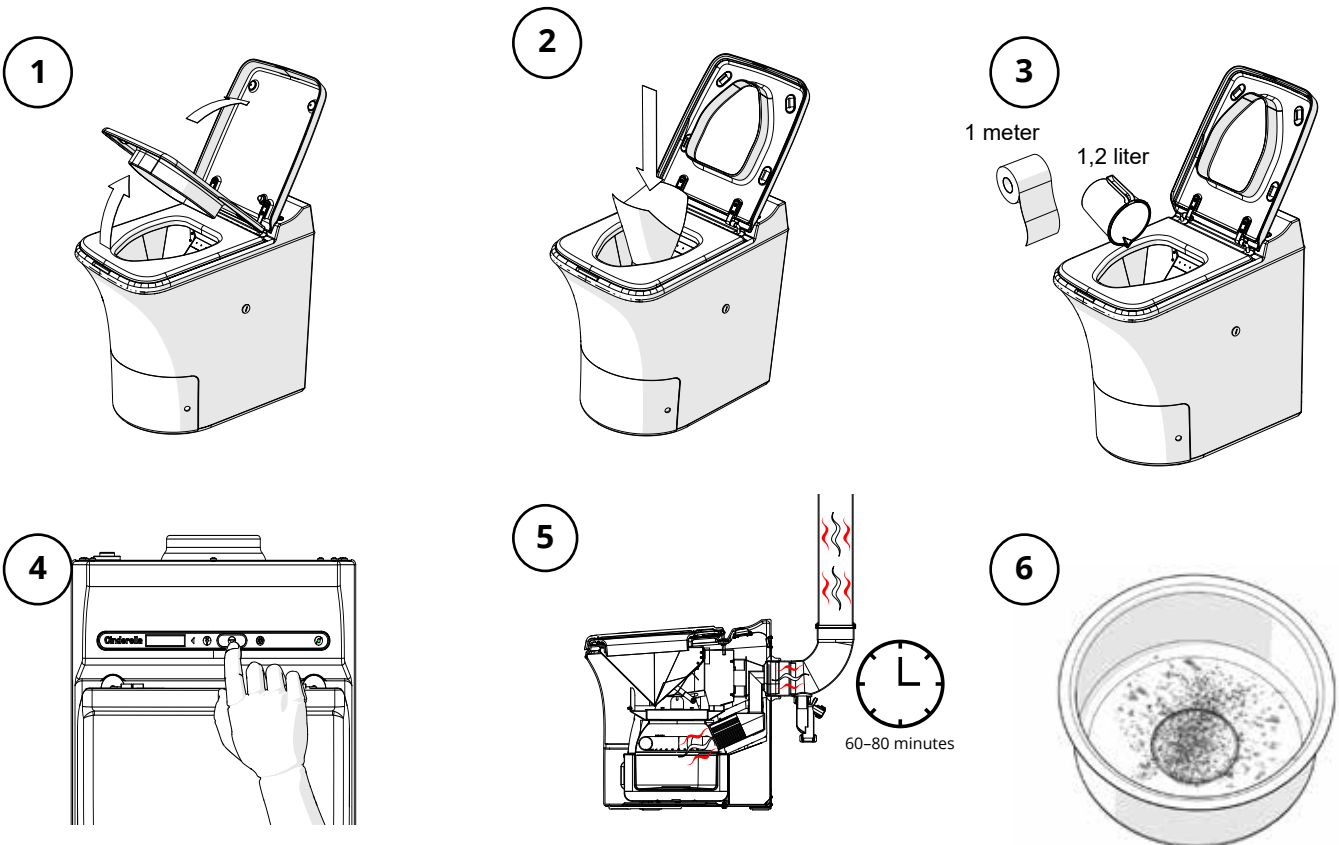
2.8 CHECKLIST TO VERIFY COMPLETE INSTALLATION

CONTROL ITEMS	CONFORMANCE
The connected voltage is in accordance with the appliance rating plate	
The connected gas pressure is in accordance with the appliance rating plate	
The appliance is installed in accordance with manufacturer specifications	
The flue pipe is installed according to manufacturer specifications	
The flue termination is no less than 600 mm from the roof surface	
Safe draining "siphon" is installed where condensation is likely to accumulate	
Flue pipe material is installed according to manufacturer specifications	
Flue cap is installed according to manufacturer specifications	
Inlet air is in accordance with manufacturer specifications	

2.9 PERFORMANCE TEST TO VERIFY SYSTEM FUNCTIONALITY

When the "Start" button is pressed, the incineration cycle will be activated. The estimated incineration time for the verification test is approximately 60–80 minutes. The yellow light will be lit when the incineration is ongoing, and the complete test should be completed without any fault indications or system interruptions. The toilet will have to cool down to the point that the fan has stopped before the ash container can be removed. The cooling phase can take from 60–90 minutes, depending on the ambient cooling temperature.

The end result should only be fine white dust. Any end results deviating from this or an incineration time exceeding 90 minutes may indicate a restriction in the flue vent or a lack of oxygen. Check that the installation is in accordance with the manufacturer specifications presented in section 2 of this manual.



WARNING!

The ash container will get very hot while incinerating. Do not remove the front lid until the toilet has cooled completely and the fan has stopped.



NOTE!

- The performance test is designed to be performed when the toilet has not been used. Results may vary when performing this test on used toilets.

3. USER SECTION

3.1 INTENDED USE AND HANDLING

The Cinderella Freedom toilet is intended for indoor installation and use in leisure homes such as cabins, second homes, outhouses, site welfare units, boathouses and pool houses. The toilet is solely designed to incinerate bodily waste products and small sanitary products such as toilet paper, sanitary pads and non-alcohol baby, face and cleaning wipes. Using the Cinderella Freedom to incinerate other items constitutes misuse and will void your warranty.

Do not put the following items into the toilet:

- Excessive amounts of paper of any kind
- Chlorine-based cleaning agents
- Alcohol cleaning wipes
- Newspaper
- Paper towels
- Flammable liquids or materials
- Cigarette lighters
- Cigarettes or cigars
- Petrol
- Alcoholic drinks or liquors
- Alcohol or rubbing alcohol
- Nail polish remover
- Lighter fluid
- Lamp oil / kerosene
- Aerosol containers
- Glass or plastic bottles or containers etc.

3.2 GENERAL SAFETY



DANGER!

- Do not operate the incineration toilet if it is visibly damaged.
- If the connection cable for the toilet is damaged, it must be replaced by the manufacturer, customer service or a similarly qualified person in order to prevent safety hazards.
- This incineration toilet may only be repaired by qualified personnel. Unauthorised repairs can result in considerable danger or damage to the toilet.
- Cleaning and user maintenance may not be carried out by unsupervised children.
- Do not use any explosive substances or flammable cleaning agents when maintaining the toilet.

3.3 SAFETY WHEN OPERATING WITH GAS



DANGER!

- Never use an unshielded flame to check gas-bearing parts and pipes for leakage, as this presents a risk of fire or explosion.
- In case of gas odour:
 - Close the gas supply stopcock and the valve on the cylinder.
 - Open all windows and leave the room.
 - Do not turn any electrical switches on or off.
 - Put out any naked flames.
 - Have the gas system checked by a specialist.

3.4 SAFE OPERATIONS



WARNING!

- The ash container in the toilet will become very hot when the toilet is in use. Make sure the safety cover is in place when the toilet is in use. Do not empty the ash container until the toilet has cooled completely.
- The seat does not have a soft-close function. Take care not to crush your hands or fingers when closing the seat or lid.

3.5 CINDERELLA FREEDOM SAFETY FEATURES

- The incineration process is inactive while the toilet lid is open. The incineration will not start until the seat and lid are closed.
- The hatch to the incineration chamber CANNOT remain open while the toilet is still hot (e.g. during cleaning). This is only possible when the toilet has cooled down and the fan has stopped.

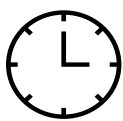
- Should a ventilation problem arise and the internal temperature of the toilet increases to more than 105 °C, incineration will be interrupted and a warning message displayed. This situation requires a manual reset to ensure the ventilation issue is addressed before the toilet can be used again.
- If the ash container is improperly positioned after emptying, incineration will not start and a warning light and message will be displayed.
- If the combustion chamber hatch mechanism gets jammed or is prevented from closing properly, incineration will not start and an error message will be displayed.
- The Cinderella Freedom's smart software includes a "watchdog" function that monitors the temperature while incineration is taking place. If any deviations from the normal temperature range are detected, this will immediately result in the incineration stopping and a warning message being displayed.

3.6 IMPORTANT USER INFORMATION



NOTE!

- Always remember to place a new liner in the toilet bowl before use, one liner per visit.
- The toilet lid must always be closed when the toilet is not in use. Incineration will not start or continue until the lid has been closed.
- The incineration cycle could take up to 180 minutes from the most recent visit.
- The fan will continue to run until incineration is completed and the internal temperature of the toilet has returned to the normal range. The cooling phase can exceed 120 minutes after incineration is completed, depending on the temperature of the air provided for cooling.
- Your Cinderella toilet may be used at any point during the incineration or cooling processes. Incineration is interrupted during use. Be sure to close the lid and press "Start" at the completion of each visit.



Capacity: 4 persons

The Cinderella Freedom toilet is designed to handle up to four visits per hour. To avoid overload, more than four visits per hour is not recommended. Overloading the toilet with many visits in a short period of time, without completing an incineration cycle, can result in odours and leakage, and may damage the toilet.



Emptying frequency

The total liquid capacity of the system's waste container is 5 L. The ash container should be emptied frequently (once a week) for best operation. This ensures more efficient incineration and helps keep the catalytic converter cleaner.

If your ash container has not been removed (by weekly emptying routines), your Cinderella Freedom will display a message to empty the container after 90 incineration cycles, and will lock out further visits if not emptied after 120 visits. We recommend that you empty the toilet as often as possible to ensure better incineration efficiency and less wear of the product.

Failing to empty the ash container when full may cause damage to the toilet and void your warranty.



Preparing your toilet for a lengthy period of non-use

In cases of longer periods of non-use, the waste must be incinerated, and the ash container emptied.



Short period of increased use

Should the situation require an unusually high number of guests to use the toilet for a short period of time, please follow these tips:

1. Empty the ash container completely before guests arrive.
2. Preheat the toilet before use by opening and closing the lid then pressing the "Start" button.
3. Ensure guests are instructed to use a bowl liner and press "Start" after every visit.
4. Check regularly to ensure the toilet lid is closed and the yellow incineration light is still lit.
5. You may need to run an extra incineration cycle or two before emptying the ash container to ensure that the waste has been fully incinerated.

3.7 THE CONTROL PANEL

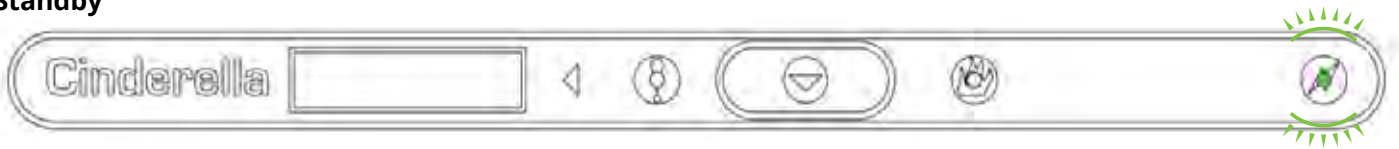
The control panel is equipped with a combination of light, sound and display messages that will give the best possible user experience. There are a number of light and sound combinations that will tell the user about the status of the system. It is important that all users familiarise themselves thoroughly with these signals before use. An overview of all the light and sound signals can be found in the troubleshooting table in section 5.1.



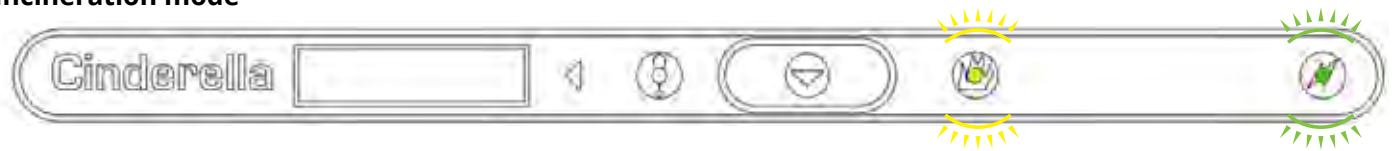
NOTE!

- A green light indicates that the toilet is connected to the power supply. When only the green light is lit, the toilet is in standby and ready for use.
- A yellow light indicates an ongoing incineration process and will light constantly while the toilet is in incineration mode.
- A red light indicates interruption and will alert the user that the toilet is no longer incinerating or in standby.

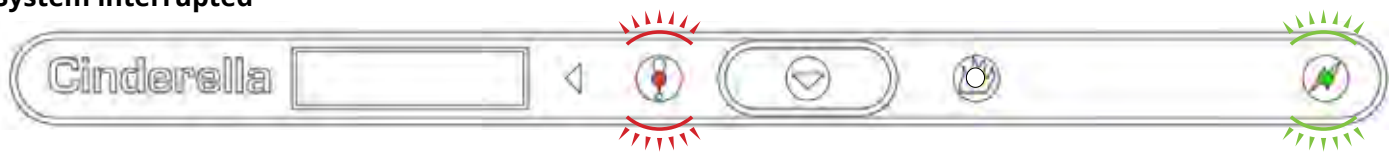
Standby



Incineration mode



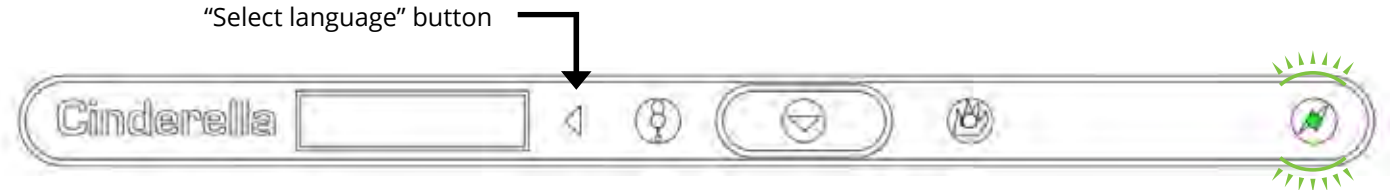
System interrupted



Selecting your language

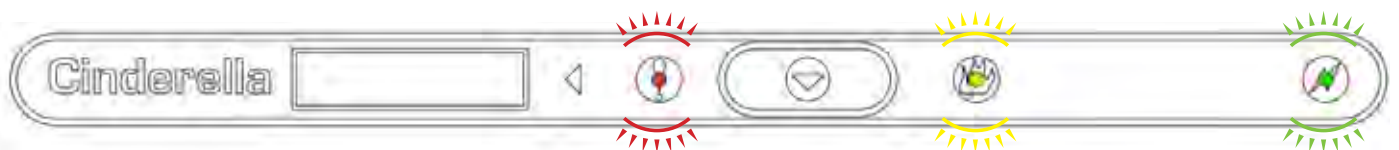
Hold down the "Select language" button for three seconds until "Language" is displayed on the first text line. The current language will be displayed on the second line. Push the "Select language" button repeatedly until the desired language is displayed. The new language will automatically be saved a few seconds after you have chosen your language, and the toilet will resume operation.

"Select language" button



Emptying indicator

Your Cinderella Freedom will indicate when it is time to empty the ash container. The display will read "EMPTY THE ASH CONTAINER" and you will hear three short beeps when the toilet lid is opened. If not emptied within a certain amount of uses, the toilet will lock down. At this point the yellow, red and green lights are constantly lit and the display will read "TOILET LOCKED CONTAINER FULL". You will hear three short beeps every ten seconds until the ash container is emptied.



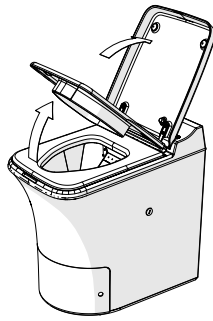
3.8 USING THE CINDERELLA FREEDOM TOILET

1



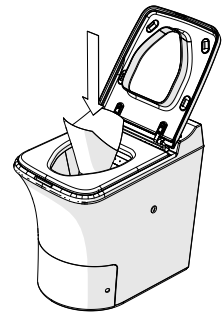
1. Check that the green light on the control panel is lit, indicating the unit is powered and ready for use.

2



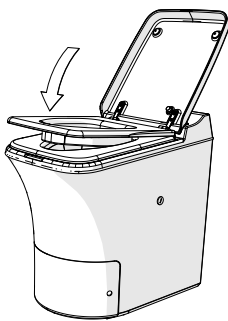
2. Lift the toilet lid and seat. A red light starts flashing. The ventilation fan starts.

3



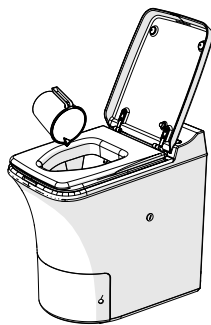
3. Place a bowl liner in the bowl. Use a new bowl liner for every visit.

4



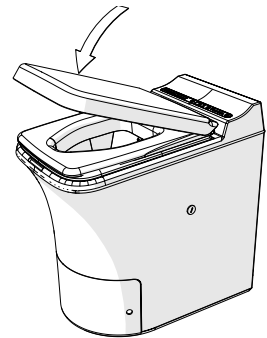
4. Lower the seat. The toilet is ready for use.

5



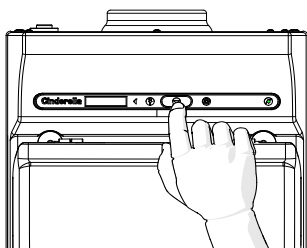
5. Use the toilet as usual. If little waste is produced, it may be helpful to pour some water into the bowl to add weight.

6



6. Close the toilet lid.

7



7. Push the "Start" button to drop the bowl liner and its contents into the incineration chamber. Incineration begins as soon as the hatch is closed. The toilet is now ready for the next user.

8



8. A constant yellow light will display during active incineration. The toilet may be used at any point. This will temporarily interrupt incineration. Incineration time may vary based on the number of visits and amount of waste.

3.9 OPERATING THE FRONT COVER AND ASH CONTAINER



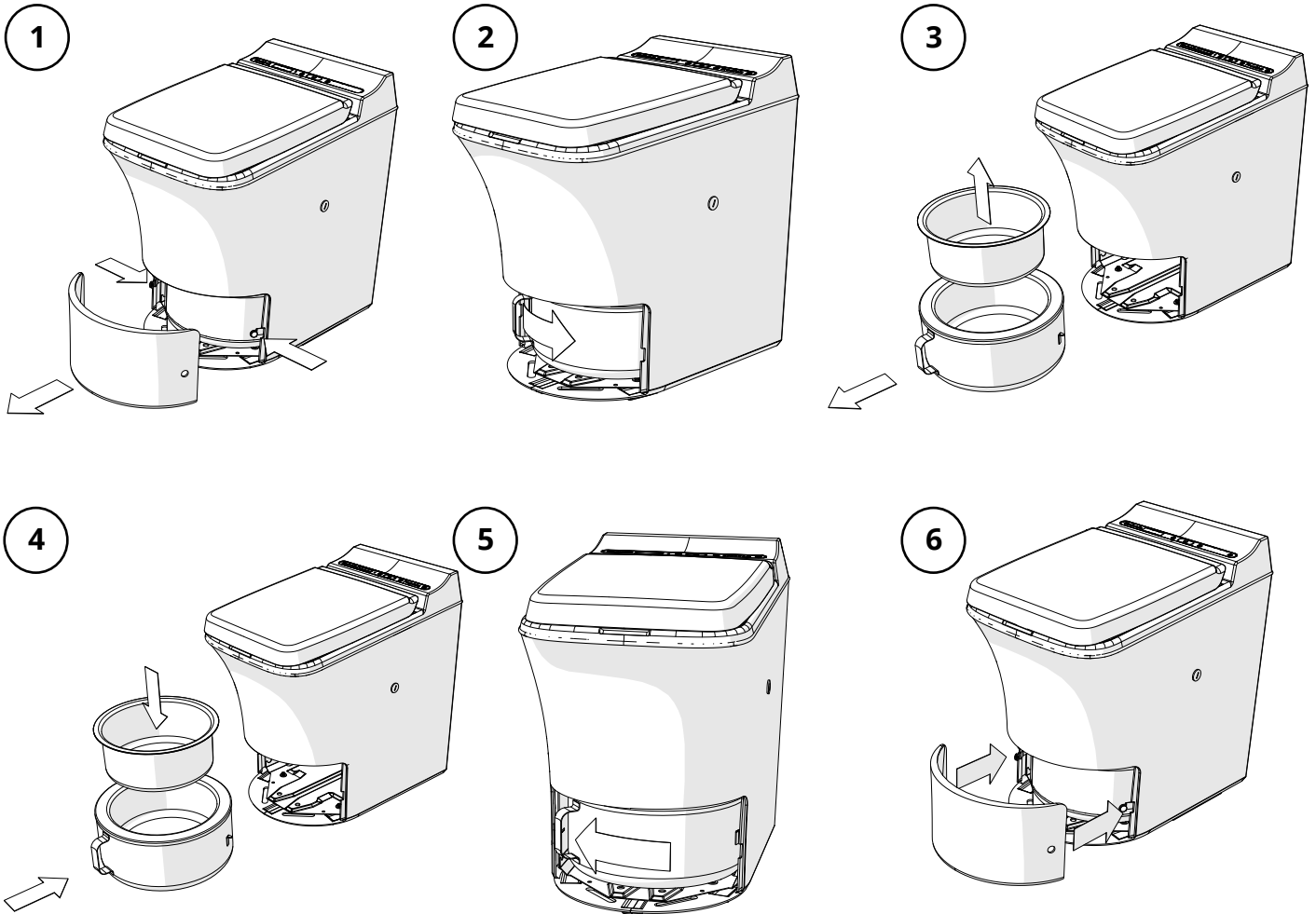
WARNING!

Only operate the ash container when the toilet is cooled and in standby mode.



NOTE!

Please see the maintenance section for instructions regarding cleaning and emptying the ash container.



4. GENERAL MAINTENANCE INSTRUCTIONS

This manual includes both customer maintenance and the maintenance to be performed by professionals in accordance with the necessary expertise and authorisations.

A smooth-running air circulation system is critical to keep your toilet functioning properly. Particles generated during the incineration process can clog the catalyst and exhaust pipe over time, and it is important to regularly maintain these parts to ensure proper functionality.

In order to ensure optimal operation and extend the lifetime of your Cinderella Freedom appliance, you will need to set aside a little time for preventive maintenance. Good maintenance routines will give you lower operating costs and cause less wear on the product. We strongly advise our customers to perform frequent maintenance as follows:

1. Empty the toilet frequently. Do not base your use on the maximum limit of the appliance.
2. Always clean the ash container and insert when emptied (see section 4.2.1).
3. Always perform the steam cleaning after each box of bowl liners (500 uses), preferably after each emptying and washing of the ash container (see section 4.2.2).
4. Always observe the end result characteristics when emptying the toilet. Deviations in the end result may indicate the need for maintenance or service (see section 4.1).

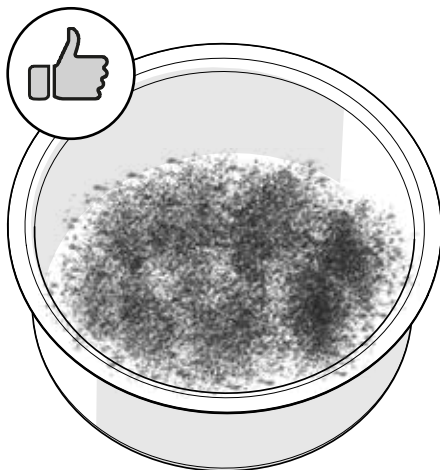


WARNING!

Before performing maintenance, always make sure that the toilet is not in incineration mode and that the toilet is sufficiently cooled.

4.1 END PRODUCT CHARACTERISTICS

The residual waste, or "ashes", will consist of pathological residue, salts and minerals, and will therefore often be perceived as hard and crystallised. There should be no visible signs of paper or flaky layers of unburned waste. The ashes should be a combination of white and a dark shade of grey. If there are larger deposits of black unburned waste, humidity or paper when emptying the toilet, please start an additional incineration without inserting paper or water. When the incineration is completed, empty the ash container and perform the maintenance procedures as instructed in this manual.

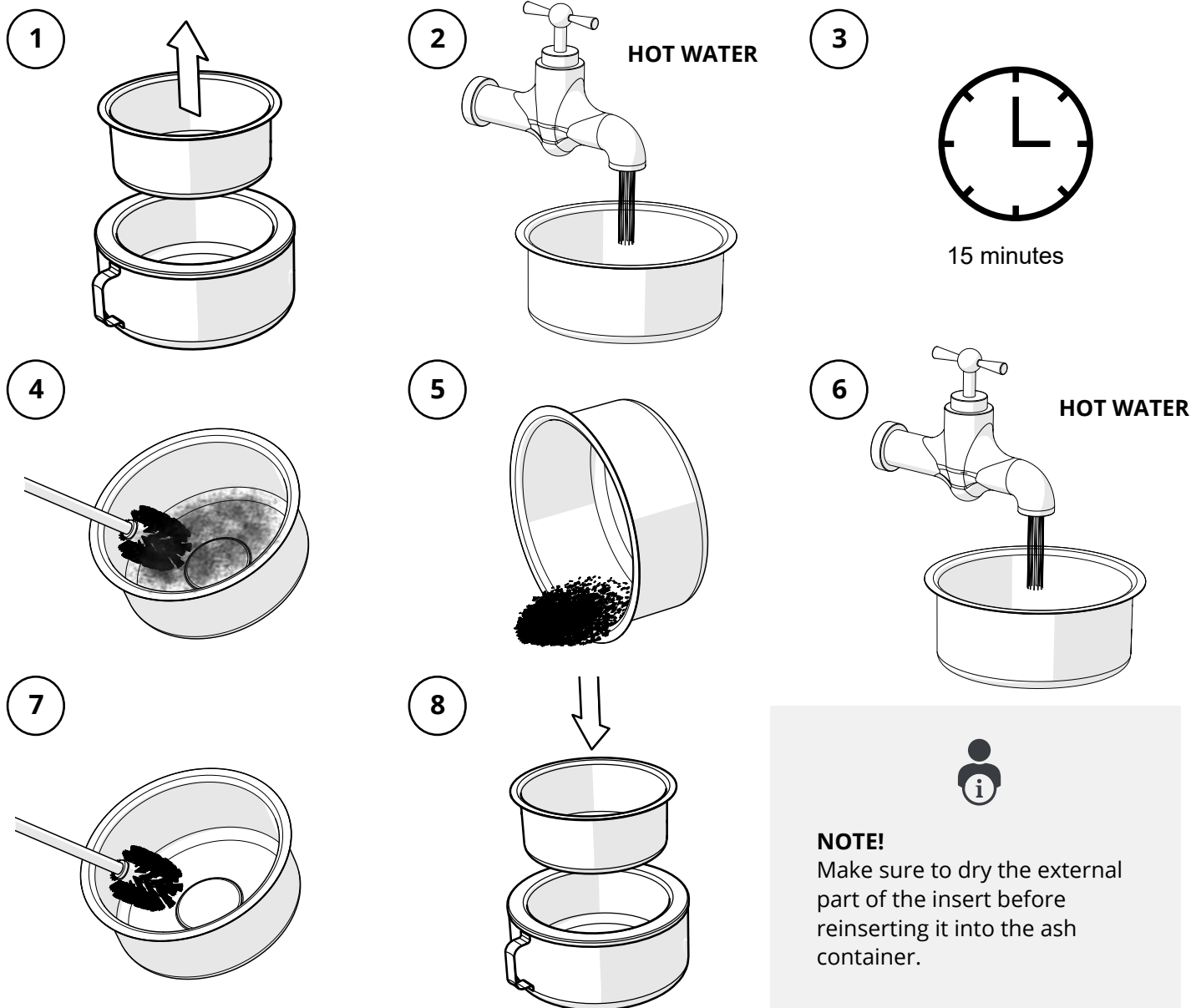


CAUTION!

- The ash is not suitable for use as fertiliser or compost. It should be disposed of in your household waste in accordance with relevant public regulations.
- The remaining ash is sterile and safe to handle when it has been incinerated to a light colour. If the ash is black and flaky or the incineration cycle was incomplete, run an extra incineration cycle to ensure that the ash has been fully incinerated. If the problem persists, see the troubleshooting section for further advice.

4.2 CUSTOMER MAINTENANCE

4.2.1 EMPTYING AND CLEANING THE ASH CONTAINER



CAUTION!

Do not use any sharp tools or objects when cleaning the ash container insert, as this will damage the insert and reduce its service life.



NOTE!

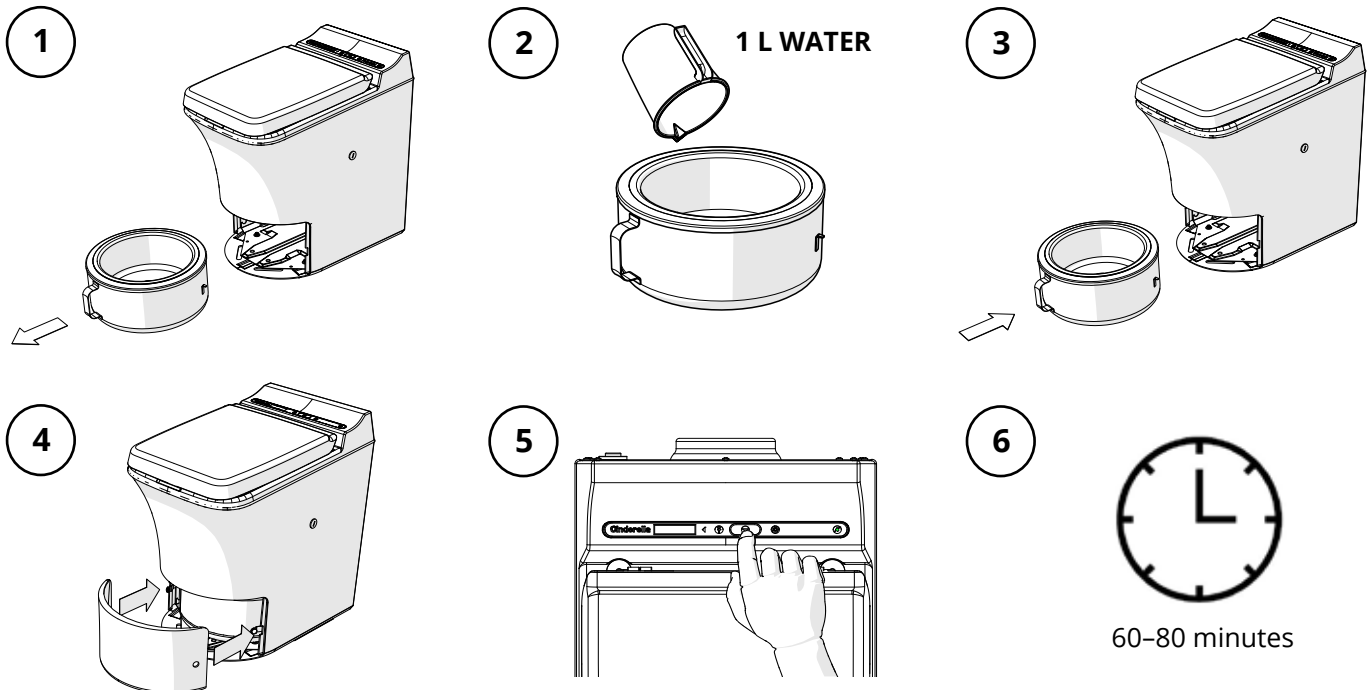
- In order to preserve the functionality of your toilet in the best possible way, we recommend that you carry out the “steam cleaning” procedure in accordance with section 4.2.2 every time you empty and wash the insert. This will prevent the possible accumulation of tar and unwanted deposits in the catalytic converter and toilet exhaust system.
- When emptying the toilet, make sure that the mains power is connected. Emptying the appliance without power will not enable the system to reset the use counter.

4.2.2 STEAM-CLEANING THE CATALYTIC CONVERTER

Recommended frequency: When emptying the ash container or at least every 500 uses. To perform steam cleaning:

1. Ensure that the toilet is cold and the ash container has been emptied and cleaned (see section 4.2.1).
2. Remove the front cover and release the ash container.
3. Pour approximately 1 L of clean water into the toilet insert.

4. Insert the ash container carefully without spilling any water, and attach the front cover.
5. Lift the lid and verify that the fan starts spinning.
6. Press "Start" to begin an incineration cycle.
7. The water will start to boil and the steam will clean out any debris in the catalytic converter. This system cleaning will normally take 60–80 minutes.

**NOTE!**

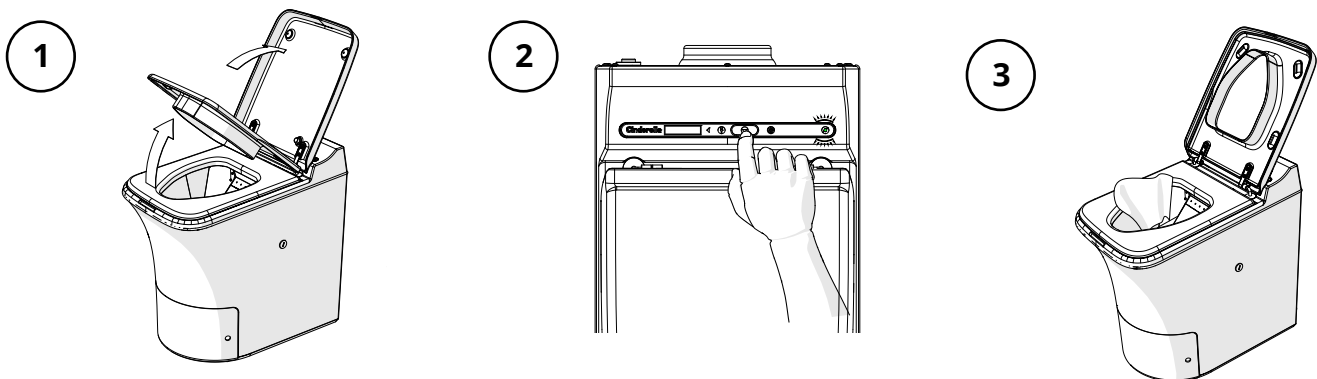
Do not use the toilet during the maintenance procedure, as this will impair the function of the cleaning. The toilet can be used when the toilet returns to standby mode.

4.2.3 CLEANING THE BOWL

Recommended frequency: as required for cleanliness and when emptying the ash container.

To clean the bowl:

1. Open the toilet lid.
2. Press and hold the "Start" button for three seconds to open the hatch to the washing position.
3. Use moist paper, water and a mild cleaning agent as required. Close the lid and start the incineration.

**DANGER!**

Do not use flammable cleaning agents to clean the bowl. Some metal edges may be sharp. The toilet needs to be cooled and in standby mode before cleaning the bowl.

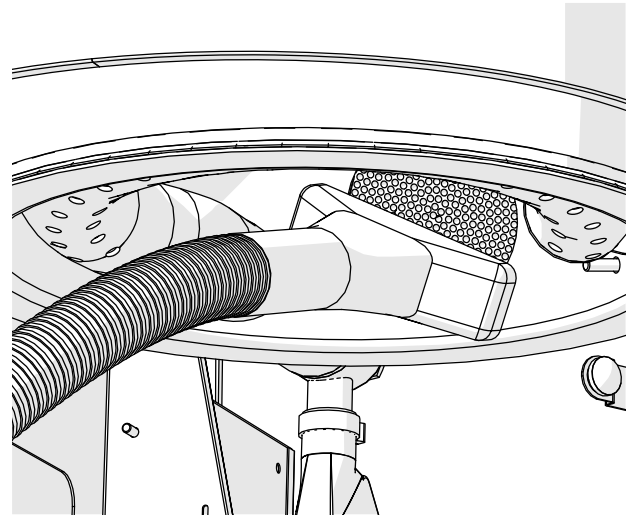
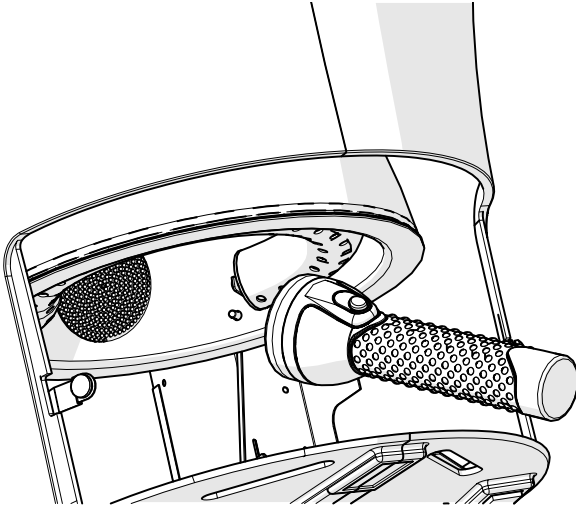
**CAUTION!**

Do not use chlorine-based cleaning agents to clean the bowl. Chlorine is extremely harmful for the catalytic converter and if put into the toilet it may cause the catalyst to malfunction.

4.2.4 INSPECTING AND VACUUM CLEANING THE CATALYTIC CONVERTER

Recommended frequency: Every 500 uses.

The catalyst is the primary air duct between the incineration chamber and the appliance flue terminal. Any accumulations of particles in the catalytic converter will reduce the flow rate and the toilet efficiency. It is therefore important to ensure that the catalytic converter is open at all times. Any changes in incineration time and/or incineration efficiency may be due to dense catalytic conversion. The best method to easily clean the catalyst is to perform "steam cleaning" as described in section 4.2.2. You can also inspect the front of the catalyst by removing the ash container and illuminating the combustion chamber from the inside. Any particles and accumulations can be removed using a vacuum cleaner.



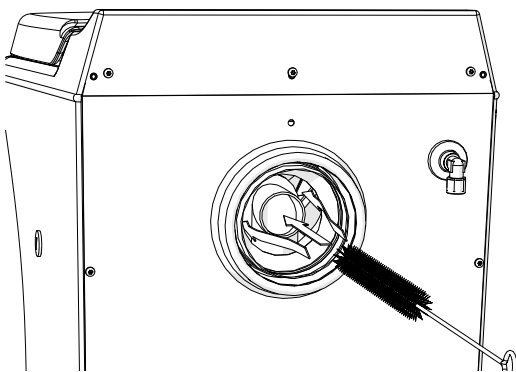
NOTE!

Clear signs of corrosion or deformity of the catalytic converter will indicate that the catalytic converter must be replaced. Contact your local service provider to arrange for service.

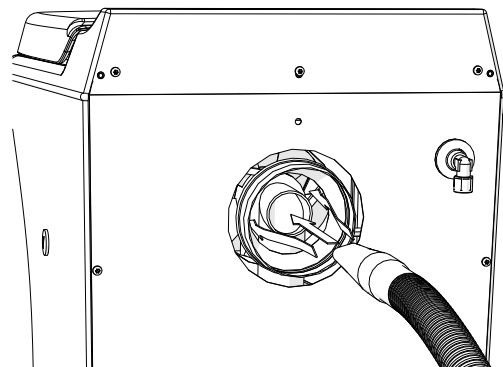
4.2.5 CLEANING THE APPLIANCE FLUE TERMINAL

Recommended frequency: at least every 500 uses.

1. The appliance will have to be disconnected from the flue pipe and power source.
2. Clean the flue terminal with a flexible brush. It is important that you clean both the exhaust pipe and surrounding venturi all the way back to the fan blades to get sufficient air flow.
3. Remove the ash container and clean out any debris in the container.
4. Use a vacuum cleaner to extract the remaining debris in the exhaust pipe and catalytic converter.
5. Reconnect the appliance to the flue pipe and power supply.
6. Install the ash container and front cover.
7. It is recommended that you perform a steam cleaning as described in section 4.2.2 after performing the flue terminal maintenance.



CLEAN EXHAUST AND VENTURI

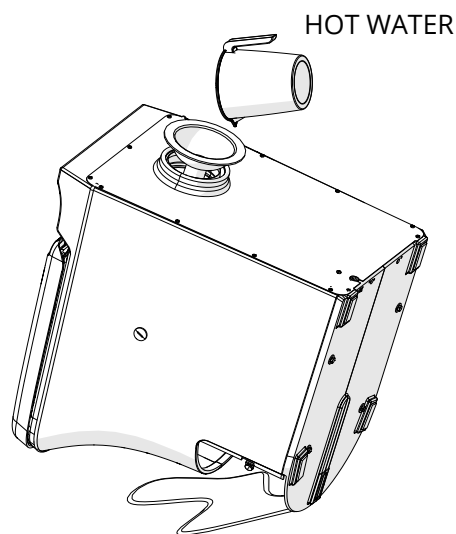


VACUUM EXHAUST AND VENTURI

4.2.6 RINSING THE CATALYTIC CONVERTER WITH HOT WATER

Rinsing the catalytic converter with water may be necessary in situations where steam cleaning does not remove the particles or bad odours. This procedure requires heavy lifting and a facility where spillage of water is acceptable. Make sure to perform steps 1–4 in the “Cleaning the flue terminal” procedure and follow the steps as follows.

1. Place the toilet where it is OK to spill water, e.g. where there is a suitable drain, outside or in a bath. Use the specially designed Cinderella funnel, or a funnel that fits in the exhaust pipe. Tilt the toilet forward and pour 2–3 L of hot water through the exhaust pipe and catalyst. The excess water should be clean at the end of the rinsing process. If necessary, use more water to properly clean the system.
2. Repeat step 1 4–5 times until the water is clean and no crystals or other obstructions can be spotted when inspecting the catalyst (see section 4.2.4).
3. Reconnect the appliance to the flue pipe and power supply.
4. Install the ash container and front cover.
5. Perform the performance test as described in section 2.8.



NOTE!

Before disconnecting the appliance and rinsing the system with hot water, inspect the catalytic converter and perform steam cleaning in accordance with section 4.2.2. If the catalytic converter is still clogged, or odour is still noticeable when incinerating, perform the system rinsing in accordance with section 4.2.6.



CAUTION!

The front of the outer shell is thin and should therefore not be allowed to carry the entire weight of the toilet. Tilt the appliance gently, and make sure that the toilet is placed in such a position as to protect the toilet shell. It is advised that two people perform this operation together, one holding the toilet while the other rinses the catalytic converter.

5. TROUBLESHOOTING AND FAQ



WARNING!

Service must be performed in accordance with all state, municipal and local codes. If you are unsure of the regulations in your area, please contact your nearest dealer or service representative for further instructions. The power should be disconnected when performing all servicing and maintenance on the toilet.

Online troubleshooter module

The sound and light signals on the toilet control panel indicate the operating status of the toilet. Downtime and faults in the toilet will be notified with various sound and light signals as described in section 5.1 in this manual. We have gathered the most common errors and problems in a online troubleshooter, so that you can easily get answers to what is wrong with your toilet, and get suggestions on how you can solve the problem yourself.

Out of gas

Failure to incinerate properly and a flashing yellow display light may indicate that the propane tank is empty and must be refilled or replaced.

Resetting the toilet system

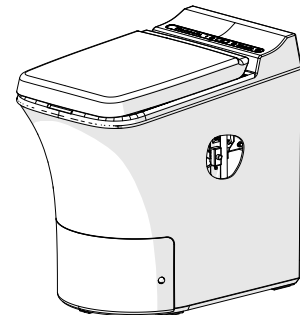
During cleaning and troubleshooting, resetting the electronics may sometimes be helpful. You can do this by pressing the "Start" button. This will cause a short beep to sound. Hold down the button for about eight seconds until you hear a long beep, then release the button.

Error messages

When lights are flashing, you should look for the reason, and fix the problem before using the toilet. You must take immediate action in the event of any irregularities such as odours, poor incineration or system failures, in order to avoid damage and unnecessary repair costs.

Triggered bimetal thermostat

The bimetal thermostat is triggered if the internal temperature in the toilet is too high. This will normally occur if there is a lack of air flow, or restriction in the inlet or outlet section of the installation. It is therefore important that you check that the intake air is in accordance with the specifications, and that the flue vent is open and free of obstacles. Visually check the catalytic converter and perform the steam cleaning procedure in accordance with section 4.2.2. To reset the thermostat, unscrew the plastic screw on the side of the appliance, press the button and screw back in.



During a power outage

If an incineration process is ongoing during a power outage, you may experience temporary odours from inside the toilet and smoke and odours from the flue pipe outside. Since the incineration will not automatically restart when the mains power returns, you must manually start a new incineration cycle. If the power outage is expected to last for longer than two hours, it is important that you empty any waste from the toilet, as this could damage the toilet if it remains there for a longer period of time. Never use the toilet during a power outage.

Odours in the room

Odours can have several causes:

1. Failure to use a bowl liner each time the toilet is used or improper use of the liner.
2. The airflow may be blocked. Inspect the flue pipe and flue termination cap.
3. Check that the installation has been performed in accordance with the installation manual. Too much restriction in the flue pipe could cause back pressure and cause odours inside.
4. The exhaust pipe may be clogged. See section 4.3.1.
5. The catalyst may be clogged. See section 4.3.1.
6. The outlet pipe is not properly fixed to the toilet. See section 2.5.1.

Odours outside

The causes may be the same as for inside the room, or:

1. The catalyst has not reached operational temperature. When the toilet is cold it can take a few minutes before the catalyst reaches the temperature where it starts to function properly.
2. The catalyst may be corroded or deformed. Contact your servicing provider.

5.1 TROUBLESHOOTING TABLE

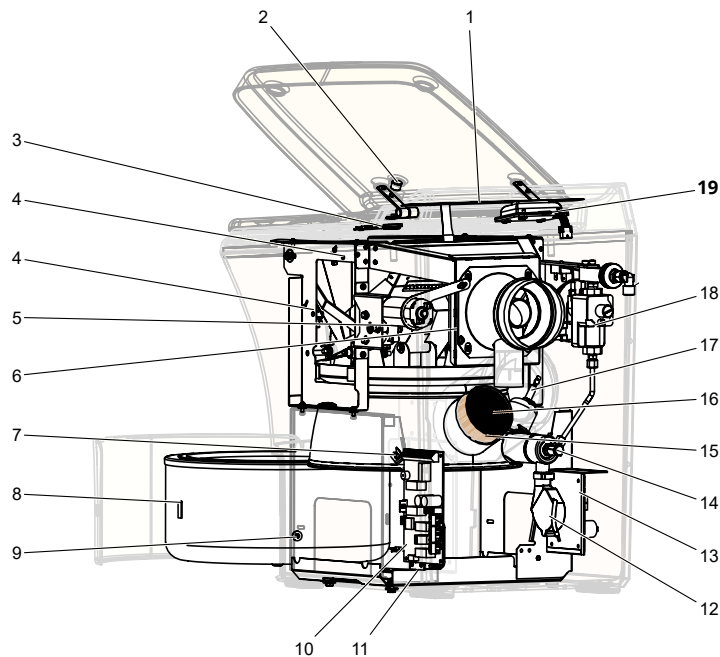
**NOTE!**

Cinderella has developed a digital troubleshooting module that can be found on our website. This module will work as a guide and supplement in addition to the troubleshooting table. Please visit www.cinderellaeco.com

ERROR	DISPLAY MESSAGE	RED LIGHT	YELLOW LIGHT	GREEN LIGHT	SOUND	ACTIONS
Ash container should be emptied	Empty the ash container	FLASHING alternately	FLASHING alternately	STEADY ON	3 BEEPS	1 Remove and empty the ash container * Toilet must be connected to 230 V
Ash container must be emptied. Toilet locked	Toilet locked container full	STEADY ON	STEADY ON	STEADY ON	3 BEEPS 10 SECONDS APART	1 Remove and empty the ash container * Toilet must be connected to 230 V
No power	Blank screen	OFF	OFF	OFF		1 Make sure that the toilet is connected to power, 230 V AC
Ventilation fan error	Error fan	FLASHING	OFF	FLASHING	10 BEEPS	1 Check fan for obstructions and ensure that fan is rotating properly 2 Reset toilet (hold down "Start") 3 Open lid until red light flashes, close lid and press "Start". If error persists, call support
Malfunctioning hatch mechanism	Error hatch mechanism	FLASHING	OFF	STEADY ON	10 BEEPS	1 If toilet is warm, reset toilet 2 Open lid until red light flashes, close lid and press "Start" 3 If unsuccessful, reset toilet, insert a bowl liner and pour 3 cups of water into the liner, close lid and press "Start" 4 If unsuccessful, wait until the toilet has cooled (fan stopped) 5 Restart toilet and open lid when the hatch is opening. Remove stuck items manually. If problem persists, call support
Ash container out of position	Ash container is out of position	FLASHING	FLASHING	STEADY ON	3 BEEPS	1 Adjust the position of the ash container, rotate the handle to the left side 2 Check that the stop pin on the container is intact 3 Visually check the condition of the magnet on the container. If problem persists, call support
Heating circuit interrupted	Error burner system	OFF	FLASHING	STEADY ON	CONTINUOUS BEEPS	1 Reset the toilet 2 Check bimetal thermostat on right-hand side of toilet. Unscrew grey plug and push on fuse inside with finger: do not use any sharp objects 3 If the fuse was triggered, you will hear a click. See section 5 4 If the fuse was not the problem, restart toilet and try to start toilet. Repeat a couple of times. If problem persists, call support
Toilet lid sensor is triggered	Lid is open	FLASHING	OFF	STEADY ON	NONE	1 Check the magnet situated inside the toilet lid and close lid. If problem persists, call support
Malfunctioning temperature sensor	Error temp sensor	OFF	FLASHING	FLASHING	CONTINUOUS BEEPS	1 Reset toilet 2 Open lid until red light flashes, close lid and press "Start" 3 If failure persists, call support
Unreadable / no display message	Unreadable / blank screen					1 Unplug toilet and wait 5 minutes 2 Plug in toilet and restart toilet 3 If problem persists, call support

6. REPAIRS AND SPARE PARTS

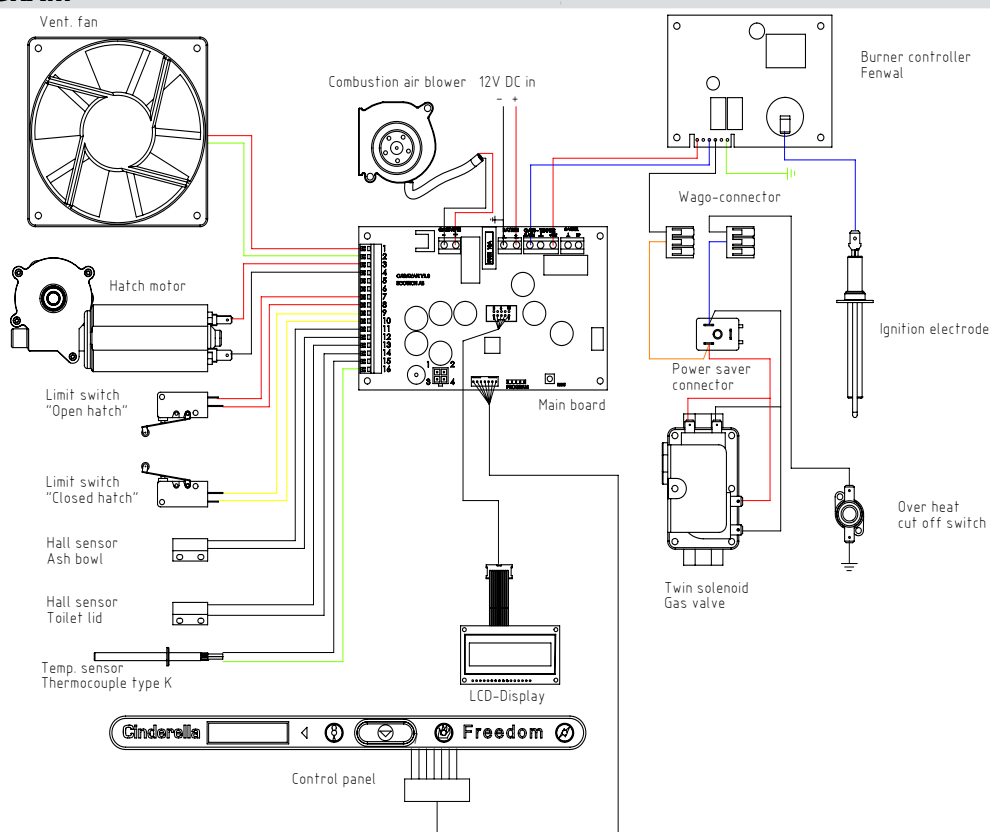
6.1 SPARE PARTS LIST



ID	PART DESCRIPTION	ART. NO
1	Control panel	100981
2	Magnet 14x10 mm	100433
3	Hall sensor w/ wire and tape L = 330 mm	100964
4	Micro switch	101127
5	Motor Nidec 12/24 V DC	101177
6	Fan axial 12 V DC 119x38 mm	100154
7	Thermocouple assembly	100831
8	Stop bracket 9x26x12 mm	100017
9	Magnet 14x7 mm	100065
10	Circuit board gas	100989

ID	PART DESCRIPTION	ART. NO
11	Hall sensor	100228
12	Fan centrifugal 51x51x15	100542
13	Ignition unit Fenwal	100424
14	Gas nozzle 8" WC propane SM	101414
15	Insulation fabric 275x90x2 mm	100163
16	Catalytic converter 90x75 mm	100528
17	Ignition electrode	100196
18	Gas control - Maxitrol CV200	101224
19	Display LED 65 x 36 x 13	100401

6.2 WIRING DIAGRAM



7. Warranty

What does this Warranty cover?

This warranty covers defects in materials or workmanship in your Cinderella Incineration Unit on the terms, for the period and subject to the exceptions set out below.

What does this Warranty not cover?

This warranty does not cover normal wear and tear or damage caused by accidents (including fire, floods, hurricanes or acts of nature), abuse, misuse, failure to follow manufacturer directions or improper maintenance. Consequential and incidental damages are not recoverable under this warranty. Cinderella Eco Group does not apply an "on-site" warranty. This means that the toilet must be transported to an Authorised Service Provider who can perform the service. If this is not possible, a transport or travel cost may be charged by the dealer.

How long does the Warranty apply?

This warranty lasts for a period of three (3) years from the original date of purchase for regular customers. Professional users are granted a one (1) year warranty.

What will Cinderella Eco Group do?

If you submit a valid claim under this warranty, Cinderella Eco Group will either repair, replace or refund the purchase price of your Cinderella Incineration Unit, at its sole discretion.

How do I arrange a service?

To arrange a service, contact your Sales dealer or an Authorised Service Provider in your country. Available service options are dependent on the country in which service is requested.

You may be required to furnish proof-of-purchase details when making a claim under this warranty. For further warranty information, please refer to our website: www.cinderellaeco.com

Cinderella Eco Group AS

Sjøvikvegen 67, NO-6475 Midsund, Norway
www.cinderellaeco.com

INNHold

1. GENERELT	3
1.1 INNLEDNING	3
1.2 BRUK I HENHOLD TIL FORSKRIFTER	3
1.3 BRUKSANVISNING	3
1.4 ANSVARSBEGRÆNSNING	3
1.5 GODKJENNINGER OG SERTIFISERINGER	3
1.6 MILJØKRAV	3
1.7 GENERELLE SIKKERHETSINSTRUKSER	4
1.8 TYPESKILT	5
1.9 CINDERELLA PÅ NETT	5
2. INSTALLASJON	6
2.1 UTPAKKING AV TOALET OG TILBEHØR	6
2.2 SPESIFIKASJONER FOR MÅLING	6
2.3 ORIGINALE INSTALLASJONSPAKKER FOR CINDERELLA TOALET	7
2.4 SPESIFIKASJONER FOR INSTALLERING	8
2.4.1 SPESIFIKASJONER FOR DELER OG MATERIALER	8
2.5 INSTALLASJON AV CINDERELLA FORBRENNINGSTOALET	8
2.5.1 INSTALLASJON AV AVTREKKSØR	9
2.5.2 INNTAKSLUFTKOBLING	10
2.5.3 INSTALLASJON AV DEN ORIGINALE CINDERELLA-PIPEHATTN	11
2.5.4 GASSINSTALLASJON	11
2.6 ELEKTRISKE SPESIFIKASJONER OG KRAV	12
2.7 FJERNING AV SIKKERHETSSTROPPE ETTER TRANSPORT	12
2.8 SJEKKLISTE FOR Å VERIFISERE KOMPLETT INSTALLASJON	13
2.9 YTELSESTEST FOR Å VERIFISERE SYSTEMETS FUNKSJON	13
3. BRUK	14
3.1 BRUKSOMRÅDE OG HÅNDTERING	14
3.2 GENERELL SIKKERHET	14
3.3 SIKKERHET VED DRIFT MED GASS	14
3.4 SIKKER DRIFT	14
3.5 SIKKERHETSFUNKSJONER PÅ CINDERELLA FREEDOM	14
3.6 VIKTIG INFORMASJON OM BRUK	15
3.7 BETJENINGSPANELET	16
3.8 BRUK AV CINDERELLA FREEDOM-TOALET	17
3.9 BETJENING AV FRONTDEKSELET OG ASKEBEHOLDEREN	18
4. GENERELLE VEDLIKEHOLDSINSTRUKSER	19
4.1 FORBRENNINGSRESTENES EGENSKAPER	19
4.2 BRUKERVEDLIKEHOLD	20
4.2.1 TØMMING OG RENGJØRING AV ASKEBEHOLDEREN	20
4.2.2 DAMPRENGJØRING AV KATALYSATOREN	20
4.2.3 RENGJØRING AV SKÅLEN	21
4.2.4 INSPEKSJON OG RENGJØRING AV KATALYSATOREN MED STØVSUGER	22
4.2.5 RENGJØRING AV TOALETETS AVTREKSKOBLING	22
4.2.6 SKYLLING AV KATALYSATOREN MED VARMT VANN	23
5. FEILSØKING OG SVAR PÅ VANLIGE SPØRSMÅL	24
5.1 FEILSØKINGSTABELL	25
6. REPARASJONER OG RESERVEDELER	26
6.1 RESERVEDELSLISTE	26
6.2 KOBLINGSSKJEMA	26
7. GARANTI	27

1. GENERELT

1.1 INNLEDNING

Det er viktig å sørge for riktig ventilasjon i samsvar med retningslinjene i denne håndboken, for å garantere funksjonaliteten til det nye Cinderella-toalettet ditt. Feil installasjon kan medføre funksjonsfeil, slitasje og/eller lukt og vil gjøre garantien ugyldig. De tekniske og administrative forskriftene som gjelder i landet der produktet installeres, må overholdes.

1.2 BRUK I HENHOLD TIL FORSKRIFTER

Dette produktet er laget for å forbrenne kroppslige avfallsprodukter og små sanitærartikler som toalettpapir og alkoholfrie våtservietter.

Produktet må ikke installeres i en mobil eller transportabel installasjon som en bobil, en campingbil eller en campingvogn.

1.3 BRUKSANVISNING

Les denne håndboken grundig før installasjon og første gangs bruk. Oppbevar håndboken på et trygt sted, slik at du kan slå opp i den ved behov. Hvis du gir forbrenningstoiletet videre til andre, skal du overlevere denne håndboken sammen med toalettet.

Håndboken gir deg den veiledningen du trenger for å installere, håndtere og vedlikeholde produktet på riktig måte. Det er viktig at både installatøren og brukeren gjør seg kjent med instruksene i håndboken. Håndboken inneholder også informasjon om profesjonelt vedlikehold og nødvendige opplysninger for service og reparasjoner.

Ytterligere informasjon og en digital versjon av dette dokumentet finnes på www.cinderellaeco.com

1.4 ANSVARSBEGRENSNING

Produsenten påtar seg ikke noe ansvar for skader i følgende tilfeller:

- feilaktig installasjon
- skade på produktet som følge av feil tilkoblingsspenning
- endringer av produktet uten uttrykkelig tillatelse fra produsenten
- bruk til andre formål enn det som er beskrevet i håndboken
- manglende overholdelse av instruksene for bruk og vedlikehold
- anvendelse i strid med forskrifter eller bestemmelser
- bruk av ikke-originale papirposer og reservedeler

1.5 GODKJENNINGER OG SERTIFISERINGER

Cinderella Freedom er grundig testet av DBI og SLG i henhold til den europeiske standarden for gassikkerhet og elektromagnetisk kompatibilitet.

1.6 MILJØKRAV

- Omgivelsestemperatur: -20–40 °C
- Høyde over havet: Testet opptil 1500 m



FORSIKTIG!

Når Cinderella-toalettet er installert, må minimumsavstanden til brennbare overflater/konstruksjoner være 50 mm fra sidene og 50 mm fra baksiden.

1.7 GENERELLE SIKKERHETSINSTRUKSER



FARE!

Sikkerhetsinstruks: Manglende overholdelse av denne instruksen kan føre til alvorlig personskade eller død.



ADVARSEL!

Sikkerhetsinstruks: Manglende overholdelse av denne instruksen kan føre til personskade.



FORSIKTIG!

Manglende overholdelse av denne instruksen kan føre til materiell skade og forringelse av produktets funksjon.



OBS!

Tilleggsinformasjon angående bruk av produktet.



FARE!

- Ikke spray aerosoler i nærheten av dette produktet når det er i bruk.
- Ikke bruk eller lagre brennbare materialer i eller i nærheten av dette produktet.
- Ikke plasser ting på eller opp mot dette produktet.
- Ikke gjør endringer på produktet.



- Ikke bruk forbrenningstoiletet hvis det er synlig skadet.
- Hvis DC-strømkabelen til toiletet er skadet, må den skiftes ut av produsenten, kundeservice eller en tilsvarende kvalifisert person for å unngå sikkerhetsrisiko.
- Bruk aldri en åpen flamme til å sjekke toiletets gasskoblinger for lekkasje.
- Dette toiletet skal bare repareres av kvalifisert personell. Mangelfulle reparasjoner kan medføre alvorlig risiko.
- Bruk bare LPG-gass.
- Bruk toiletet bare med trykket som er angitt på typeskiltet på baksiden av toiletet.



ADVARSEL!





- Klemfare! Ikke plasser hånden på hengslet eller under toiletsetet mens det er åpent. Det er ingen myk lukkefunksjon på lokket eller setet.
- Ikke tøm askebeholderen mens den er varm.
- Forsikre deg om at strømkabelen og støpselet er tørre før du aktiverer toiletet.



- Hold alltid rundt toilettskallet når du flytter eller transporter toiletet, og løft det aldri etter gasskoblingen, strømkabelen, frontdekselet, lokket, setet eller utløpsstussen.
- Kontroller at spenningsspesifikasjonen på typeskiltet stemmer overens med den til energiforsyningen.
- Bruk bare strømkabler med egnet tverrsnitt.
- Fare for overoppheting! Sørg alltid for tilstrekkelig ventilasjon, slik at varmen og utslippene som oppstår ved forbrenning, kan spre seg fra avtrekksrøret. Sørg for tilstrekkelig luftstrøm til systemet. Sørg alltid for tilstrekkelig ventilasjon inn i toiletet.
- Forsikre deg om at toiletet står langt nok unna vegger og andre gjenstander til at luft kan sirkulere.

1.8 TYPESKILT

Typeskiltet finner du på bakplaten til forbrenningstoiletet. På typeskiltet finner du toalettets modellnavn, serienummer og tekniske spesifikasjoner samt kontaktinformasjon. Du trenger disse opplysningene for å kontakte kundeservicesenteret eller bestille reservedeler.

<p>MANUFACTURER</p>  <p>Cinderella Incineration Toilets</p> <p>CINDERELLA ECO GROUP AS Sjøvikvegen 67, 6475 Midsund, NORWAY For sales and support call +4777711500 or visit our web www.cinderellaeco.com</p> <p>CINDERELLA FREEDOM MODEL: PM02CS03EU SERIAL:</p>	<p>Appliance Specifications</p> <p>VOLTAGE..... 12V DC CURRENT 4 A GAS:..... PROPANE FAN BLOWER:..... 12V DC GAS SUPPLY PRESSURE: 30 mBar CAPACITY..... 3-4 PEOPLE PR. HOUR CONNECTED LOAD 425 G/H EFFECT..... 2.86 kW EXHAUST SYSTEM CONSTRUCTION -B22 DEVICE CATEGORY I3 B/P YEAR OF MANUFACTURING..... 2021 DESIGNED FOR..... HOME/CABINS, SANITATION WELFARE UNIT</p>	  
	<p>For information on how to claim warranty, support and recycle our product visit www.cinderellaeco.com</p>	

1.9 CINDERELLA PÅ NETT



REGISTRER DEG FOR «MY CINDERELLA»

Når du registrerer toalettet ditt i «My Cinderella», mottar du relevant informasjon om produktene våre og tilgjengelige støttesystemer samt spesialtilbud tilpasset toalettmodellen. Registrerte toaletter ligger i databasen vår i tilfelle tyveri.

Feilsøking på nettet

En komplett veiledning til toalettet ditt, med nyttige råd og brukerforbedringer, slik at du kan løse de vanligste problemene på egen hånd uten å måtte be om hjelp.

Enkel tilgang til informasjon

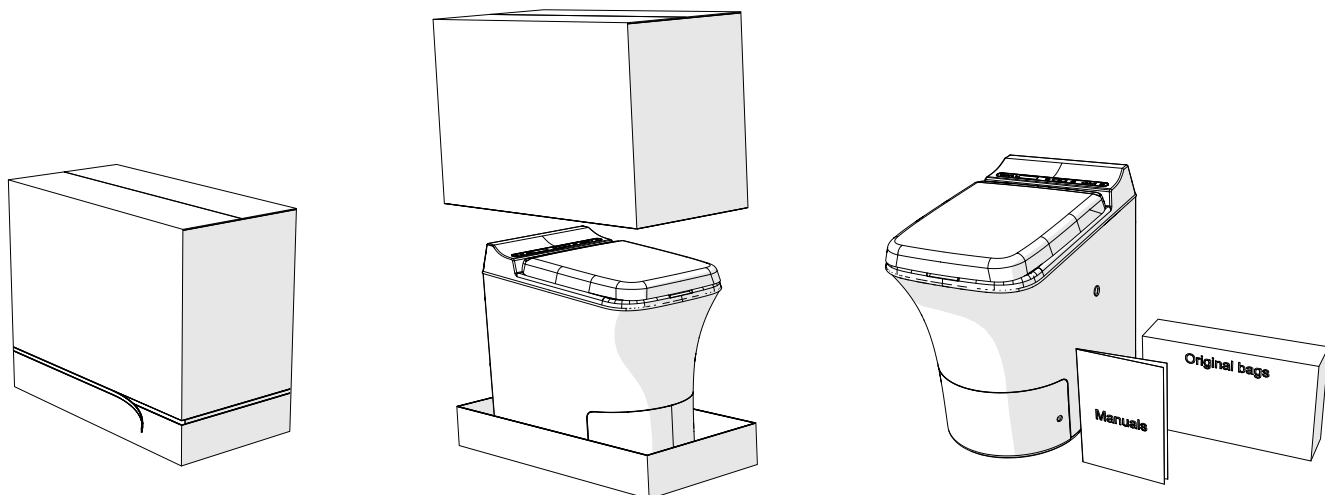
Du kan laste ned produkt dokumentasjon fra dokumentasjonssenteret vårt på nettet, der du finner produkt-håndbøker, servicehåndbøker og en håndbok om demontering av kasserte elektriske og elektroniske produkter (EE-avfall).

Service og reservedeler

Velg land og motta en liste over lokale forhandlere hvor du kan få service og reservedeler.

2. INSTALLASJON

2.1 UTPAKKING AV TOALET OG TILBEHØR



OBS!

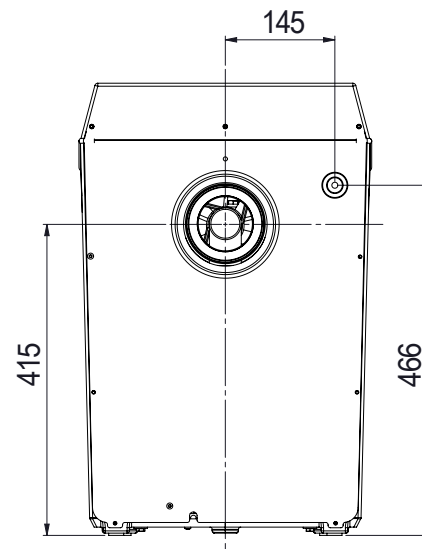
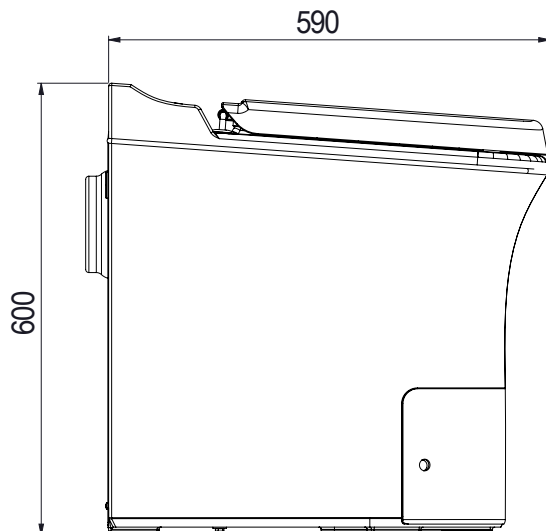
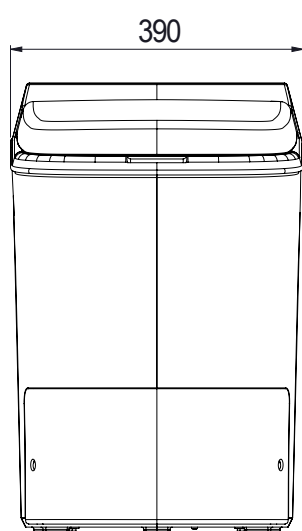
Når du pakker ut Cinderella-toalettet, bruk remsen som er festet langs bunnen av kassen. Trekk av remsen rundt hele kassen og løft kassen av.

INKLUDERTE ARTIKLER	ANT.
Cinderella PM02CS03	1
Papirposer	100
Produkt håndbok	1

2.2 SPESIFIKASJONER FOR MÅLING

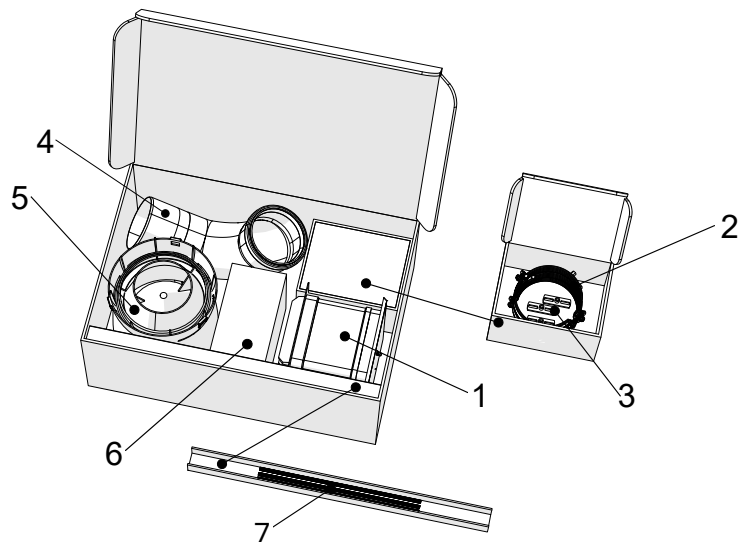
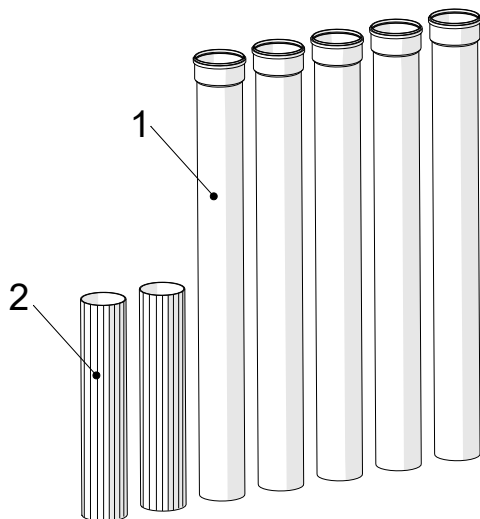
Høyde	600 mm
Sittehøyde	540 mm
Bredde	390 mm

Dybde	590 mm
Høyde senter utløp	415 mm



2.3 ORIGINALE INSTALLASJONSPAKKER FOR CINDERELLA TOALET

Cinderella originalt installasjonssett: Vi anbefaler på det sterkeste at du bruker «Cinderella originalt installasjonssett» når du installerer toalettet ditt. Dette komplette settet inneholder deler som er nødvendige for en ideell installasjon, og optimaliserer forbrenningsprosessen og funksjonaliteten til toalettet. Installasjonssettet består av to kasser. Kasse nr. én inneholder en optimalisert pipehatt og et 87 grader bend som øker systemets strømningshastighet og forbrenningseffektivitet, samt en spesialdesignet luftventil på 201 cm² for optimalisert funksjon. Settet inneholder også klemmer for å støtte rørinstallasjonen. Kasse nr. to inneholder sju 110 mm UV-stabiliserte PP-rør av høy kvalitet for installering av avtrekk.



CINDERELLA ORIGINALT INSTALLASJONSSETT		ANT.
1	Hann-hunn 1066 mm avtrekksrør	5
2	Hann-hann 500 mm avtrekksrør	2

CINDERELLA ORIGINALT INSTALLASJONSSETT		ANT.
1	Luftventil 160 mm (201 cm ²)	1
2	Rørklemme	3
3	Veggbrakett	3
4	Bend 87 grader m/kondenskobling	1
5	Pipehatt	1
6	Regulatorsett 30m/bar	1
7	Gjengestang 30 mm	3

*Kun Norge og Sverige.



OBS!

- Denne håndboken forklarer og illustrerer hvordan du installerer toalettet optimalt, ved bruk av de medfølgende delene i det originale Cinderella-installasjonssettet. Hvis du vil installere Cinderella-toalettet ditt med andre rør og deler enn de originale fra oss, må du forsikre deg om at de samsvarer med spesifikasjonene angitt under avsnitt 2.4.1 «Spesifikasjoner for deler og materialer».
- For å garantere at Cinderella forbrenningstoalett fungerer som det skal, er det viktig å sørge for riktig ventilasjon i samsvar med retningslinjene i denne håndboken. Installasjoner som avviker fra produsentens spesifikasjoner, eller bruk av ikke-godkjente deler i installasjonen av produktet, vil forårsake funksjonsfeil, slitasje eller lukt og gjøre garantien ugyldig.

2.4 SPESIFIKASJONER FOR INSTALLERING

2.4.1 SPESIFIKASJONER FOR DELER OG MATERIALER

ARTIKKEL	SPESIFIKASJONER
Ventilasjonsrør	Cinderella Freedom skal installeres med 110 mm rør med glatt innvendig overflate og minimum indre diameter på 102 mm. Rørmaterialet må være spesifisert for temperaturer over 100 °C og fortrinnsvis av PP- eller CPVC-type. Vi anbefaler på det sterkeste å bruke originale Cinderella PP-kvalitetsrør.
87 grader bend (avtrekksluft)	Cinderella Freedom skal installeres med et jevnt buet 87 grader bend som begrenser luftstrømmen minimalt. Vi anbefaler på det sterkeste å bruke det originale Cinderella bend 87° med avtapping.
Pipehatt	Cinderella Freedom skal installeres med en pipehatt som hindrer inntrenging av regnvann og begrenser luftstrømmen minimalt. Vindvifter eller lignende skal ikke brukes til ventilasjon av Cinderella forbrenningstoalett. Vi anbefaler på det sterkeste å bruke den originale Cinderella-Pipehatten.



OBS!

- Innsiden av ventilasjonsrøret skal være glatt og ikke preget eller rillet.
- Bruk aldri netting i ventilasjonsrøret, det kan begrense luftstrømmen i systemet.
- 87 grader bendet må være tilgjengelig når det er installert, slik at avtappingsrøret kan spyles og avtrekksrøret rengjøres.
- Cinderella Freedom er testet for bruk i bad/våtrom (IP 34-klassifisert), men det må ikke sprutes vann over toalettets utvendige deler.
- Toalettet skal monteres på et fast og jevnt underlag og kan installeres på gulv med varme.

2.5 INSTALLASJON AV CINDERELLA FORBRENNINGSTOALETT

Det er viktig å sørge for riktig ventilasjon i samsvar med retningslinjene i denne håndboken, for å garantere funksjonaliteten til det nye Cinderella-toalettet ditt. Feil installasjon kan medføre funksjonsfeil, slitasje eller lukt og vil gjøre garantien ugyldig. Les hvert enkelt kapittel grundig før du begynner å installere toalettet. Forsikre deg om at arbeidet utføres av fagfolk i samsvar med lokale forskrifter.



FORSIKTIG!

- Overhold gjeldende tekniske og administrative forskrifter i landet der produktet installeres. Vi anbefaler at du kontakter den lokale forhandleren for å få hjelp til planlegging og installering av Cinderella-toalettet ditt.
- Bruk aldri bend i tillegg til 87 grader bend.
- Hvis røret føres gjennom taket, må du sørge for at det gjøres i samsvar med byggeforskriftene.
- Ikke bruk fleksible kanaler eller rør når du installerer Cinderella-toalettet.
- Koble aldri mer enn ett toalett til avtrekksrøret.

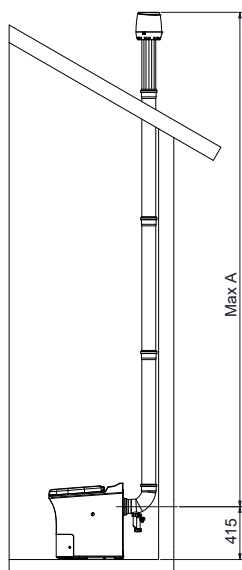


ADVARSEL!

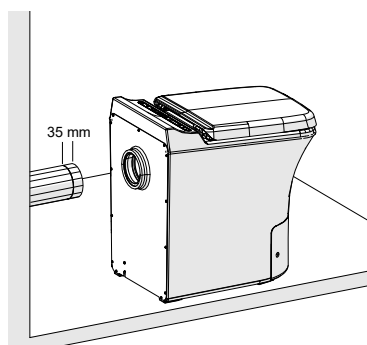
Før du skjærer hull, kontroller alltid at du ikke risikerer å skade elektriske ledninger eller vannrør.

2.5.1 INSTALLASJON AV AVTREKKSØR

DIAMETER AVTREKKSØR	AVTREKKSRETNING	REFERANSE	BEND	MAKSIMAL RØRLENGDE
110 mm	Vannrett avtrekksrør	C	(Ikke tillatt)	1,0 m
110 mm	Loddrett avtrekksrør	A	Ingen	5,0 m

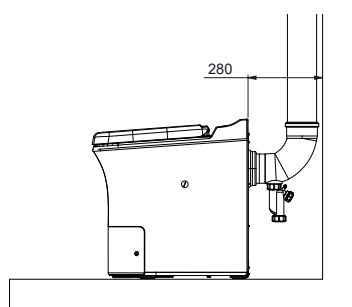


OBS!
Senteret av avtrekkskoblingen på toalettet er 415 mm fra gulvet.



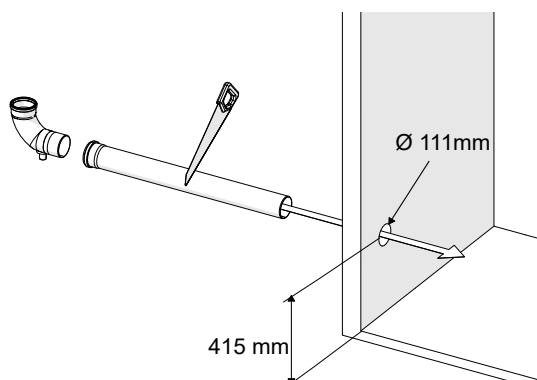
OBS!

Når du justerer rørlengden, må du være oppmerksom på at røret skal gå 35 mm inn i avtrekkskoblingen på toalettet, og ta hensyn til dette i planleggingen av installasjonen.



OBS!

Vær oppmerksom på at hvis du installerer røret loddrett rett opp fra toalettet, må minimumsavstanden mellom veggen og toalettet være 280 mm.

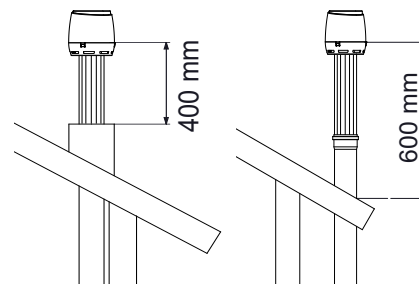


OBS!

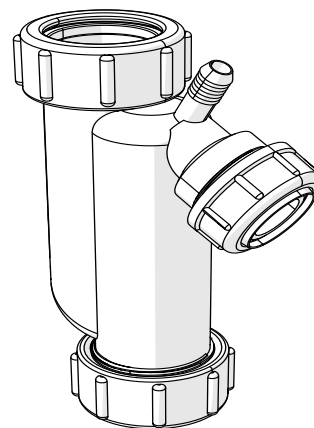
Det originale Cinderella-installasjonssettet inneholder fem 1066 mm rør til bruk i avtrekksinstallasjonen. Rørene leveres med rørmuffe og pakning for enkel montering. Når du installerer røret på ytterveggen, må du føre inn røret fra utsiden av veggen.

**OBS!**

- Røret skal alltid monteres loddrett over taket og strekke seg minst 600 mm over overflaten på taket. Hvis avtrekksrøret skal bygges inn (f.eks. i metallkledning), må du sørge for at enden av røret strekker seg minst 400 mm over kledningen.
- Hvis røret blir installert der det sannsynligvis vil samle seg snø, kan det være nødvendig å forlenge røret ytterligere og sikre det tilsvarende. Unngå å overstige maksimalt tillatt rørlengde.

**OBS!**

Cinderella leverer en spesialkonstruert «vannlås» som passer på 87 grader bendet som følger med i installasjonssettet, og som kan kjøpes som tilbehør hos alle Cinderella-forhandlere. Hvis installasjonen gjøres fra innsiden, må du koble vannlåsen til 87 grader bendet for å hindre at kondens og regnvann renner ned på gulvet. Manglende oppsamling og tømning av kondensvann kan føre til skade på gulvet.

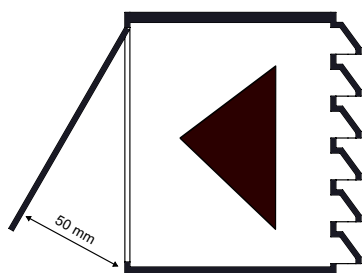


2.5.2 INNTAKSLUFTKOBLING

En luftventil i samsvar med produsentens spesifikasjoner, er påkrevd for å sikre tilstrekkelig luftsirkulasjon og nødvendig oksygen til korrekt forbrenning. Cinderella originalt installasjonssett inneholder en spesialdesignet luftventil som er konstruert for optimal flyt og økt produkteffektivitet. Inntaksluftventilen skal helst monteres så nært Cinderella-toalettet som mulig, for å sikre god lufttilførsel til toalettet og redusere | i toalettrommet. Det er viktig at det ikke blir brukt noen andre luftavhengige installasjoner, for eksempel en avtrekksvifte eller en peis, samtidig med toalettet. Cinderella Freedom trekker inn luft hovedsakelig fra undersiden av toalettet, så luftinntaket kan plasseres under toalettet. Dette gjør det mulig å isolere luften mest mulig i toalettet og redusere miljøpåvirkning i toalettrommet.

**OBS!**

- Minstemålet for inntaksventilen er 160 mm (diameter) / 201 cm².
- Ventilene skal alltid være åpne mens toalettet er i bruk. Husk å rengjøre ventilen med jevne mellomrom.
- Pass på at det ikke oppstår noen konflikt mellom toalettets lufttilførsel og andre installasjoner, for eksempel en peis eller en avtrekksvifte.
- Unngå å bruke en separat ventilasjonsvifte eller lignende for å trekke ut luft fra rommet der Cinderella Freedom-toalettet er installert, mens toalettet er i bruk.
- Hvis du har åpen ventilasjon under toalettet, kan det være tilrådelig å legge netting over hullet for å hindre at insekter og skadedyr kan komme inn i toalettet. Pass på at nettingen ikke er for fin. Maskevidden bør være minst 5 mm, mindre masker vil hindre luftstrømmen.

**OBS!**

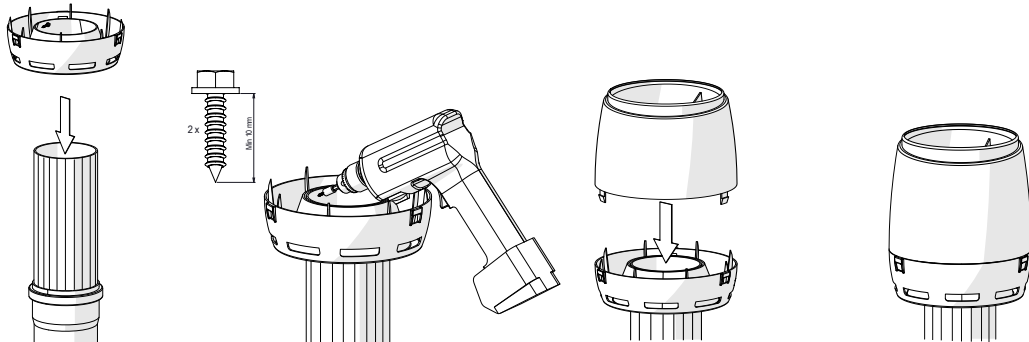
Hvis den installerte luftventilen har en regulerbar åpning, skal du sørge for at den alltid står åpen med minst 75 mm (to klikk) når toalettet er i bruk.

2.5.3 INSTALLASJON AV DEN ORIGINALE CINDERELLA-PIPEHATTEN



OBS!

Cinderella originalt installasjonssett inneholder en pipehatt som er konstruert for optimal flyt og økt produkteffektivitet. Hatten består av to deler, og den nedre delen kan festes til avtrekksrøret med rustfrie skruer eller lim for enkel tilkobling og demontering ved vedlikehold av røret. Bruk et rør på 500 mm (inkludert i Cinderella-installasjonssettet) som siste seksjon av avtrekksrøret, for å kunne montere pipehatten.



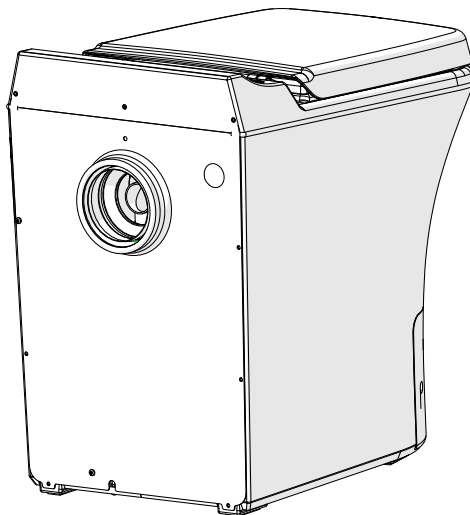
2.5.4 GASSINSTALLASJON

Når du kobler gass til toalettet, må du passe på å bruke riktig gassregulator for ditt område. Tilkoblingen på apparatet er av typen ¼" NTP.



ADVARSEL!

- Bruk toalettet bare med trykket som er angitt på typeskiltet på baksiden av toalettet.
- Bruk toalettet bare med den typen gass som er angitt på typeskiltet på baksiden av toalettet.
- Toalettet er bare egnet for installasjon innendørs.



SPESIFIKASJONER	VERDI	NOTATER
Drivstofforbruk	160-190 g	Per forbrenning
Tilførselsgasstrykk	30 mbar	
Gasstype	LPG	
Gasstilkobling, toalett	G ¼" LH	
Åpningens størrelse	1 mm	

2.6 ELEKTRISKE SPESIFIKASJONER OG KRAV

Det må tilføres riktig spenning, frekvens og strømstyrke fra en egen, jordet krets som er beskyttet av en riktig dimensjonert automatsikring. Riktig spenning, frekvens og strømstyrke fremgår av denne håndboken og typeskiltet på baksiden av toalettet. Merk: Dette toalettet trenger en strømforsyning på 12 V DC 4 A. Hvis du skal bruke det med en vanlig 240 V AC-stikkontakt, må du be forhandleren om en godkjent strømforsyning.

Strømkrav	TILFØRT EFFEKT	STRØMSTYRKE	SIKRING
	12 V DC (11–14,4 V)	4 A	10 A
Strømforbruk	DVALEMODUS	HVILEMODUS	FORBRENNINGSMODUS
	0,005 A	0,09 A	1,3 A
Tilkoblingspolaritet	TVERRSNITT	POSITIV	NEGATIV
	2 mm ²	Rød	Svart

Man må unngå å koble sammen de respektive negative og positive kablene til DC-koblingen, da dette kan forårsake elektrisk interferens og skade på elektriske komponenter. 12 V-forsyningen skal kobles på egen krets direkte til batteriet, med en 10 A sikring i begynnelsen av kretsen. Bruk 12 V-kabelveiledningen for å beregne riktig kabelstørrelse i forhold til kabelens lengde.

12 V-KABELVEILEDNING						
Ampere	1 m	2 m	5 m	6 m	8 m	10 m
4	2 mm ²	2 mm ²	2 mm ²	4 mm ²	4 mm ²	4 mm ²

Når du kobler toalettet til DC-strømforsyningen, må du

- forsikre deg om at kablen er dimensjonert for forventet last i kretsen, inkludert en sikkerhetsmargin
- forsikre deg om at kabelverrsnittet er dimensjonert for tiltenkt kabellengde, og at kablen ikke vil redusere spenningen
- alltid kontrollere polariteten til kablene før du kobler til (skader på grunn av feil polaritet dekkes ikke av garantien)



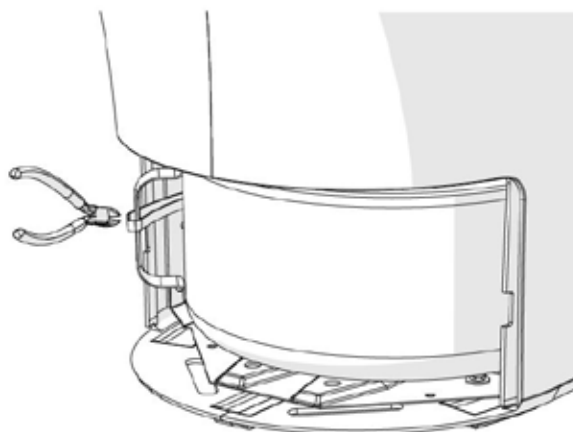
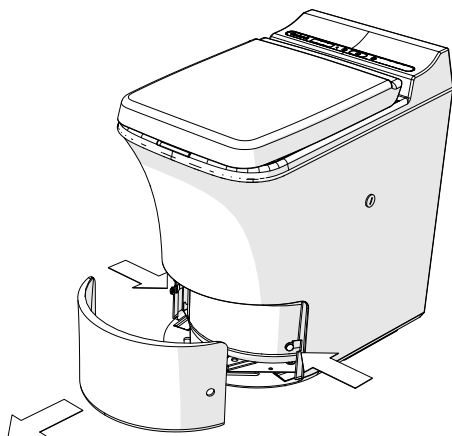
OBS!

- Tilkoblingskablen skal legges slik at den ikke kommer i kontakt med skarpe kanter.
- Endringer av den innvendige elektriske installasjonen eller tilkoblingskablen må utføres av en faglært elektriker eller tilsvarende kvalifisert person for å unngå sikkerhetsrisiko.

2.7 FJERNING AV SIKKERHETSSTROPPEN ETTER TRANSPORT

Askebeholderen er utstyrt med en sikkerhetsstropp som må fjernes før bruk:

1. Fjern frontdekselet.
2. Kutt og fjern plaststroppene som fester askebeholderen til stålrammen.



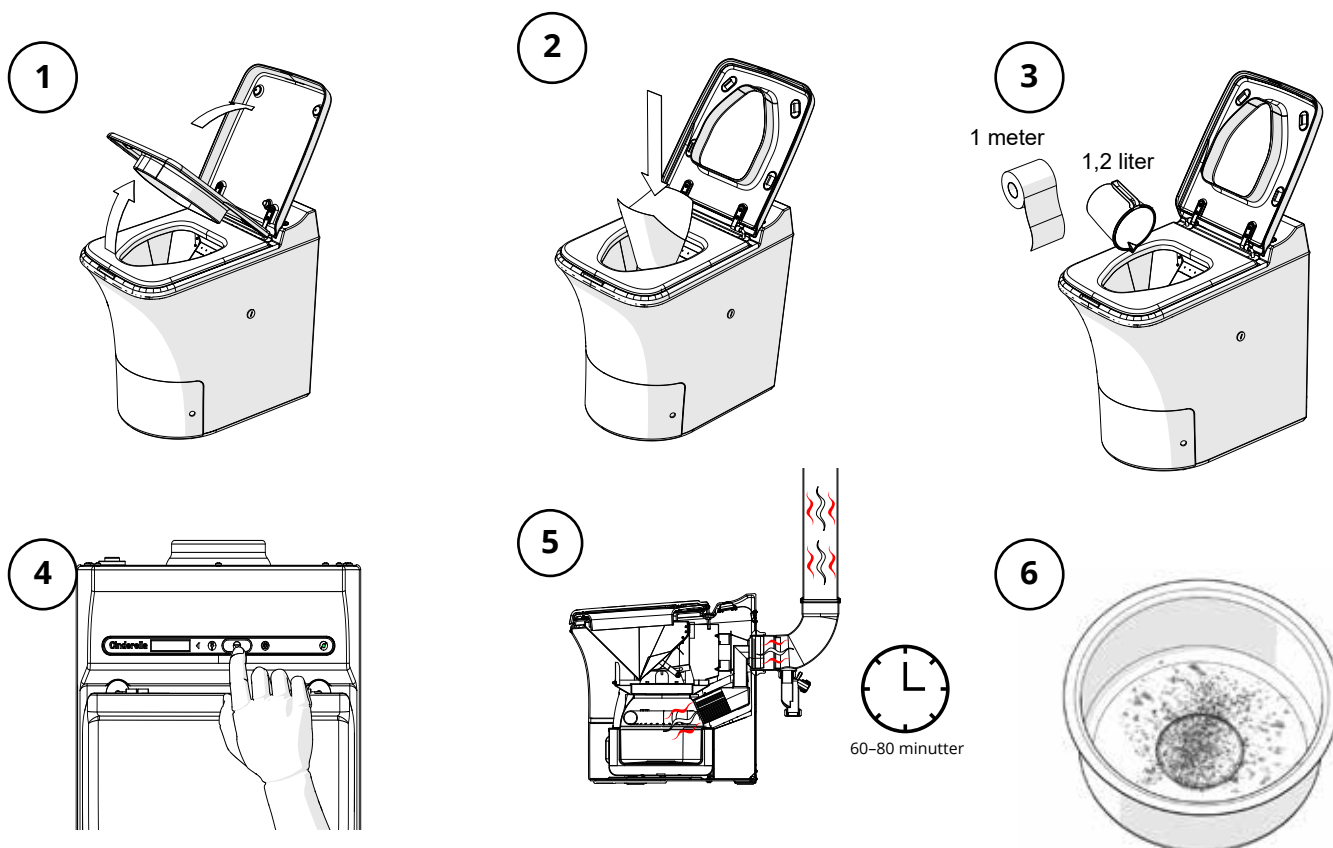
2.8 SJEKKLISTE FOR Å VERIFISERE KOMPLETT INSTALLASJON

SJEKKPUNKT	OK
Den tilkoblede spenningen er i samsvar med produktets typeskilt.	
Det tilkoblede gasstrykket er i samsvar med produktets typeskilt.	
Produktet er installert i henhold til produsentens spesifikasjoner.	
Avtrekkørsøret er installert i henhold til produsentens spesifikasjoner.	
Toppen av avtrekkørsøret er ikke mindre enn 600 mm over overflaten på taket.	
En vannlås med trygg avtapping er installert der det er sannsynlig at det kan dannes kondens.	
Avtrekkørsørmateriellet er installert i henhold til produsentens spesifikasjoner.	
Pipehatten er installert i henhold til produsentens spesifikasjoner.	
Inntaksluften er i samsvar med produsentens spesifikasjoner.	

2.9 YTELSESTEST FOR Å VERIFISERE SYSTEMETS FUNKSJON

Når «startknappen» trykkes inn, blir forbrenningscyklusen aktivert. Estimert forbrenningstid for verifiserings-testen er 60 til 80 minutter. Den gule lampen lyser mens forbrenningen pågår, og hele testen skal gjennomføres uten feilindikasjoner eller systemavbrudd. Toalettet må kjøles ned til viften har stanset før askebeholderen kan tas ut. Avkjølingsfasen kan ta fra 60 til 90 minutter, avhengig av omgivelsestemperatur.

Sluttproduktet skal være bare fint, hvitt støv. Et sluttprodukt som avviker fra dette, eller en forbrenningstid på over 90 minutter, kan indikere en delvis blokkering av avtrekkiskanalen eller mangel på oksygen. Kontroller at installasjonen er i samsvar med produsentens spesifikasjoner, som fremgår av kapittel 2 i denne håndboken.



ADVARSEL!

Askebeholderen blir veldig varm under forbrenning. Ikke fjern frontdekselet før toalettet er helt avkjølt, og viften har stanset.



OBS!

- Ytelsestesten er utarbeidet for å utføres på toaletter som ikke har vært i bruk. Resultatene kan variere når testen utføres på brukte toaletter.

3. BRUK

3.1 BRUKSOMRÅDE OG HÅNDTERING

Cinderella Freedom-toalettet er beregnet på innendørs montering og bruk i fritidshjem som hytter og fritidsboliger samt i uthus, naust, bassenghus og sanitærfasiliteter, for eksempel på byggeplasser. Toalettet er utelukkende konstruert for å forbrenne kroppslige avfallsprodukter og små sanitærartikler som toalettpapir, bind og alkoholfrie våtservietter. Bruk av Cinderella Freedom til å brenne andre gjenstander anses som feil bruk og vil gjøre garantien ugyldig.

Ikke kast følgende gjenstander i toalettet:

- for store mengder papir av noe slag
- klorbaserte rengjøringsmidler
- alkoholholdige våtservietter
- aviser
- papirhåndklær
- brannfarlige væsker eller materialer
- lightere
- sigaretter eller sigarer
- bensin
- alkoholholdige drikker eller brennevin
- alkohol eller håndsprit
- neglelakkfjerner
- lighterbensin
- lampeolje/parafin
- spraybokser
- flasker eller andre beholdere av plast eller glass

3.2 GENERELL SIKKERHET



FARE!

- Ikke bruk forbrenningstoalettet hvis det er synlig skadet.
- Hvis tilkoblingskabelen til toalettet er skadet, skal den skiftes ut av produsenten, kundeservice eller en tilsvarende kvalifisert person for å unngå sikkerhetsrisiko.
- Dette forbrenningstoalettet skal bare repareres av kvalifisert personell. Uautoriserte reparasjoner kan medføre betydelig fare eller skade på toalettet.
- Rengjøring og brukervedlikehold skal ikke utføres av barn uten tilsyn.
- Ikke bruk eksplosive stoffer eller brennbare rengjøringsmidler ved vedlikehold av toalettet.

3.3 SIKKERHET VED DRIFT MED GASS



FARE!

- Bruk aldri en uskjermet flamme for å sjekke gassførende deler og rør for lekkasje, da det medfører fare for brann eller eksplosjon.
- Ved gasslukt:
 - Steng stoppekranen på gasstilførselen og ventilen på gassflasken.
 - Åpne alle vinduer og forlat rommet.
 - Unngå å slå elektriske brytere på eller av.
 - Slukk eventuelle åpne flammer.
 - Få gassystemet kontrollert av en spesialist.

3.4 SIKKER DRIFT



ADVARSEL!

- Askebeholderen i toalettet blir veldig varm når toalettet er i bruk. Forsikre deg om at sikkerhetsdekselet er på plass mens toalettet er i bruk. Ikke tøm askebeholderen før toalettet er helt avkjølt.
- Setet har ingen myk lukkefunksjon, så pass på at hender og fingre ikke kommer i klem når setet eller lokket lukkes.

3.5 SIKKERHETSFUNKSJONER PÅ CINDERELLA FREEDOM

- Forbrenningsprosessen er deaktivert når toalettlokket er åpent. Forbrenningen starter ikke før setet og lokket lukkes.
- Luken til forbrenningskammeret KAN IKKE stå åpen mens toalettet fortsatt er varmt (f.eks. under rengjøring). Dette er bare mulig når toalettet er avkjølt og viften har stanset.

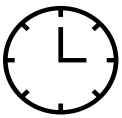
- Hvis det oppstår et ventilasjonsproblem og den innvendige temperaturen i toalettet øker til over 105 °C, blir forbrenningen avbrutt, og det vises en advarsel. I slike tilfeller må systemet tilbakestilles manuelt for å sikre at ventilasjonsproblemet er løst før toalettet kan brukes igjen.
- Hvis askebeholderen er feil plassert etter tømning, starter ikke forbrenningen. En varsellampe tennes, og det vises en advarsel.
- Hvis forbrenningskammerets lukemekanisme kiler seg fast eller forhindres i å lukke seg ordentlig, vises det det en feilmelding, og forbrenningen starter ikke.
- Cinderella Freedoms smarte programvare inneholder en «vakhund-funksjon» som overvåker temperaturen mens forbrenningen pågår. Dersom det registreres avvik fra det normale temperaturområdet, stanser forbrenningen umiddelbart, og det vises en advarsel.

3.6 VIKTIG INFORMASJON OM BRUK



OBS!

- Husk alltid å plassere en ny papirpose i toalettskålen før bruk – én papirpose per besøk.
- Toalettlokket skal alltid være lukket når toalettet ikke er i bruk. Forbrenningen vil ikke starte eller fortsette før lokket er lukket.
- Forbrenningssyklusen kan ta opptil 180 minutter fra det siste besøket.
- Viften fortsetter å gå til forbrenningen er fullført, og den innvendige temperaturen i toalettet er tilbake i normalområdet. Avkjølingsfasen kan overstige 120 minutter etter at forbrenningen er fullført, avhengig av temperaturen på kjøleluften.
- Cinderella-toalettet kan brukes når som helst under forbrennings- og kjøleprosessene. Forbrenningen avbrytes under bruk. Husk å lukke lokket og trykke på startknappen etter hvert besøk.



Kapasitet 4 personer

Cinderella Freedom-toalettet er designet for å håndtere opptil fire besøk i timen. Hyppigere besøk frarådes for å unngå overbelastning. Overbelastning av toalettet med mange besøk i løpet av kort tid, uten å fullføre en forbrenningssyklus, kan føre til lukt og lekkasje, og kan skade toalettet.



Tømmehyppighet

Systemets avfallsbeholder har en væskekapasitet på fem liter. Askebeholderen bør tømmes ofte (én gang i uken) for best mulig funksjon. Dette sikrer en mer effektiv forbrenning og bidrar til å holde katalysatoren renere.

Hvis askebeholderen ikke har blitt tatt ut (ved ukentlige tømmerutiner), viser Cinderella Freedom en melding om å tømme beholderen etter 90 forbrenningssykluser. Hvis toalettet ikke tømmes etter 120 besøk, låser det seg for ytterligere besøk. Vi anbefaler å tømme toalettet så ofte som mulig, for å sikre en mer effektiv forbrenning og mindre slitasje på produktet.

Hvis du ikke tømmer askebeholderen når den er full, kan det føre til skade på toalettet og gjøre garantien ugyldig.



Klargjøring av toalettet for en lengre periode uten bruk

Ved lengre perioder uten bruk skal avfallet forbrennes og askebeholderen tømmes.



Korte perioder med økt bruk

Følg disse rådene i situasjoner der et uvanlig høyt antall gjester kommer til å bruke toalettet i løpet av en kort periode:

1. Tøm askebeholderen fullstendig før gjestene ankommer.
2. Forvarm toalettet før bruk ved å åpne og lukke lokket og deretter trykke på «startknappen».
3. Forsikre deg om at gjestene blir instruert om å bruke en papirpose og trykke på «startknappen» etter hvert besøk.
4. Sjekk regelmessig for å forsikre deg om at toalettlokket er lukket, og at den gule forbrenningslampen fortsatt lyser.
5. Det kan hende du må kjøre en ekstra forbrenningssyklus eller to før du tømmer askebeholderen, for å sikre at avfallet er fullstendig forbrent.

3.7 BETJENINGSPANELET

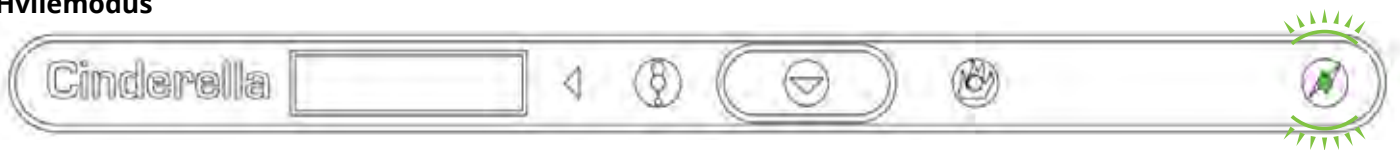
Betjeningspanelet er utstyrt med lys- og lydsignaler samt displaymeldinger som gir en best mulig brukeropplevelse. Det finnes en rekke kombinasjoner av lys- og lydsignaler som forteller brukeren om statusen til systemet. Det er viktig at alle brukere setter seg grundig inn i disse signalene før bruk. Du finner en oversikt over alle lys- og lydsignalene i feilsøkingstabellen i avsnitt 5.1.



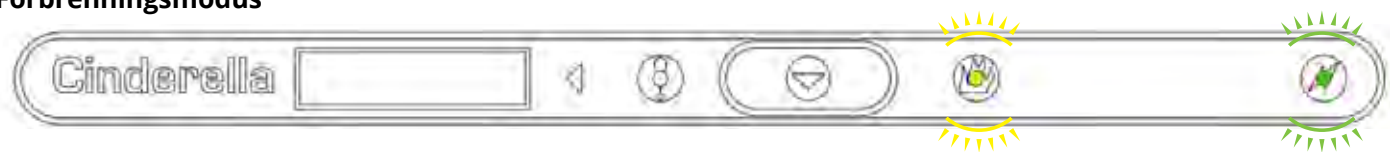
OBS!

- En grønn lampe indikerer at toalettet er koblet til strømforsyningen. Når bare den grønne lampen lyser, er toalettet i hvilemodus og klart til bruk.
- En gul lampe indikerer at det pågår en forbrenningsprosess, og lyser konstant så lenge toalettet er i forbrenningsmodus.
- En rød lampe indikerer avbrudd og varsler brukeren om at toalettet verken forbrenner avfall eller er i hvilemodus.

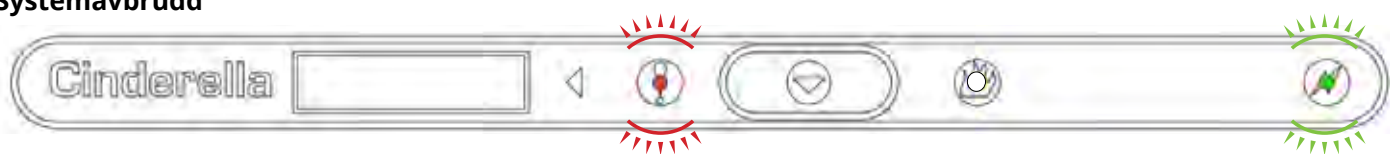
Hvilemodus



Forbrenningsmodus



Systemavbrudd

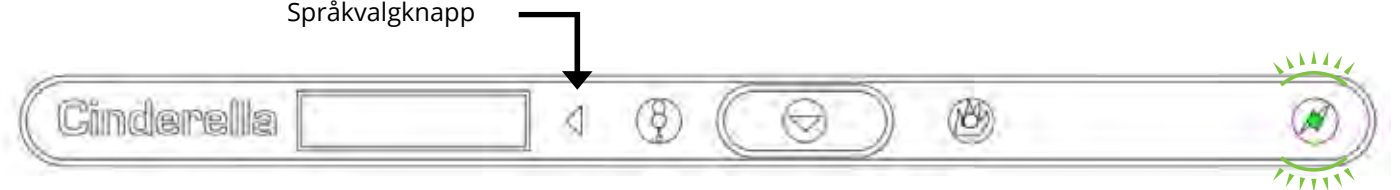


Velge språk

Hold «språkvalgknappen» inne i tre sekunder til ordet «Language» vises på den første tekstlinjen.

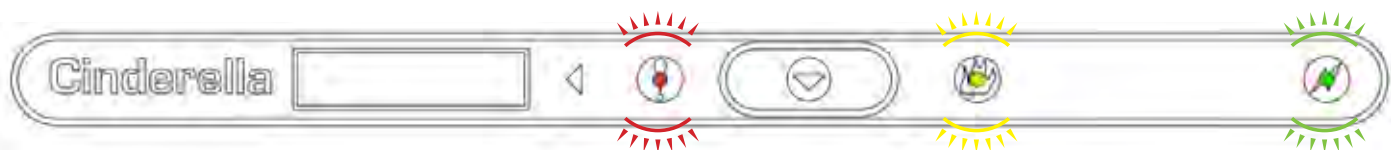
Gjeldende språk vises på den andre linjen. Trykk på «språkvalgknappen» gjentatte ganger til det ønskede språket vises. Det nye språket lagres automatisk et par sekunder etter at du har valgt det, og toalettet gjenopptar driften.

Språkvalgknapp



Tømmeindikator

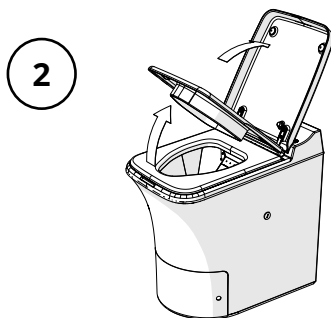
Cinderella Freedom varsler når det er på tide å tømme askebeholderen. Displayet viser ordene «TØM ASKEBEHOLDEREN», og du hører tre korte pip når toalettlokket åpnes. Hvis beholderen ikke tømmes innen et visst antall besøk, vil toalettet låse seg. Da lyser de gule, røde og grønne lampene konstant, og displayet viser teksten «TOALETT LÅST BEHOLDER FULL». Du hører tre korte pip hvert tiende sekund til askebeholderen er tømt.



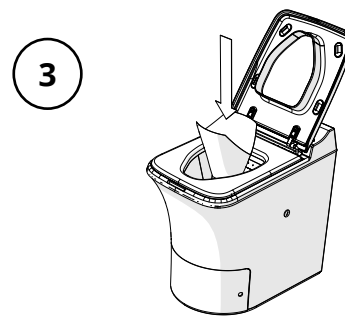
3.8 BRUK AV CINDERELLA FREEDOM-TOALETET



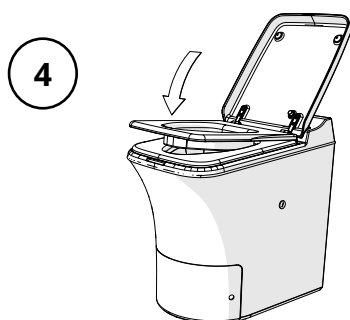
1. Kontroller at den grønne lampen på betjeningspanelet lyser for å indikere at toalettet har strømtilførsel og er klart til bruk.



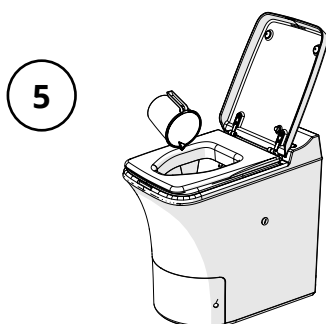
2. Løft toalettlokket og setet. En rød lampe begynner å blinke. Ventilasjonsviften starter.



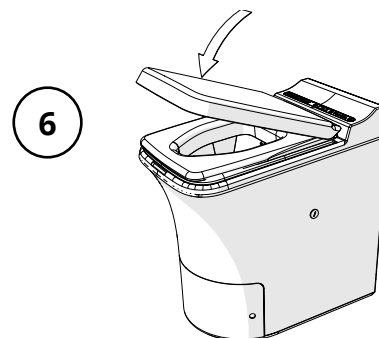
3. Plasser en papirpose i skålen. Bruk en ny papirpose for hvert besøk.



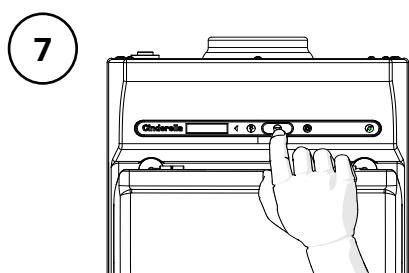
4. Senk setet. Toalettet er klart til bruk.



5. Bruk toalettet som vanlig. Hvis det produseres lite avfall, kan det være nyttig å helle litt vann i skålen for å øke vekten.



6. Lukk toalettlokket.



7. Trykk på «startknappen» for å slippe papirposen og innholdet ned i forbrenningskammeret. Forbrenningen starter så snart luken lukkes. Nå er toalettet klart til neste bruker.



8. Under forbrenning lyser en gul lampe konstant. Toalettet kan brukes når som helst, men ved bruk avbrytes forbrenningen midlertidig. Forbrenningstiden kan variere etter antall besøk og mengde avfall.

3.9 BETJENING AV FRONTDEKSELET OG ASKEBEHOLDEREN



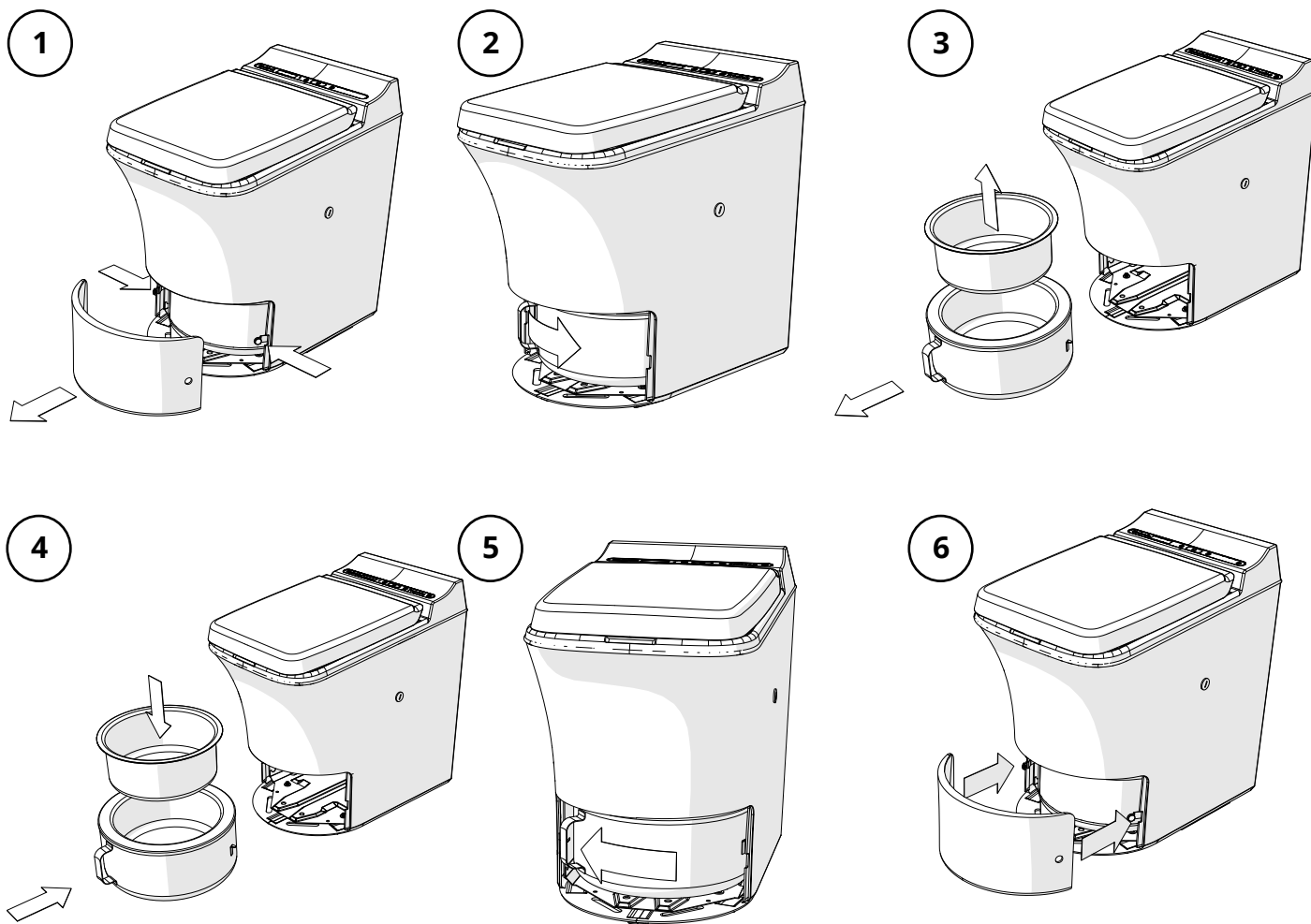
ADVARSEL!

Håndter askebeholderen bare når toalettet er avkjølt og i hvilemodus.



OBS!

Se kapittelet om vedlikehold for instruksjoner om rengjøring og tømning av askebeholderen.



4. GENERELLE VEDLIKEHOLDSINSTRUKSER

Denne håndboken dekker både brukervedlikehold og vedlikehold som skal utføres av fagfolk med nødvendig ekspertise og godkjenninger.

Et velfungerende luftsirkulasjonssystem er avgjørende for at toalettet skal fungere riktig. Partikler som oppstår under forbrenningsprosessen, kan tette katalysatoren og utløpsrøret over tid. Det er viktig å vedlikeholde disse delene regelmessig for å sikre riktig funksjon.

For å sikre optimal drift og forlenge levetiden til Cinderella Freedom-toalettet må du sette av litt tid til forebyggende vedlikehold. Gode vedlikeholdsrutiner gir lavere driftskostnader og mindre slitasje på produktet. Vi anbefaler på det sterkeste å utføre regelmessig vedlikehold som følger:

1. Tøm toalettet ofte. Ikke baser bruken på maksimumsgrensen for produktet.
2. Rengjør alltid askebeholderen og innsatsen etter tømning (se avsnitt 4.2.1).
3. Rengjør alltid med damp mellom hver eske med papirposer (500 ganger), helst etter hver tømning og vask av askebeholderen (se avsnitt 4.2.2).
4. Vær alltid oppmerksom på forbrenningsrestenes egenskaper når du tømmer toalettet. Avvikende egenskaper kan tyde på behov for vedlikehold eller service (se avsnitt 4.1).

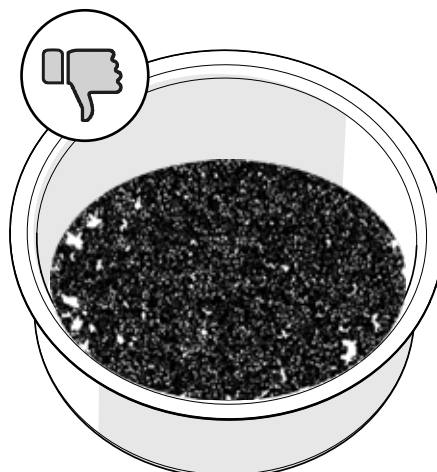
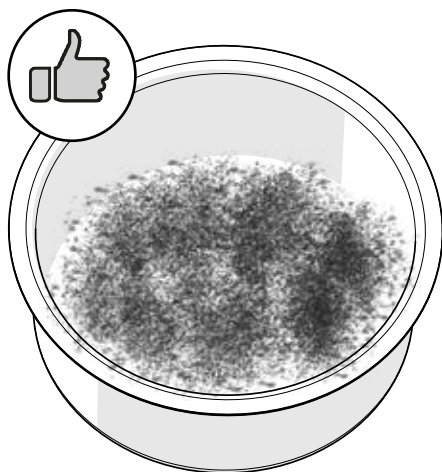


ADVARSEL!

Forsikre deg alltid om at toalettet er tilstrekkelig avkjølt og ikke i forbrenningsmodus, før du utfører vedlikehold.

4.1 FORBRENNINGSRESTENES EGENSKAPER

Restavfallet (asken) består av biologiske rester, salter og mineraler, og vil derfor ofte fremstå som hardt og krystallisert. Det skal ikke være synlige rester av papir eller flak med uforbrent avfall. Asken skal være en kombinasjon av hvit og mørkegrå. Hvis det er større forekomster av uforbrent svart avfall, fuktighet eller papir ved tømning av toalettet, skal du starte en ny forbrenning uten å ha i papir eller vann. Når forbrenningen er fullført, tømmer du askebeholderen og utfører vedlikeholdsprosedyrene som angitt i denne håndboken.

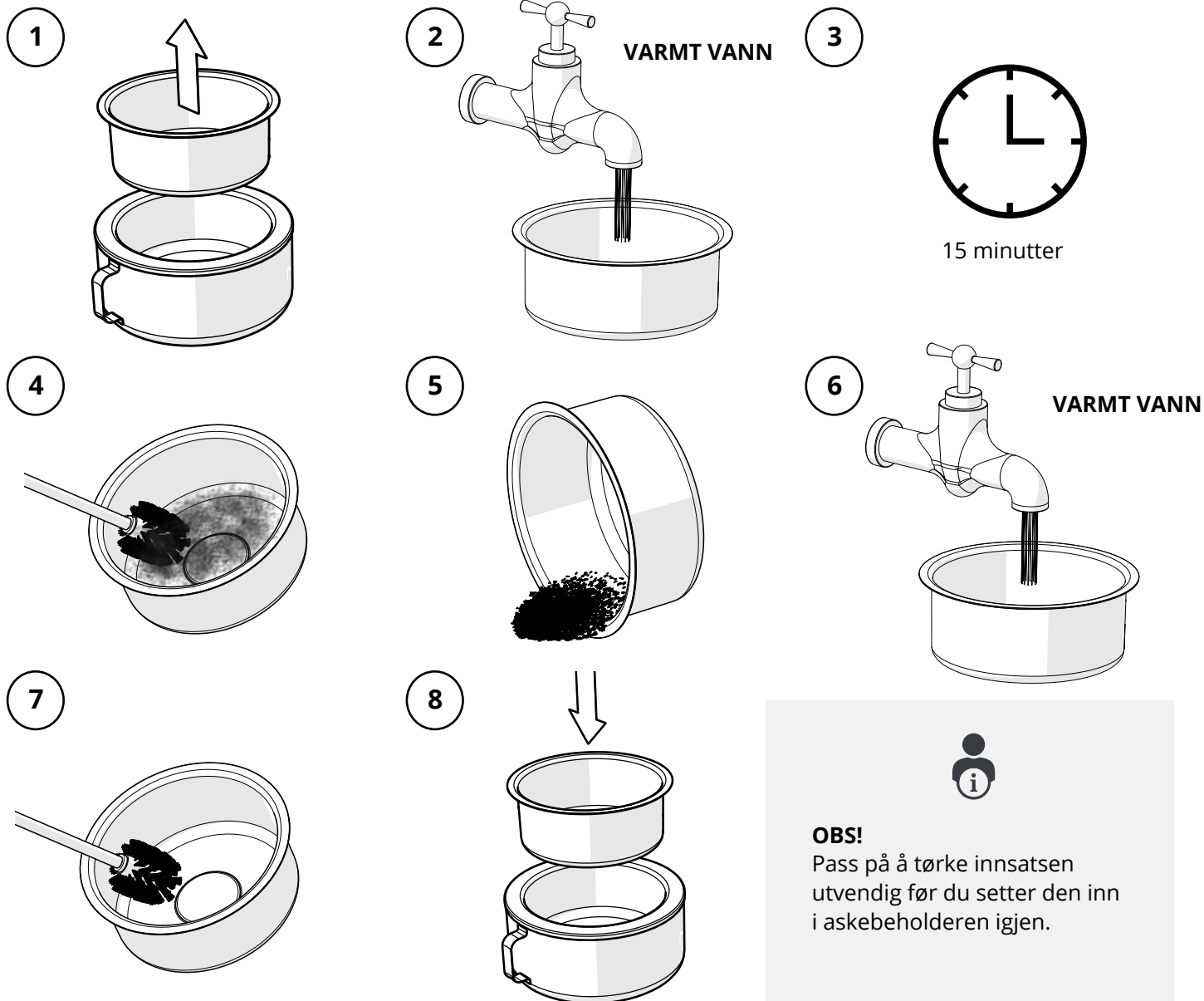


FORSIKTIG!

- Asken er ikke egnet til bruk som gjødsel eller kompost. Den skal kastes i husholdningsavfallet i henhold til gjeldende offentlige forskrifter.
- Den gjenværende asken er steril og trygg å håndtere når den har forbrent til en lys farge. Hvis asken er svart og inneholder flak, eller hvis forbrenningssyklusen var ufullstendig, skal du kjøre en ekstra forbrenningssyklus for å sikre at asken blir fullstendig forbrent. Hvis problemet vedvarer, se kapittelet om feilsøking for flere råd.

4.2 BRUKERVEDLIKEHOLD

4.2.1 TØMMING OG RENGJØRING AV ASKEBEHOLDEREN



FORSIKTIG!

Ikke bruk skarpe redskaper eller gjenstander når du rengjør askebeholderinnsatsen. Det vil skade innsatsen og redusere levetiden dens.



OBS!

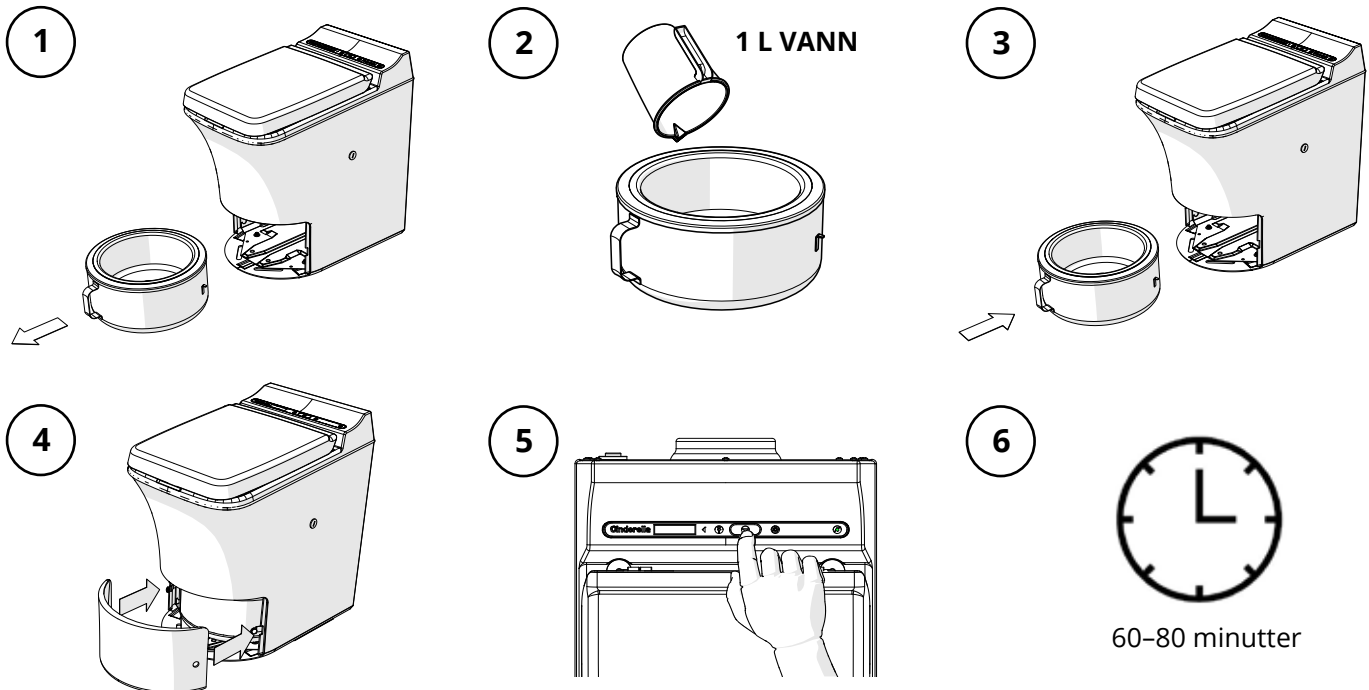
- For at toalettet skal fortsette å fungere best mulig, anbefaler vi å rengjøre med damp som beskrevet i avsnitt 4.2.2, hver gang du tømmer og vasker innsatsen. Det forhindrer avsetning av tjære og andre uønskede avleiringer i katalysatoren og toalettets utløpssystem.
- Forsikre deg om at toalettet er tilkoblet nettstrøm ved tømning. Uten strømtilførsel kan ikke systemet tilbake stille brukstilleren etter tømning.

4.2.2 DAMPRENGJØRING AV KATALYSATOREN

Anbefalt hyppighet: ved tømning av askebeholderen eller senest etter 500 gangers bruk. Slik utfører du damprengjøringen:

1. Forsikre deg om at toalettet er kaldt, og at askebeholderen er tømt og rengjort (se avsnitt 4.2.1).
2. Ta av frontdekselet og frigjør askebeholderen.
3. Hell cirka én liter rent vann i toalettinnsatsen.

4. Sett inn askebeholderen forsiktig uten å søle vann og sett frontdekselet på plass.
5. Løft lokket og kontroller at viften begynner å rotere.
6. Trykk på «startknappen» for å starte en forbrenningssyklus.
7. Vannet begynner å koke, og dampen vasker bort eventuelt rusk i katalysatoren. Denne systemrengjøringen tar normalt 60 til 80 minutter.



OBS!

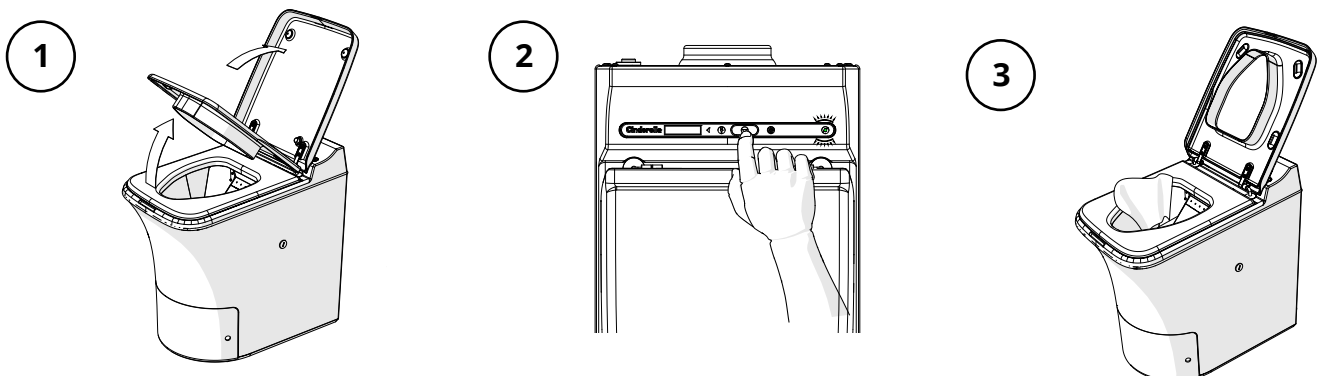
Ikke bruk toalettet under vedlikehold, det vil redusere rengjøringens funksjon. Toalettet kan brukes når toalettet går tilbake til hvilemodus igjen.

4.2.3 RENGJØRING AV SKÅLEN

Anbefalt hyppighet: ved behov av hensyn til renslighet og ved tømning av askebeholderen.

Slik rengjør du skålen:

1. Åpne toalettlokket.
2. Trykk på «startknappen» og hold den inne i tre sekunder for å åpne luken til vaskeposisjon.
3. Bruk fuktig papir, vann og et mildt rengjøringsmiddel etter behov. Lukk lokket og start forbrenningen.



FARE!

Ikke bruk brennbare rengjøringsmidler til å rengjøre skålen. Noen metallkanter kan være skarpe. Toalettet må være avkjølt og i hvilemodus før du rengjør skålen.



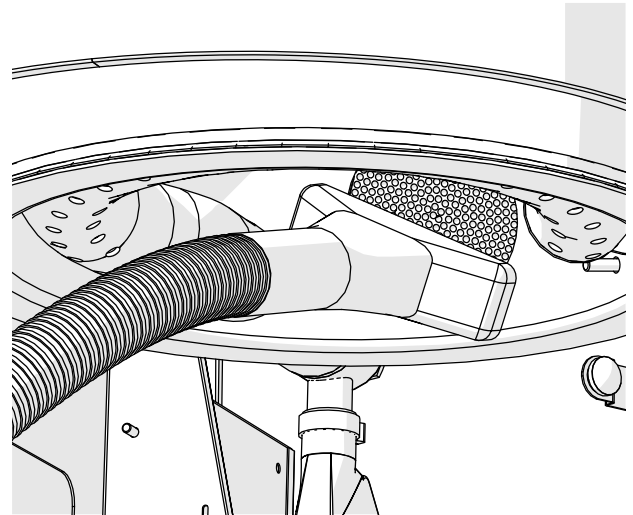
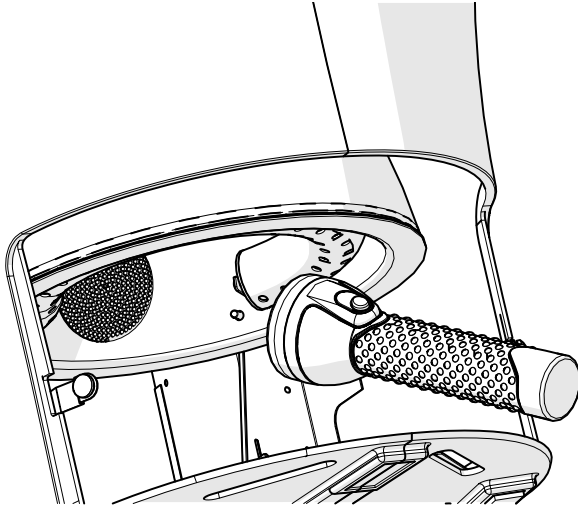
FORSIKTIG!

Ikke bruk klorbaserte rengjøringsmidler til å rengjøre skålen. Klor er svært skadelig for katalysatoren, og hvis det has i toalettet, kan det føre til at katalysatoren slutter å fungere som den skal.

4.2.4 INSPEKSJON OG RENGJØRING AV KATALYSATOREN MED STØVSUGER

Anbefalt hyppighet: etter 500 gangers bruk.

Katalysatoren er den primære luftkanalen mellom forbrenningskammeret og avtrekkskoblingen på toalettet. Eventuelle ansamlinger av partikler i katalysatoren vil redusere strømningshastigheten og toalettets effektivitet. Derfor er det viktig å sørge for at katalysatoren alltid er åpen. Eventuelle endringer i forbrenningstid og/eller forbrenningseffektivitet kan skyldes at katalysatoren er tett. Damprenngjøring, som beskrevet i avsnitt 4.2.2, er den beste og enkleste måten å rengjøre katalysatoren på. Du kan også inspisere fronten av katalysatoren ved å ta ut askebeholderen og lyse opp forbrenningskammeret fra innsiden. Eventuelle ansamlinger av partikler kan fjernes med støvsuger.



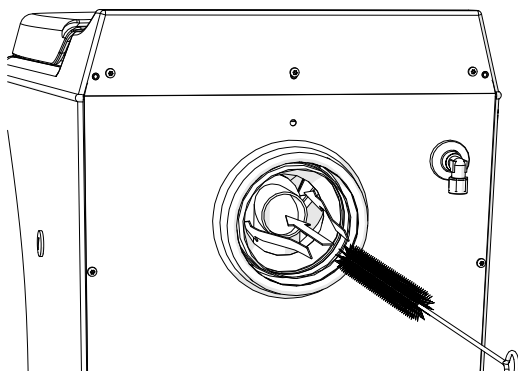
OBS!

Ved tydelige tegn på korrosjon eller deformasjon må katalysatoren byttes. Kontakt den lokale serviceleverandøren for å avtale service.

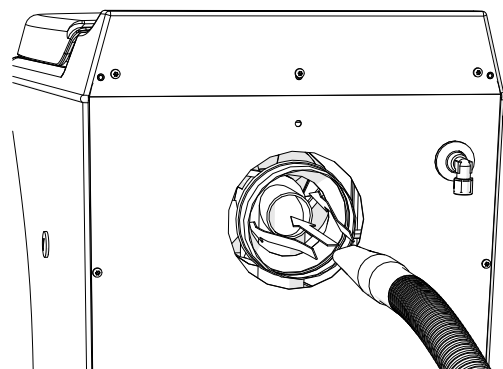
4.2.5 RENGJØRING AV TOALETTETS AVTREKSKOBLING

Anbefalt hyppighet: senest etter 500 gangers bruk.

1. Toalettet må kobles fra avtrekksrør og strømkilden.
2. Rengjør avtrekkskoblingen med en fleksibel børste. Det er viktig å rengjøre både utløpsrøret og venturirøret helt tilbake til viftebladene for å få tilstrekkelig luftstrøm.
3. Ta ut askebeholderen og fjern eventuelt rusk i beholderen.
4. Bruk en støvsuger til å suge ut gjenværende rusk fra utløpsrøret og katalysatoren.
5. Koble toalettet til avtrekksrøret og strømforsyningen igjen.
6. Installer askebeholderen og frontdekselet.
7. Vi anbefaler at du utfører en damprenngjøring som beskrevet i avsnitt 4.2.2, etter at du har vedlikeholdt avtrekkskoblingen.



RENGJØR UTLØPS- OG VENTURIRØR

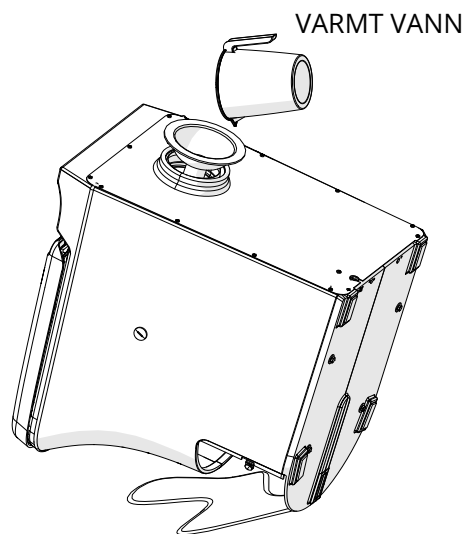


STØVSUG UTLØPS- OG VENTURIRØR

4.2.6 SKYLING AV KATALYSATOREN MED VARMT VANN

I tilfeller der damprengjøring ikke fjerner partikler eller dårlig lukt, kan det være nødvendig å skylle katalysatoren med vann. Dette medfører tunge løft og må gjøres et sted der vannsøl er uproblematisk. Følg trinn 1 til 4 under avsnitt 4.2.5 «Rengjøring av toalettets avtrekkskobling», og deretter følgende trinn:

1. Plasser toalettet et sted der det er greit å søle vann, for eksempel i et rom med egnet avløp, ute eller i et badekar. Bruk den spesialkonstruerte Cinderella-trakten eller en trakt som passer i utløpsrøret. Vipp toalettet fremover og hell to til tre liter varmt vann gjennom utløpsrøret og katalysatoren. Det overskytende vannet skal være rent ved slutten av skylleprosessen. Bruk om nødvendig mer vann for å rengjøre systemet ordentlig.
2. Gjenta trinn 1 fire til fem ganger til vannet er rent og du ikke finner noen krystaller eller andre hindringer når du inspiserer katalysatoren (se avsnitt 4.2.4).
3. Koble toalettet til avtrekksrøret og strømforsyningen igjen.
4. Installer askebeholderen og frontdekselet.
5. Utfør ytelsestesten som beskrevet i avsnitt 2.8.



OBS!

Inspiser katalysatoren og utfør damprengjøring som beskrevet i avsnitt 4.2.2, før du kobler fra toalettet og skyller systemet med varmt vann. Hvis katalysatoren fortsatt er tett, eller hvis det fremdeles er merkbar lukt ved forbrenning, bør du skylle katalysatoren med varmt vann som beskrevet i avsnitt 4.2.6.



FORSIKTIG!

Forsiden av det ytre skallet er tynt og bør derfor ikke bære hele vekten av toalettet. Vær forsiktig når du vipper toalettet og pass på at det er plassert i en posisjon som gjør at toalettets skallet er beskyttet. Det anbefales å være to om denne oppgaven, slik at den ene kan holde toalettet mens den andre skyller katalysatoren.

5. FEILSØKING OG SVAR PÅ VANLIGE SPØRSMÅL



ADVARSEL!

Service skal utføres i samsvar med alle gjeldende nasjonale og lokale forskrifter. Hvis du er usikker på hvilke regler som gjelder, kontakt nærmeste forhandler eller servicerepresentant for mer informasjon. Strømtilførselen skal kobles fra når du utfører service og vedlikehold på toalettet.

Feilsøkningsmodul på nettet

Lyd- og lyssignalene fra toalettets betjeningspanel indikerer toalettets driftsstatus. Nedetid og feil på toalettet blir varslet med ulike lyd- og lyssignaler som beskrevet i avsnitt 5.1 i denne håndboken. Vi har samlet de vanligste feilene/problemene i en feilsøkningsmodul på nettet, så det er lett å få svar på hva som feiler toalettet, og forslag til hvordan du selv kan løse problemet.

Tomt for gass

Mangelfull forbrenning og en blinkende gul lampe på displayet kan indikere at propantanken er tom og må etterfylles eller byttes ut.

Tilbakestille toalettssystemet

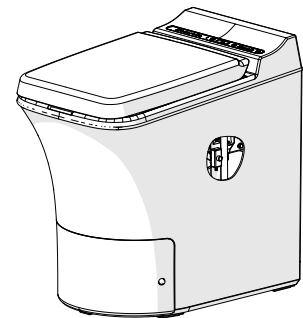
Under rengjøring og feilsøking kan det noen ganger være nyttig å tilbakestille elektronikken. Det gjør du ved å trykke på «startknappen». Da hører du et kort pip. Hold knappen inne i cirka åtte sekunder til du hører et langt pip, og slipp deretter knappen.

Feilmeldinger

Når lampene blinker, må du sjekke årsaken og løse problemet før du bruker toalettet. I tilfelle uregelmessigheter som lukt, dårlig forbrenning eller systemfeil, må du handle umiddelbart for å unngå skade på toalettet og unødvendige reparasjonskostnader.

Utløst bimetaltermostat

Bimetaltermostaten utløses hvis den innvendige temperaturen i toalettet blir for høy. Dette skjer normalt på grunn av manglende luftgjennomstrømning eller delvis blokkering av luftinntaks- eller avtrekksdelen av installasjonen. Derfor er det viktig at du sjekker at luftinntaket er i henhold til spesifikasjonene, og at avtrekkskanalen er åpen og fri for fremmedlegemer. Kontroller katalysatoren visuelt og utfør prosedyren for damprengjøring som anvist i avsnitt 4.2.2. For å tilbakestille termostaten, skru ut plastskruen på siden av toalettet, trykk på knappen og skru inn plastskruen igjen.



Ved strømbrudd

Hvis strømmen går under en forbrenningsprosess, kan det midlertidig oppstå lukt fra innsiden av toalettet og røyk og lukt fra avtrekksrøret utenfor. Siden forbrenningen ikke gjenopptas automatisk når strømmen kommer tilbake, må du starte en ny forbrenningssyklus manuelt. Dersom strømbruddet forventes å vare i mer enn to timer, må du tømme eventuelt avfall fra toalettet, siden toalettet kan ta skade dersom avfallet blir liggende over lengre tid. Bruk aldri toalettet under strømbrudd.

Lukt i rommet

Lukt kan ha flere årsaker:

1. Det er ikke plassert en ny papirpose i skålen etter at toalettet har vært brukt, eller papirposen er plassert feil.
2. Luftstrømmen kan være blokkert. Kontroller avtrekksrøret og hetten.
3. Kontroller at installasjonen er utført i henhold til håndboken. Begrenset trekk i avtrekksrøret kan forårsake mottrykk og lukt i rommet.
4. Utløpsrøret kan være tilstoppet. Se avsnitt 4.3.1.
5. Katalysatoren kan være tilstoppet. Se avsnitt 4.3.1.
6. Avtrekksrøret er ikke skikkelig festet til toalettet. Se avsnitt 2.5.1.

Lukt utendørs

Årsakene kan være de samme som for lukt inne i rommet, eller:

1. Katalysatoren har ikke nådd driftstemperaturen. Når toalettet er kaldt, kan det ta noen minutter før katalysatoren når den temperaturen der den begynner å fungere ordentlig.
2. Katalysatoren kan være korrodert eller deformert. Kontakt serviceleverandøren.

5.1 FEILSØKINGSTABELL



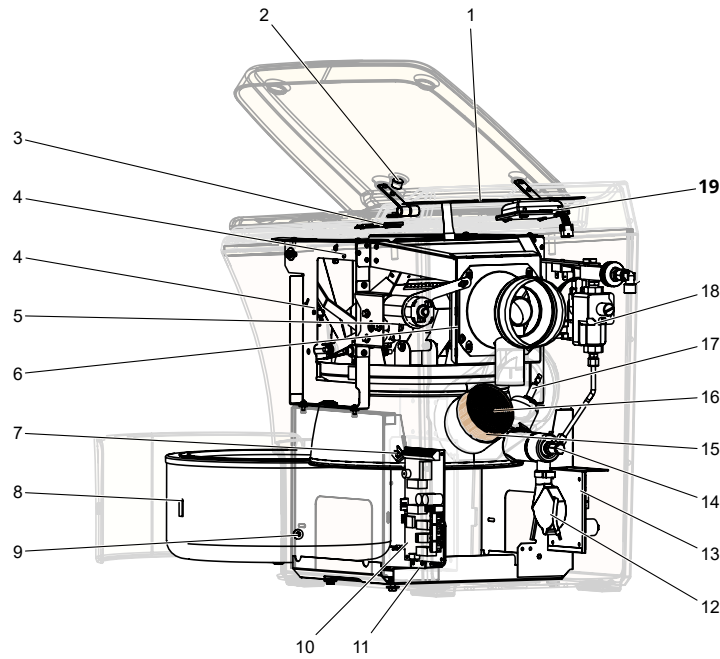
OBS!

Cinderella har utviklet en digital feilsøkningsmodul som ligger ute på nettstedet vårt. Modulen fungerer som en veiledning og et supplement til feilsøkingstabellen. Besøk oss på www.cinderellaeco.com

FEIL	DISPLAYMELDING	RØD LAMPE	GUL LAMPE	GRØNN LAMPE	STØY	TILTAK
Askebeholderen bør tømmes.	Tøm askebeholderen	BLINKER vekselvis	BLINKER vekselvis	STABILT PÅ	3 PIP	1 Ta ut og tøm askebeholderen. *Toalettet skal kobles til 230 V.
Askebeholderen må tømmes. Toalettet er låst.	Toalettet er låst, beholderen er full	STABILT PÅ	STABILT PÅ	STABILT PÅ	3 PIP MED 10 SEKUNDERS MELLOMROM	1 Ta ut og tøm askebeholderen. *Toalettet skal kobles til 230 V.
Ingen strømtilførsel.	Blank skjerm	AV	AV	AV		1 Kontroller at toalettet er koblet til 230 VAC.
Feil ved ventilasjonsvifte.	Viftefeil	BLINKER	AV	BLINKER	10 PIP	1 Kontroller viften for hindringer og forsikre deg om at viften roterer som den skal. 2 Tilbakestill toalettet (hold «startknappen» inne). 3 Åpne lokket til den røde lampen blinker, lukk lokket og trykk på «startknappen». Hvis feilen vedvarer, ring kundeservice.
Funksjonsfeil ved lukemekanismen.	Feil ved luke	BLINKER	AV	STABILT PÅ	10 PIP	1 Tilbakestill toalettet hvis det er varmt. 2 Åpne lokket til den røde lampen blinker, lukk lokket og trykk på «startknappen». 3 Hvis dette ikke fungerer, tilbakestill toalettet, plasser en papirpose i skålen, hell tre kopper vann i posen, lukk lokket og trykk på «startknappen». 4 Hvis dette ikke fungerer, vent til toalettet er avkjølt (viften stanser). 5 Start toalettet på nytt, åpne lokket når luken åpnes, og fjern fastsittende gjenstander for hånd. Hvis problemet vedvarer, ring kundeservice.
Askebeholderen er feil plassert.	Askebeholder feil plassert	BLINKER	BLINKER	STABILT PÅ	3 PIP	1 Juster plasseringen av askebeholderen, roter håndtaket mot venstre. 2 Sjekk at stoppinnen på beholderen er intakt. 3 Kontroller visuelt tilstanden til magneten på beholderen. Hvis problemet vedvarer, ring kundeservice.
Varmekretsen er avbrutt.	Feil i brennersystem	AV	BLINKER	STABILT PÅ	KONTINUERLIGE PIP	1 Tilbakestill toalettet. 2 Kontroller bimetaltermostaten på høyre side av toalettet. Skru ut den grå pluggen og trykk på sikringen inni med fingeren: Ikke bruk en skarp gjenstand. Hvis sikringen ble utløst, hører du et klikk. Se kapittel 5. 3 Hvis sikringen ikke var problemet, starter du toalettet på nytt og prøver å starte forbrenningsprosessen. Gjenta et par ganger. Hvis problemet vedvarer, ring kundeservice.
Toalettlokk-sensoren er utløst.	Lokk åpent	BLINKER	AV	STABILT PÅ	INGEN	1 Sjekk magneten på innsiden av toalettlokket og lukk lokket. Hvis problemet vedvarer, ring kundeservice.
Funksjonsfeil ved temperatursensor.	Feil ved temperatursensor	AV	BLINKER	BLINKER	KONTINUERLIGE PIP	1 Tilbakestill toalettet. 2 Åpne lokket til den røde lampen blinker, lukk lokket og trykk på «startknappen». 3 Hvis feilen vedvarer, ring kundeservice.
Uleselig/ingen displaymelding.	Uleselig/blank skjerm					1 Koble fra toalettet og vent i fem minutter. 2 Koble til toalettet og start det på nytt. 3 Hvis problemet vedvarer, ring kundeservice.

6. REPARASJONER OG RESERVEDELER

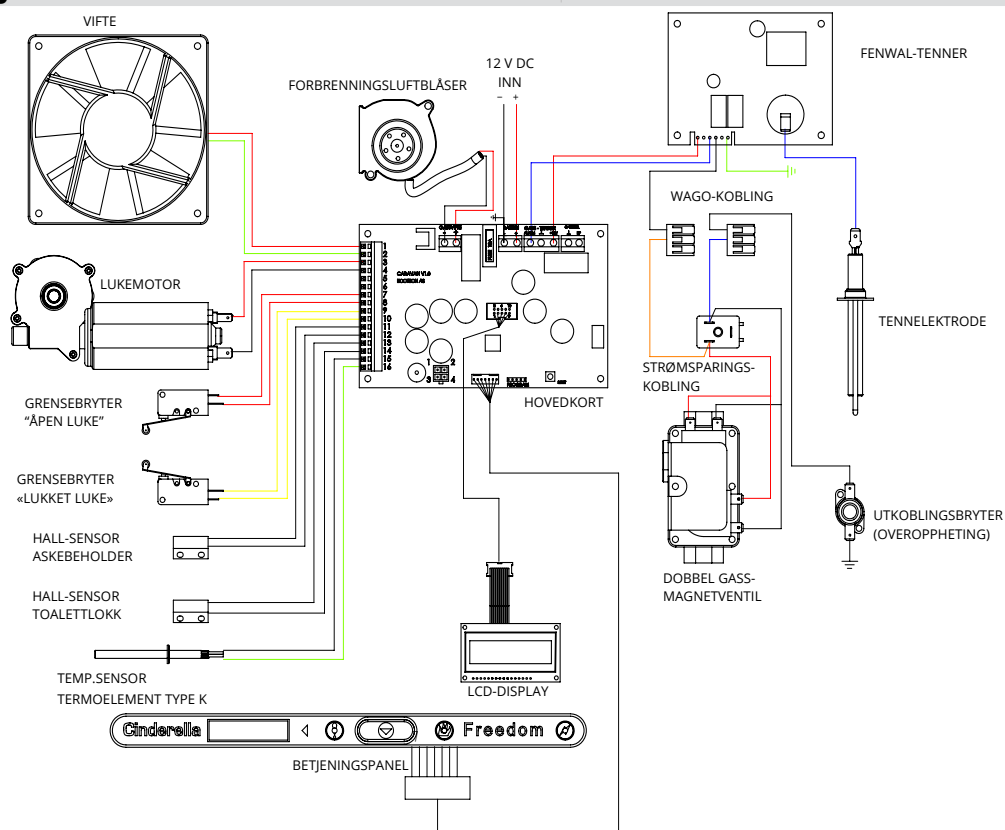
6.1 RESERVEDELSLISTE



ID	DELEBESKRIVELSE	ART. NR.
1	Betjeningspanel	100981
2	Magnet 14 × 10 mm	100433
3	Hall-sensor med ledning og tape L = 330 mm	100964
4	Mikrobryter	101127
5	Motor Nidec 12/24 VDC	101177
6	Aksialvifte 12 VDC 119 × 38 mm	100154
7	Termoelementenhet	100831
8	Stoppbrakett 9 × 26 × 12 mm	100017
9	Magnet 14 × 7 mm	100065
10	Kretskort, gass	100989

ID	DELEBESKRIVELSE	ART. NR.
11	Hall-sensor	100228
12	Sentrifugalvifte 51 × 51 × 15 mm	100542
13	Fenwal-tenner	100424
14	Gassdyse 8" WC propan SM	101414
15	Isolasjonsstoff 275 × 90 × 2 mm	100163
16	Katalysator 90 × 75 mm	100528
17	Tennelektrode	100196
18	Gasskontroll – Maxitrol CV200	101224
19	LED-display 65 × 36 × 13 mm	100401

6.2 KOBLINGSSKJEMA



7. Garanti

Hva dekkes av denne garantien?

Denne garantien dekker defekter i materialer eller utførelse i ditt Cinderella forbrenningstolett, på de betingelsene, i den perioden og med de unntakene som er beskrevet nedenfor.

Hva dekkes ikke av denne garantien?

Denne garantien dekker ikke normal slitasje eller skader som skyldes ulykker (herunder brann, oversvømmelse, orkan eller annen naturkatastrofe), misbruk, feil bruk, manglende overholdelse av produsentens anvisninger eller feil vedlikehold. Garantien dekker ikke følgeskader eller tilfeldige skader. Cinderella Eco Group har ingen «på stedet»-garanti. Det betyr at toalettet må transporteres til en autorisert serviceleverandør som kan utføre servicen. Hvis dette ikke er mulig, kan forhandleren fakturere en transport- eller reisekostnad.

Hvor lenge gjelder garantien?

For vanlige kunder gjelder denne garantien i en periode på tre (3) år fra den opprinnelige kjøpsdatoen. Bedriftskunder får ett (1) års garanti.

Hva vil Cinderella Eco Group gjøre?

Hvis du sender inn et gyldig krav under denne garantien, vil Cinderella Eco Group etter eget skjønn enten reparere, erstatte eller refundere kjøpesummen for ditt Cinderella forbrenningstolett.

Hvordan får jeg service?

Kontakt forhandleren eller en autorisert serviceleverandør i ditt land. Tilgjengelige servicealternativer avhenger av landet servicen ønskes utført i. Det kan bli bedt om å fremlegge kjøpsbevis når du fremsetter et krav under denne garantien. Du finner mer informasjon om garantien på nettstedet vårt: www.cinderellaeco.com

Cinderella Eco Group AS

Sjøvikvegen 67, 6475 Midsund
www.cinderellaeco.com

INNEHÅLL:

1. ALLMÄNT	3
1.1 INLEDNING	3
1.2 TILLÄMPNING I ENLIGHET MED BESTÄMMELSER	3
1.3 BRUKSANVISNING	3
1.4. ANSVARSBEGRÄNSNING	3
1.5 TESTER OCH CERTIFIERINGAR	3
1.6 MILJÖKRAV	3
1.7 ALLMÄNNA SÄKERHETSANVISNINGAR	4
1.8. TYP SKYLT	5
1.9 CINDERELLA ONLINE	5
2. MONTERING	6
2.1 PACKA UPP TOALETTEN OCH TILLBEHÖREN	6
2.2 MÅTTSPECIFIKATIONER	6
2.3 CINDERELLA MONTERINGSSATS ORIGINAL	7
2.4 INSTALLATION, SPECIFIKATION	8
2.4.1 SPECIFIKATIONER AV DELAR OCH MATERIAL	8
2.5 MONTERA CINDERELLA FÖRBRÄNNINGSTOALETT	8
2.5.1 MONTERA FRÅNLUFTSRÖR	9
2.5.2 ANSLUTNING AV LUFTVENTIL	10
2.5.3 MONTERA CINDERELLA ORIGINALHUV TILL SKORSTEN	11
2.5.4 GASINSTALLATION	11
2.6 SPECIFIKATIONER OCH KRAV GÄLLANDE ELANSLUTNING	12
2.7 TA BORT TRANSPORTSÄKRINGSREM	12
2.8 CHECKLISTA FÖR VERIFIERING AV SLUTFÖRD INSTALLATION	13
2.9 PRESTANDATEST FÖR VERIFIERING AV SYSTEMETS FUNKTIONALITET	13
3. ANVÄNDNING	14
3.1 AVSEDD ANVÄNDNING OCH HANTERING	14
3.2 ALLMÄN SÄKERHET	14
3.3 SÄKERHETSANVISNINGAR VID GASDRIFT	14
3.4 SÄKER DRIFT	14
3.5 CINDERELLA FREEDOM SÄKERHETSFUNCTIONER	14
3.6. VIKTIG INFORMATION TILL ANVÄNDARE	15
3.7 KONTROLLPANELEN	16
3.8 ANVÄNDA CINDERELLA FREEDOM	17
3.9 HANTERA FRONTPANELEN OCH ASKBEHÅLLAREN	18
4. ALLMÄNT UNDERHÅLL	19
4.1 SLUTPRODUKTENS EGENSKAPER	19
4.2 ALLMÄNT UNDERHÅLL	20
4.2.1 TÖMNING OCH RENGÖRING AV ASKBEHÅLLARE	20
4.2.2 ÅNGRENGÖRING AV KATALYSATORN	20
4.2.3 RENGÖRING AV TOALETTSKÅLEN	21
4.2.4 KONTROLLERA OCH RENGÖRA KATALYSATORN MED DAMMSUGARE	22
4.2.5 RENGÖRA RÖRANSLUTNING	22
4.2.6 SKÖLJA KATALYSATORN I VARMVATTEN	23
5. FELSÖKNING OCH VANLIGA FRÅGOR	24
5.1 FELSÖKNINGSTABELL	25
6. REPARATIONER OCH RESERVDELAR	26
6.1 LISTA ÖVER RESERVDELAR	26
6.2 KOPPLINGSSCHEMA	26
7. GARANTI	27

1. ALLMÄNT

1.1 INLEDNING

Det är viktigt att säkerställa att ventilationen är tillräcklig och uppfyller de riktlinjer som anges i denna bruksanvisning. Detta för att din nya Cinderella-toalett ska fungera korrekt. Felaktig montering kan orsaka funktionsfel, slitage och/eller luktproblem, samtidigt som garantin blir ogiltig. När produkten ska monteras ska de tekniska och administrativa bestämmelser som gäller i aktuellt land följas.

1.2 TILLÄMPNING I ENLIGHET MED BESTÄMMELSER

Denna produkt är designad för förbränning av kroppsliga avfallsprodukter och mindre hygienprodukter som toalettpapper och våtservetter som inte innehåller alkohol.

Produkten får inte installeras i husbilar, husvagnar eller liknande flyttbara utrymmen.

1.3 BRUKSANVISNING

Läs denna bruksanvisning noga innan du monterar och börjar använda produkten. Förvara dessa instruktioner på en säker plats så att du vid behov kan ta fram dem. Om du överlåter produkten till någon annan ska även denna bruksanvisning överlämnas.

Detta är instruktioner om hur man monterar, hanterar och underhåller produkten på ett korrekt sätt. Det är viktigt att både montören och användaren läser igenom instruktionerna i denna bruksanvisning. Den innehåller även information om professionellt underhåll samt service och reparationer.

En digital version av detta dokument, samt ytterligare information finns på www.cinderellaeco.com

1.4 ANSVARSBEGRÄNSNING

Tillverkaren tar inget ansvar för skador i följande fall:

- Felaktig montering
- Skador som orsakats av anslutning till felaktig spänning
- Modifieringar som gjorts utan uttryckligt godkännande från tillverkaren
- Användning för andra ändamål än de som beskrivs i denna bruksanvisning
- Underlåtenhet att följa instruktionerna gällande drift och underhåll
- Tillämpningar som inte är i enlighet med lagar och regler
- Användning av andra toalettpåsar och reservdelar än originalversionerna

1.5 TESTER OCH CERTIFIERINGAR

Cinderella Freedom har genomgått omfattande tester hos DBI och SLG i enlighet med EU:s standard avseende gassäkerhet och elektromagnetisk kompatibilitet.

1.6 MILJÖKRAV

- Omgivningstemperatur: -20–40 °C
- Användning på hög höjd: Testad upp till 1 500 m



OBSERVERA!

När Cinderella-toaletten är monterad ska avståndet mellan förbränningsdelen och övrig inredning vara minst: 50 mm åt sidorna, 50 mm från bakre vägg.

1.7 ALLMÄNNA SÄKERHETSANVISNINGAR



VARNING!

Säkerhetsanvisningar: Följ dessa instruktioner för att undvika allvarlig skada eller dödsfall.



VARNING!

Säkerhetsanvisningar: Dessa instruktioner måste följas för att skador ska kunna undvikas.



OBSERVERA!

Om dessa instruktioner inte följs kan det leda till materiella skador och försämrad funktionalitet.



OBS!

Tilläggsinformation gällande hantering av produkten.



VARNING!

- Spraya inte aerosoler i närheten av denna produkt när den är i drift.
- Använd eller förvara inte brandfarliga material i eller i närheten av denna produkt.
- Placera inte föremål mot eller ovanpå denna produkt.
- Modifiera inte produkten.



- Använd inte förbränningstoaletten om den har synliga skador.
- Om DC-strömkabeln till toaletten är skadad ska den av säkerhetsskäl bytas ut av tillverkaren, kundservice eller motsvarande behörig person.
- Använd aldrig tändare, levande ljus eller liknande för att kontrollera läckage i gasanslutningarna.
- Denna toalett får endast repareras av behörig personal. Bristfälliga reparationer kan medföra allvarliga säkerhetsrisker.
- Använd endast LPG-gas
- Gastycket ska alltid motsvara det som anges på typskylten på toalettens baksida.



VARNING!





- Varning för klämskador! Lägg inte handen mot gångjärnet eller under toalettringen när den är uppfälld eftersom det inte finns någon mjukstängningsfunktion.
- Töm inte askbehållaren när den är varm.
- Se till att strömkabeln och uttaget är torra innan produkten startas.



- Ta tag i toalettetskalet när toaletten ska flyttas. Greppa aldrig tag i strömkabeln, främre panelen, locket, toalettringen eller frånluftsuttaget.
- Kontrollera att den spänning som matas till toaletten överensstämmer med specifikationen på typskylten.
- Använd endast strömkablar med ett lämpligt tvärsnitt.
- Varning för överhettning! Se till att ventilationen är tillräcklig så att den värme och de partiklar som bildas under förbränning kan ledas ut genom skorstensröret. Säkerställ att luftflödet är tillräckligt. Se till att ventilationen in till toaletten är tillräcklig.
- Säkerställ att toaletten står tillräckligt långt från väggar eller andra föremål så att luften kan cirkulera.

1.8 TYP SKYL T

Typskylten sitter på baksidan av förbränningstoaletten. Där anges modellbeteckning, serienummer, klassificering och information om support. Du behöver ange dessa uppgifter när du kontaktar kundtjänst eller beställer reservdelar.

<p>MANUFACTURER</p>  <p>Cinderella Incineration Toilets</p> <p>CINDERELLA ECO GROUP AS Sjøvikvegen 67, 6475 Midsund, NORWAY For sales and support call +4777711500 or visit our web www.cinderellaeco.com</p> <p>CINDERELLA FREEDOM MODEL: PM02CS03EU SERIAL:</p>	<p>Appliance Specifications</p> <p>VOLTAGE..... 12V DC CURRENT 4 A GAS:..... PROPANE FAN BLOWER:..... 12V DC GAS SUPPLY PRESSURE: 30 mBar CAPACITY..... 3-4 PEOPLE PR. HOUR CONNECTED LOAD 425 G/H EFFECT..... 2.86 kW EXHAUST SYSTEM CONSTRUCTION -B22 DEVICE CATEGORY I3 B/P YEAR OF MANUFACTURING..... 2021 DESIGNED FOR..... HOME/CABINS, SANITATION WELFARE UNIT</p>	  
	<p>For information on how to claim warranty, support and recycle our product visit www.cinderellaeco.com</p>	

1.9 CINDERELLA ONLINE



REGISTRERA DIG FÖR "MY CINDERELLA"

När du registrerar din toalett i "My Cinderella" får du relevant information om våra produkter och tillgängliga supporttjänster samt specialerbjudanden för just din toalettmodell. I händelse av stöld finns registrerade toaletter kvar i vår databas.

Felsökning online

En komplett guide till din toalett med användbara råd och förbättringsåtgärder som gör att du kan lösa de flesta problem på egen hand utan att behöva tillkalla hjälp.

Lättillgänglig information

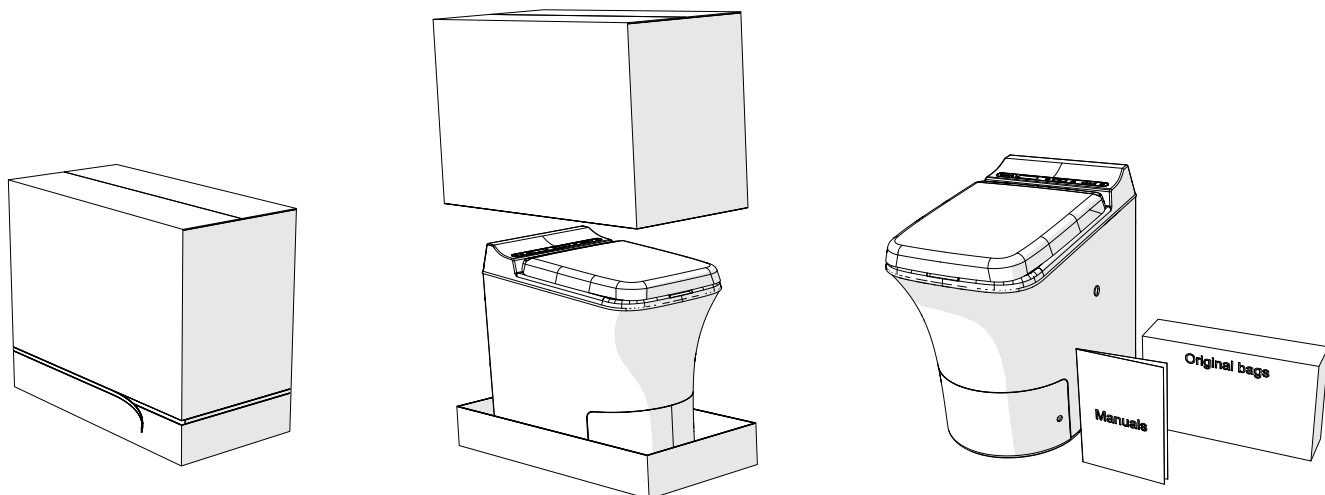
Du kan ladda ner produktdokumentation från vår dokumentationstjänst där du kan hitta produktmanualer, servicemanualer och en WEEE-manual gällande kassering (Waste Electrical and Electronic Equipment).

Service och reservdelar

Välj bostadsland och få en lista över lokala återförsäljare där du kan få service och reservdelar.

2. MONTERING

2.1 PACKA UPP CINDERELLA FÖRBRÄNNINGSTOALETT



OBS!

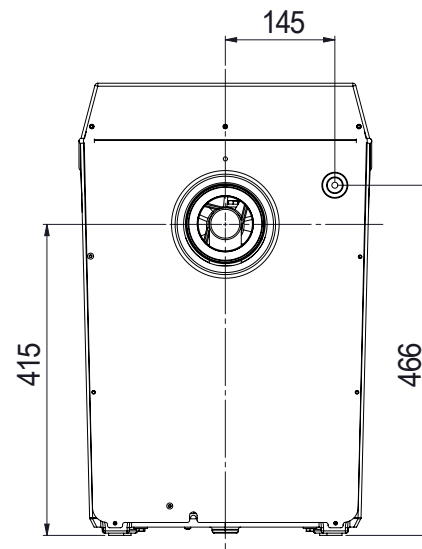
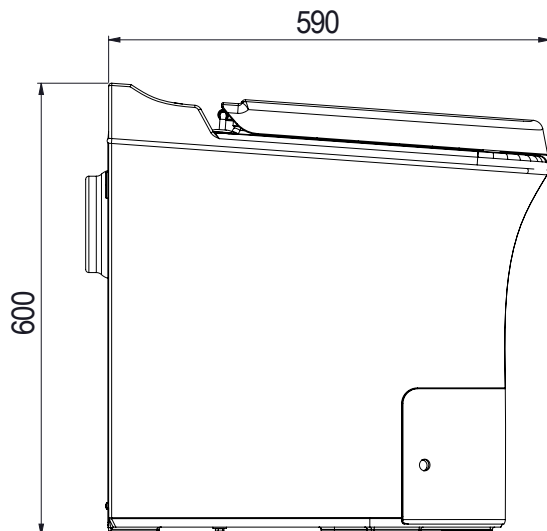
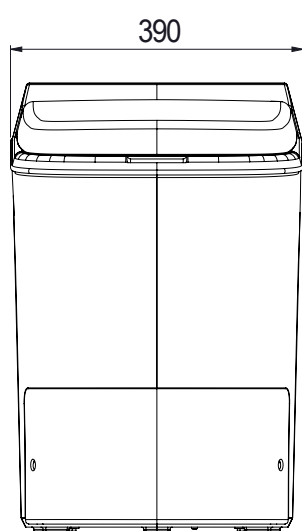
Öppna förpackningen genom att dra i remsan längst ner på lådan. Dra loss remsan hela vägen runt och lyft av lådan.

FÖRPACKNINGENS INNEHÅLL	ANTAL
Cinderella PM02CS03	1
Toalettpåsar	100
Bruksanvisning	1

2.2 MÅTTSPECIFIKATIONER

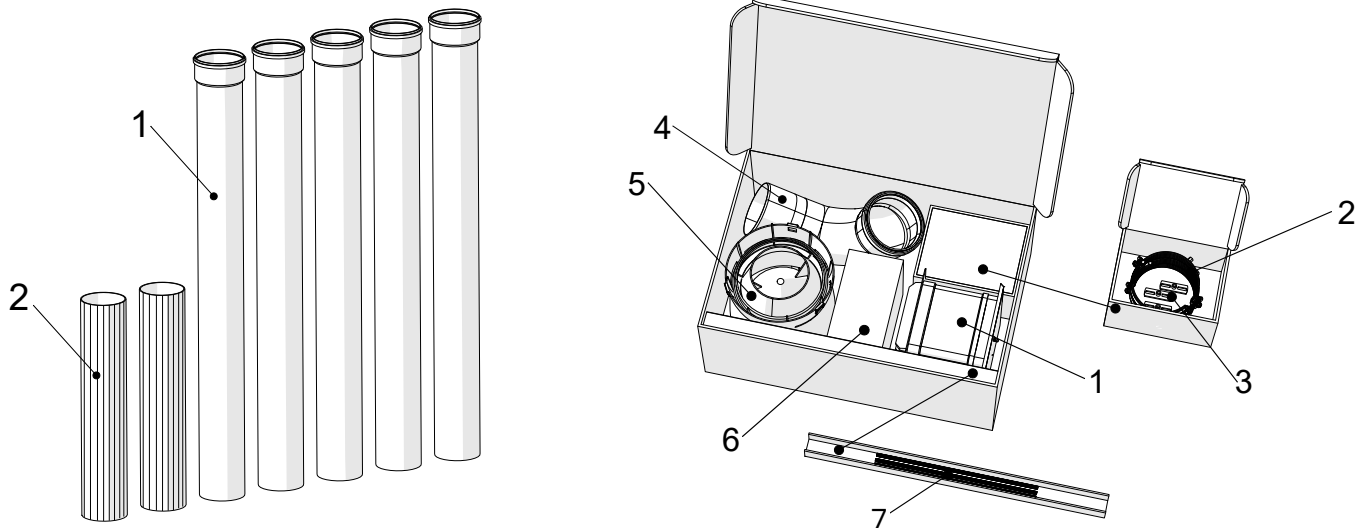
Höjd	600 mm
Sitthöjd	540 mm
Bredd	390 mm

Djup	590 mm
Höjd från mitten av frånluftsuttag	415 mm



2.3 CINDERELLA MONTERINGSSATS ORIGINAL

Cinderella Original monteringsats: Vi rekommenderar starkt att Cinderella Original monteringsats används vid monteringen. Detta kompletta paket innehåller alla delar som behövs för installationen och för att förbränningsprocessen och funktionaliteten ska bli optimala. I monteringsatsen finns två olika paket. Paket nr 1 innehåller en skorstenshuv och ett vinkelrör som optimerar luftflödet och förbränningseffektiviteten. Det ingår även ett specialdesignat 201 cm² stor tilluftsventil för optimal funktion. I setet finns även klämmor som används vid montering av frånluftsroren. Paket nr 2 innehåller 7 x 110 mm UV-stabiliserade PP-rör för installation av frånluftsventilationen.



CINDERELLA MONTERINGSSATS ORIGINAL		ANTAL
1	Skorstensrör 1066 mm hane-hona	5
2	Skorstensrör 500 mm hane-hane	2

CINDERELLA MONTERINGSSATS ORIGINAL		ANTAL
1	Tilluftsventil 160 mm (201 cm ²)	1
2	Rörklämma	3
3	Väggmonteringsstav	3
4	Böj 87 m/ kondensnippel	1
5	Regnhatt Flow	1
6	Gasol-regulator 30 m/bar*	1
7	Gängad stång 30 mm	3

*Endast Norge och Sverige



OBS!

- I denna handbok beskrivs hur toaletten monteras på bästa sätt med de delar som ingår i Cinderella Original monteringsats. Om du vill montera din Cinderella med andra delar än våra originalrör och -delar ska du se till att de uppfyller de specifikationer som anges i avsnitt 2.4.1 "specifikationer av delar och material".
- För att kunna garantera att din Cinderella förbränningstoarett ska fungera som avsett är det viktigt att ventilationen är tillräcklig och uppfyller specifikationerna i denna handbok. Om monteringslösningen avviker från tillverkarens specifikationer, eller om icke godkända delar används, kommer produkten att fungera felaktigt, slitas och orsaka dålig lukt samtidigt som garantin blir ogiltig.

2.4 INSTALLATION, SPECIFIKATIONER

2.4.1 SPECIFIKATIONER AV DELAR OCH MATERIAL

ARTIKEL	SPECIFIKATIONER
Skorstensrör	Cinderella Freedom ska alltid monteras med 110 mm-rör med slät insida och en inre diameter på minst 102 mm. Rörmaterialet måste tåla temperaturer över 100 °C och helst vara av PP- eller CPVC- typ. Vi rekommenderar starkt att Cinderella PP originalrör används.
Böj 87° (frånluft)	Cinderella Freedom ska alltid monteras med en rörvinkel med slät yta som inte begränsar luftflödet. Vi rekommenderar starkt att Cinderella original Böj 87° med dränering används.
Skorstenslock	Cinderella Freedom ska alltid monteras med en skorstenhuv som förhindrar att regnvatten kommer in och som begränsar luftflödet så lite som möjligt. Fläktar eller liknande ska inte användas för att ventileras Cinderella förbränningstolett. Vi rekommenderar starkt att Cinderella originalhuv för skorstenar används.



OBS!

- Skorstensrörets insida ska vara slät och inte tillbucklad eller räfflad.
- Montera aldrig nät i Skorstensröret eftersom luftflödet då kan begränsas.
- Böj 87° ska vara åtkomlig efter att den monterats så att dräneringsröret kan spolas ur och frånlufts-röret rengöras.
- Cinderella Freedom är godkänd för användning i badrum/våtrum (IP 34-klassificerad). De yttre delarna ska dock skyddas från vattenstänk.
- Toaletten ska placeras på ett stabilt och plant underlag. Den kan även placeras på ett uppvärmt golv.

2.5 MONTERA CINDERELLA FÖRBRÄNNINGSTOALETT

Det är viktigt att säkerställa att ventilationen är tillräcklig och uppfyller de specifikationer som anges i denna bruksanvisning. Detta för att din nya Cinderella-toalett ska fungera korrekt. Felaktig montering kan orsaka funktionsfel, slitage eller luktproblem samtidigt som garantin blir ogiltig. Läs igenom alla avsnitt noga innan du börjar montera toaletten. Arbetet ska utföras av en behörig person i enlighet med lokala bestämmelser.



OBSERVERA!

- Följ alla de tekniska och administrativa lagar och regler som gäller i det land där toaletten ska monteras. Vi rekommenderar att du kontaktar din lokala återförsäljare för att planera monteringen av din Cinderella-toalett.
- Montera aldrig ytterligare vinklar utöver rörvinkeln.
- Om röret ska gå genom taket ska arbetet utföras i enlighet med gällande byggbestämmelser.
- Använd inte flexibla kanaler eller rör när Cinderella-toaletten ska monteras.
- Anslut aldrig mer än en apparat till ventilationen.

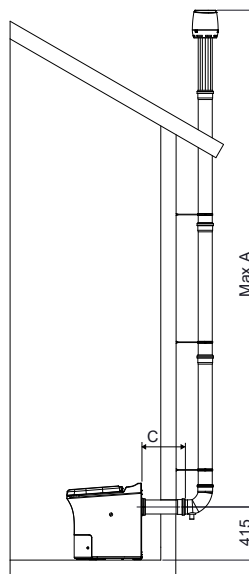
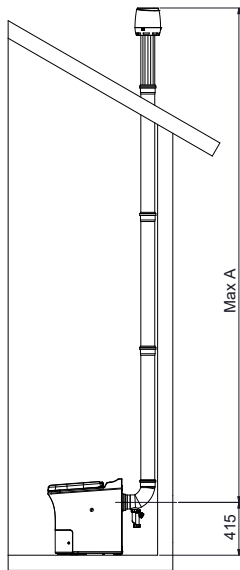


VARNING!

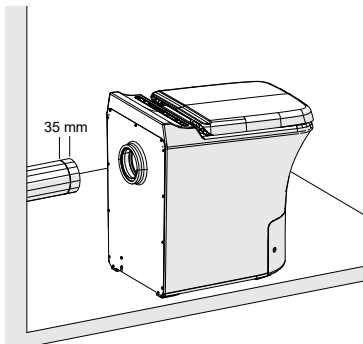
Försäkra dig alltid om att det inte går elledningar eller vattenrör i väggen där det ska göras hål.

2.5.1 MONTERA SKORSTENSRÖR

DIAMETER SKORSTENSRÖR	MONTERINGSRIKTNING	REFERENS	RÖRVINKLAR	MAXIMAL RÖRLÄNGD
110 mm	Horisontellt skorstensrör	C	(Ej tillåtet)	1,0 m
110 mm	Vertikalt skorstensrör	A	Inga	5,0 m

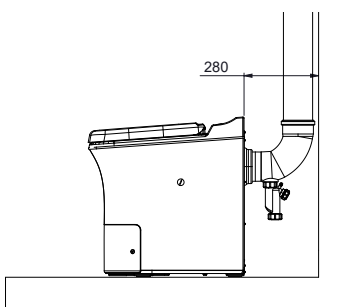


OBS!
Mittpunkten för ventilationsanslutningen sitter 415 mm över golvnivå.



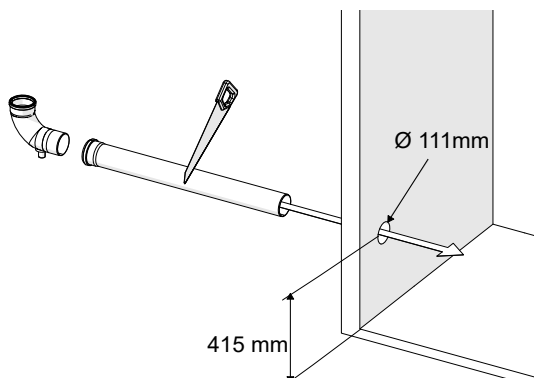
OBS!

Om du ska justera rörlängden bör du ta med i beräkningen att röret ska föras in 35 mm i ventilationsanslutningen på toaletten.



OBS!

Om röret ska monteras vertikalt, rakt upp från toaletten, ska avståndet mellan toaletten och väggen vara minst 280 mm.

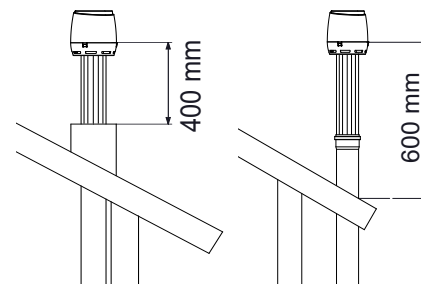


OBS!

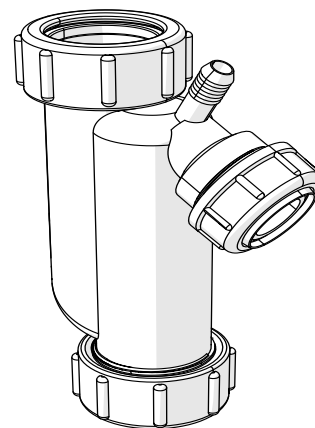
Cinderellas originalmonteringssett innehåller 5 x 1066 mm rör som används för frånlufts-lösningen. Rören levereras med anslutning och packning för förenklad montering. Om röret ska monteras på väggens utsida behöver det ledas genom väggen.

**OBS!**

- Röret ska alltid vara vertikalt monterat ovanpå taket och nå minst 600 mm ovanför takytan. Om frånluftsroret ska beklädas (t.ex. med metallbeläggning) ska röret sticka upp minst 400 mm ovanför beklädnaden.
- Om det är sannolikt att snö kommer att lägga sig på taket kan röret behöva förlängas och stabiliseras ordentligt. Kom ihåg att inte förlänga röret så mycket att maxgränsen överskrids.

**OBS!**

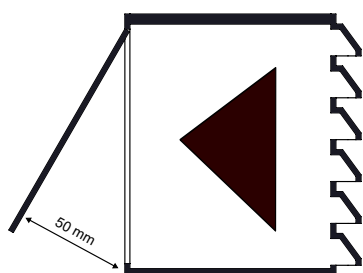
Cinderella erbjuder en specialdesignad "sifon" som passar till den rörvinkel som ingår i monteringssetsen. Sifonen kan köpas som tillbehör hos alla Cinderella-återförljare. Om installationen görs inomhus ska sifonen anslutas till rörvinkeln för att förhindra att kondens- och regnvatten droppar ner på golvet. Om kondensvattnet inte töms ut regelbundet kan golvet skadas.

**2.5.2 ANSLUTNING AV TILLUFTSVENTIL**

Det måste finnas ett luftintag som uppfyller tillverkarens specifikationer. Detta för att säkerställa att luftcirkulationen och syretillförseln blir tillräcklig. I Cinderella Original monteringssets ingår en specialdesignad luftventil som ger ett optimalt flöde och ökad effektivitet. Luftventilen ska helst monteras så nära Cinderella-toaletten som möjligt, så att lufttillförseln blir optimal och luften i rummet påverkas så lite som möjligt. Det är viktigt att inga andra luftförbrukande apparater används samtidigt som toaletten, exempelvis köksfläktar eller kaminer. Cinderella Freedom tar in luft främst från toalettens undersida. Det är därför möjligt att placera luftintaget under toaletten. Det gör att så mycket luft som möjligt kan isoleras till toaletten, så att luftmiljön i rummet påverkas så lite som möjligt.

**OBS!**

- Luftventilens mått ska vara minst 160 mm (diameter)/201 cm²
- Ventilen ska alltid vara öppen när produkten används. Kom ihåg att regelbundet rengöra ventilen.
- Se till att toalettens lufttillförsel inte får konkurrens från andra installationer, t.ex. en kamin eller köksfläkt.
- När toaletten används bör inte en separat ventilationsfläkt eller liknande användas för att suga ut luft från det rum där Cinderella Freedom står.
- Om du har öppen ventilation under toaletten, kan det vara en bra idé att sätta ett nät över hålet för att förhindra att insekter och skadedjur tar sig in i toaletten. Se till att nätet inte är för finmaskigt (maskorna bör vara minst 5 mm stora). Annars kan luftflödet begränsas.

**OBS!**

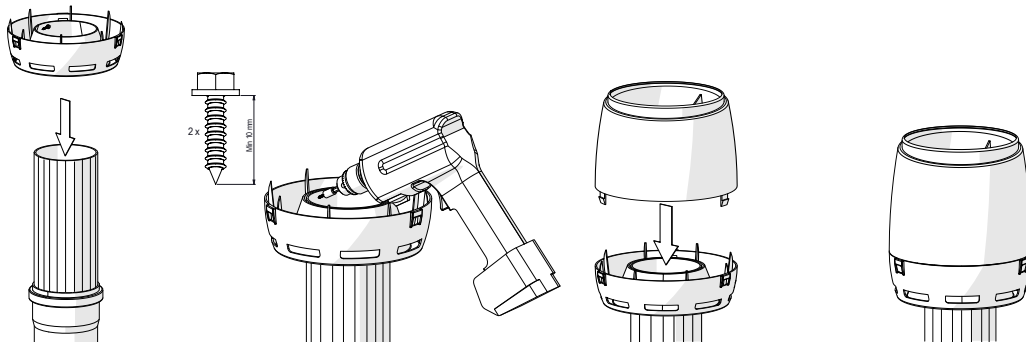
Om den installerade luftventilen har en justerbar öppning, ska den vara minst 75 mm öppen när toaletten används.

2.5.3 MONTERA CINDERELLA ORIGINAL REGNHATT FÖR SKORSTEN



OBS!

Cinderella monteringssett original innehåller en regnhatt som är designad för optimalt luftflöde och ökad effektivitet. Hatten består av två delar där den nedre delen fästs mot röret med skruv av rostfritt stål eller lim. Det gör att det går enkelt att montera och demontera huven när skorstensrören ska underhållas. Det 500 mm långa rör som följer med monteringssetten ska användas som avslutande del för anslutning till regnhatten.



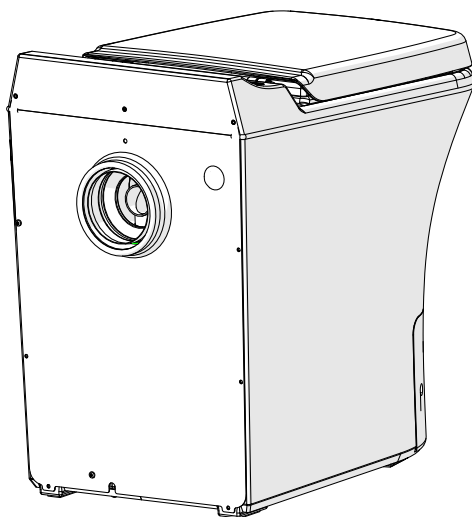
2.5.4 GASINSTALLATION

Se till att använda en godkänd gasregulator när gas ska anslutas till toaletten. Anslutningstypen är ¼" NTP.



VARNING!

- Gastrycket ska alltid överensstämma med det som anges på typskylten på toalettens baksida.
- Använd endast den typ av gas som anges på typskylten på toalettens baksida.
- Toaletten är endast avsedd för montering inomhus.



SPECIFIKATIONER	VÄRDE	KOMMENTAR
Bränsleförbrukning	160-190 g	Per förbränning
Ingående gastryck	30 mBar	
Gastyp	LPG	
Gasanslutning	G ¼" LH	
Öppningsstorlek	1 mm	

2.6 SPECIFIKATIONER OCH KRAV GÄLLANDE ELANSLUTNING

Produkten ska anslutas till korrekt spänning, frekvens och strömstyrka via en separat jordad krets som skyddas av en krets brytare med lämplig dimension. Vilken spänning, frekvens och strömstyrka som är korrekt anges i denna bruksanvisning samt på typskylten på toalettens baksida. Obs: Denna toalett ska anslutas till 12V 4A DC. Om den måste anslutas via ett 240V AC-uttag (GPO), bör du be din återförsäljare om en godkänd elkontakt.

Elanslutning	INEFFEKT	STRÖMSTYRKA	SÄKRING
	12V DC (11 – 14,4V)	4 A	10 A
Elförbrukning	VIOLÄGE	STANDBYLÄGE	FÖRBRÄNNINGSLÄGE
	0,005 A	0,09 A	1,3 A
Polaritet, anslutning	TVÄRSNITT	POSITIV	NEGATIV
	2 mm ²	Röd	Svart

De svarta respektive röda kablarna för DC-anslutningen får inte sammanföras, eftersom det då kan uppstå elektriska störningar och elkomponenter kan skadas. 12V-kabeln ska kopplas till en separat krets som går direkt till batteriet, och det ska finnas en 10 A-säkring i början av kretsen. Använd guiden till 12V-kablage för att beräkna rätt kabelstorlek baserat på kabellängd.

GUIDE TILL 12V-KABLAGE						
Ampere	1 m	2 m	5 m	6 m	8 m	10 m
4	2 mm ²	2 mm ²	2 mm ²	4 mm ²	4 mm ²	4 mm ²

Tänk på följande när toaletten ska anslutas till likström via elnätet:

- Kontrollera att kabeln är dimensionerad för den belastning som kretsen förväntas utsättas för, med en viss säkerhetsmarginal.
- Se till att kabelns tvärsnitt är dimensionerat för kabelns längd och att kabeln inte orsakar spänningsförlust.
- Kontrollera alltid kablarnas polaritet innan de ansluts. Om de ansluts till fel poler, gäller inte garantin.



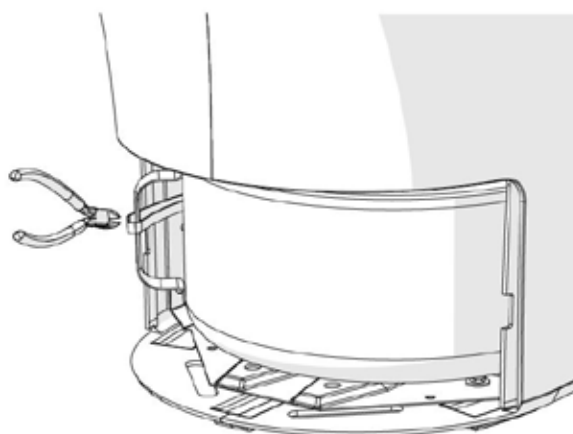
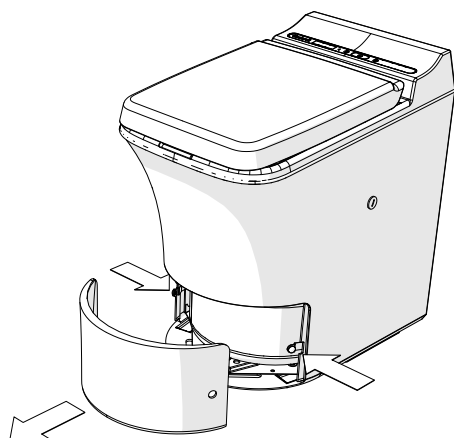
OBS!

- Anslutningskabeln ska dras så att den inte kommer i kontakt med vassa kanter.
- Om elektroniken eller anslutningskabeln måste modifieras ska arbetet utföras av en behörig elektriker eller motsvarande så att säkerhetsrisker kan undvikas.

2.7 TA BORT TRANSPORTSÄKRINGSREMSA

Askbehållaren är fastspänd med remsor som måste avlägsnas innan toaletten används:

1. Ta bort frontpanelen.
2. Klipp av och avlägsna de plastremmar som håller fast askbehållaren i stålramen.



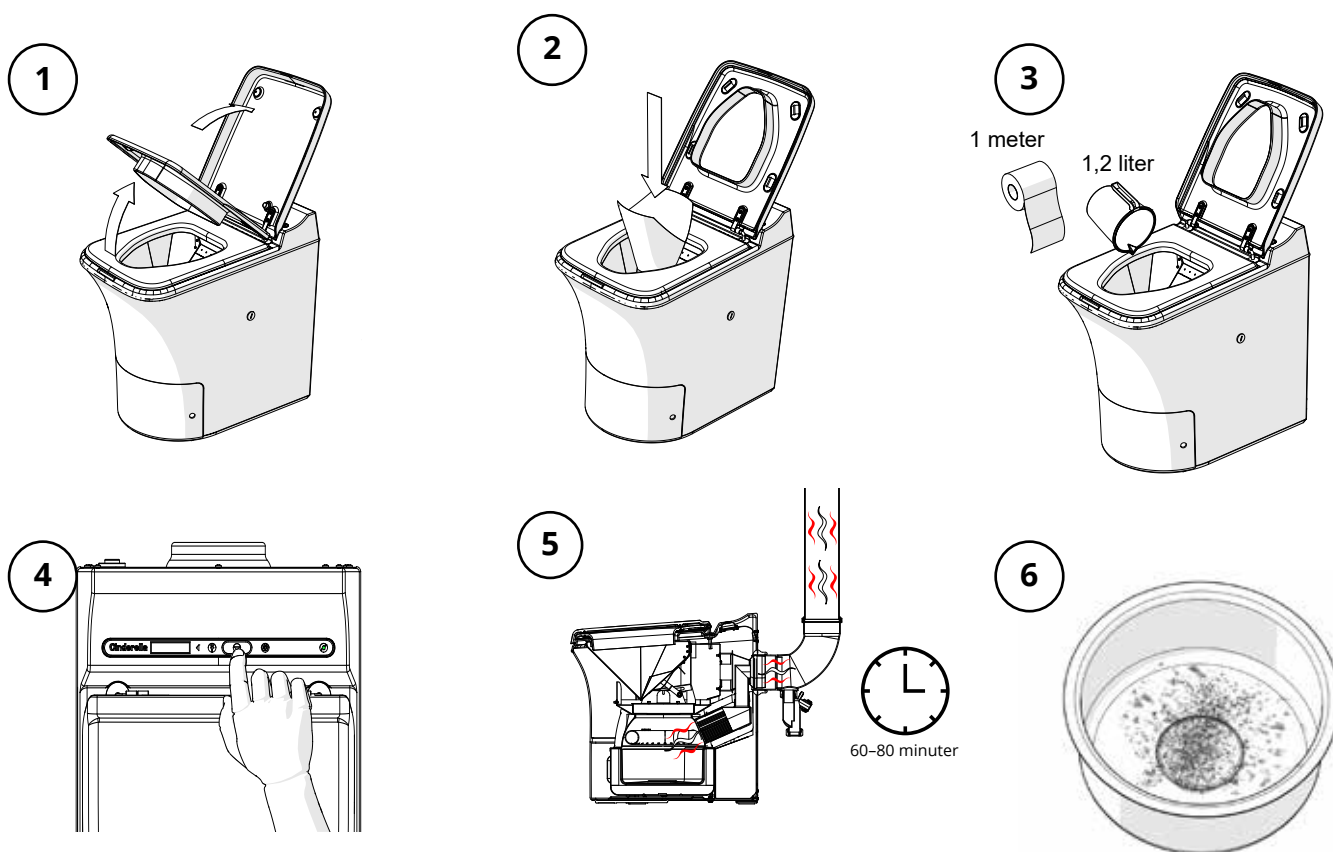
2.8 CHECKLISTA FÖR VERIFIERING AV SLUTFÖRD INSTALLATION

KONTROLLERA FÖLJANDE	KRAVET UPPFYLLT
Produkten är ansluten till den spänning som anges på typskylten	
Produkten är ansluten till det gstryck som anges på typskylten	
Produkten är monterad i enlighet med tillverkarens specifikationer	
Skorstensröret är monterat i enlighet med tillverkarens specifikationer	
Skorstenen mynnar ut minst 600 mm från takytan	
En självdränerande "sifon" har monterats där kondens sannolikt kan uppstå	
Material till skorstensröret har monterats i enlighet med tillverkarens specifikationer	
Regnhatten har monterats i enlighet med tillverkarens specifikationer	
Tilluftslösningen överensstämmer med tillverkarens specifikationer	

2.9 PRESTANDATEST FÖR VERIFIERING AV SYSTEMETS FUNKTIONALITET

När startknappen trycks in aktiveras förbränningscykeln. Den beräknade förbränningstiden för verifieringstestet är 60–80 minuter. Den gula lampan lyser när förbränning pågår och testet ska kunna slutföras utan att det förekommer felmeddelanden eller systemavbrott. Toaletten måste svalna tills dess att fläkten stannat innan askbehållaren kan tas ut. Nedkylningsfasen kan ta 60–90 minuter beroende på omgivningstemperatur.

Slutprodukten ska vara fin vit aska. Eventuellt avvikande utseende eller en förbränningstid som överstiger 90 minuter kan tyda på att skorstenskanalen är igensatt eller att det är brist på syre. Kontrollera att installationen överensstämmer med tillverkarens specifikationer, vilka anges i avsnitt 2 i denna bruksanvisning.



VARNING!

Askbehållaren blir mycket het under förbränning. Ta inte bort frontluckan förrän toaletten svalnat helt och fläkten stannat.



OBS!

- Prestandatestet är utformat för att genomföras innan toaletten börjar användas. Resultaten kan variera om testet utförs på använda toaletter.

3. ANVÄNDNING

3.1 AVSEDD ANVÄNDNING OCH HANTERING

Cinderella Freedom-toaletten är avsedd att monteras inomhus för användning i fritidshus, stugor, uthus, baracker, båthus och liknande. Toaletten är endast utformad för förbränning av kroppsliga avfallsprodukter och mindre hygienprodukter som toalettpapper, bindor och våtservetter som inte innehåller alkohol. Om Cinderella Freedom används för förbränning av andra föremål anses detta som felaktig användning och garantin blir då ogiltig.

Lägg inte något av följande i toaletten:

- Stora mängder papper av något slag
- Klorinbaserade rengöringsmedel
- Rengöringsservetter innehållande alkohol
- Tidningspapper
- Pappershanddukar
- Brandfarliga vätskor eller material
- Cigarettändare
- Cigaretter eller cigarrer
- Bensin
- Alkoholhaltiga drycker eller vätskor
- Rengöringssprit
- Nagellacksborttagning
- Tändvätska
- Lampolja/fotogen
- Aerosolbehållare
- Glas- eller plastflaskor, burkar etc.

3.2 ALLMÄN SÄKERHET



VARNING!

- Använd inte förbränningstoaletten om den har synliga skador.
- Om strömkabeln till toaletten är skadad ska den av säkerhetsskäl bytas ut av tillverkaren, kundservice eller en motsvarande behörig person.
- Denna förbränningstolett får endast repareras av behörig personal. Reparationer utförda av obehöriga personer kan medföra fara eller skada toaletten.
- Rengöring och underhåll får inte utföras av barn utan överinseende.
- Använd inte explosiva ämnen eller brandfarliga rengöringsmedel när toaletten ska rengöras.

3.3 SÄKERHETSANVISNINGAR VID GASDRIFT



VARNING!

- Använd aldrig en öppen låga för att kontrollera gasfyllda delar och rör beträffande läckage, eftersom detta medför brand- och explosionsrisk.
- I händelse av gaslukt:
 - Stäng gaskranen och ventilen på tuben.– Öppna alla fönster och lämna rummet.
 - Slå inte på eller av några strömbrytare.– Släck eventuella öppna lågor.
 - Anlita en specialist för att kontrollera gassystemet.

3.4 SÄKER DRIFT



VARNING!

- Askbehållaren i toaletten blir mycket varm under förbränning. Se till att säkerhetsluckan sitter på plats när toaletten används. Töm inte askbehållaren förrän toaletten har svalnat helt.
- Sittringen har ingen mjukstängningsfunktion. Akta därför händer och fingrar så att de inte kläms när locket eller sittringen faller ner.

3.5 CINDERELLA FREEDOM SÄKERHETSFUNCTIONER

- Förbränningsprocessen är inaktiv när toalettlocket är uppfällt. Förbränningen startar inte förrän locket och sittringen är nerfällna.
- Luckan till förbränningskammaren kan INTE öppnas så länge toaletten är varm (t.ex. för rengöring). Den kan endast öppnas när toaletten har svalnat och fläkten stannat.

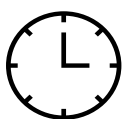
- Om det uppstår problem med ventilationen och temperaturen inuti toaletten stiger till över 105 °C avbryts förbränningen och det visas ett varningsmeddelande. Innan toaletten kan användas igen måste ventilationsproblemet åtgärdas och systemet omstartas manuellt.
- Om askbehållaren sitter fel efter tömning kommer förbränningen inte att starta och det tänds då en varningslampa och ett meddelande visas.
- Om det uppstår problem med förbränningskammarens luckmekanism så att luckan inte kan stängas kommer förbränningen inte att starta och det visas ett felmeddelande.
- Cinderella Freedom är utrustad med en smart programvara med en "vakhunds"-funktion som övervakar temperaturen under förbränningsprocessen. Om avvikelser från det normala temperaturintervallet registreras stoppas förbränningen omedelbart och det visas ett varningsmeddelande.

3.6 VIKTIG INFORMATION TILL ANVÄNDARE



OBS!

- Kom ihåg att sätta en ny påse i toaletten innan den används – en påse per besök.
- Toalettlocket ska alltid vara stängt när toaletten inte används. Förbränningen startar eller återupptas inte förrän locket har stängts.
- Förbränningscykeln kan ta upp till 180 minuter från det senaste besöket.
- Fläkten fortsätter att köra tills förbränningen är avslutad och temperaturen inuti toaletten åter är inom normalintervallet. Nedkylningsfasen kan pågå i mer än 120 minuter efter att förbränningen är klar, beroende på temperaturen på den luft som tillförs.
- Cinderella-toaletten kan användas när som helst under tiden förbränning eller nedkylning pågår. Förbränningen avbryts när toaletten används. Se till att fälla ner locket och trycka på start efter varje besök.



Kapacitet för 4 personer

Cinderella Freedom-toaletten är designad för att kunna hantera upp till fyra besök per timme. För att undvika överbelastning rekommenderas högst fyra besök per timme. Om toaletten överbelastas och det görs fler besök under en kort tidsperiod utan att en förbränningscykel slutförts kan det uppstå dålig lukt och läckage plus att toaletten kan ta skada.



Tömningsfrekvens

Systemets avfallsbehållare rymmer 5 liter. Askbehållaren ska tömmas ofta (en gång i veckan) för att toaletten ska fungera optimalt. Förbränningen sker då effektivare och katalysatorn blir renare.

Om askbehållaren inte har tagits ut (för veckovis tömning) visas efter 90 förbränningscykler ett meddelande om att behållaren bör tömmas. Om den inte tömts efter 120 besök spärras toaletten för fler besök. Vi rekommenderar att du tömmer toaletten så ofta det är möjligt för att säkerställa en bättre förbränningseffektivitet och mindre slitage på produkten.

Om askbehållaren inte töms när den är full kan toaletten skadas och garantin bli ogiltig.



Ställ i ordning toaletten för en längre tids uppehåll

Om toaletten inte ska användas under en längre period ska avfallet förbrännas och askbehållaren tömmas.



Kort period av ökad användning

Om många väntas använda toaletten under en kort tidsperiod bör du följa dessa råd:

1. Töm askbehållaren helt innan gästerna anländer.
2. Förvärm toaletten innan användning genom att öppna och stänga locket och sedan trycka på startknappen.
3. Informera gästerna om att de ska använda en toalettpåse och sedan trycka på start efter varje besök.
4. Kontrollera regelbundet att toalettlocket är stängt och att den gula förbränningslampan fortfarande lyser.
5. Du kan behöva köra en eller två extra förbränningscykler för att avfallet ska bli helt förbränt innan askbehållaren töms.

3.7 KONTROLLPANELEN

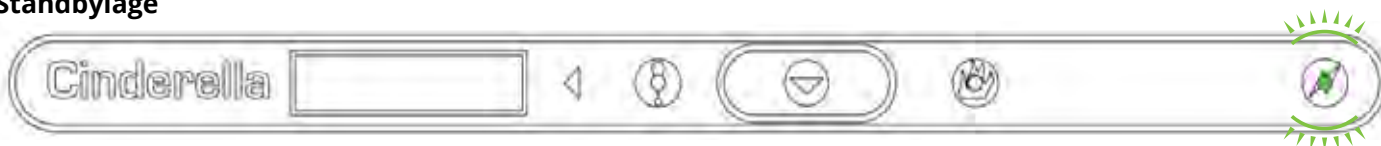
Kontrollpanelen avger både ljus och ljud samt visar meddelanden för att ge bästa möjliga användarupplevelse. Det finns ett antal ljus- och ljudkombinationer som informerar användaren om status för systemet. Det är viktigt att alla användare bekantar sig med dessa signaler innan de använder toaletten. En översikt över ljus- och ljudsignalerna finns i felsökningstabellen i avsnitt 5.1.



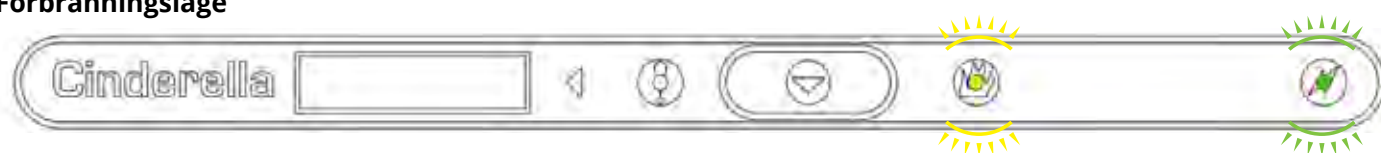
OBS!

- En grön lampa visar att toaletten förses med ström. När endast den gröna lampan lyser är toaletten i standbyläge och redo att användas.
- En gul lampa visar att förbränningsprocessen pågår. Den lyser konstant så länge toaletten är i förbränningsläge.
- När en röd lampa lyser har ett fel uppstått och toaletten är inte längre i förbrännings- eller standbyläge.

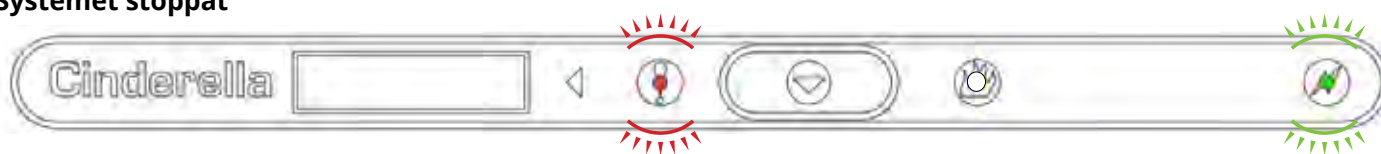
Standbyläge



Förbränningsläge



Systemet stoppat

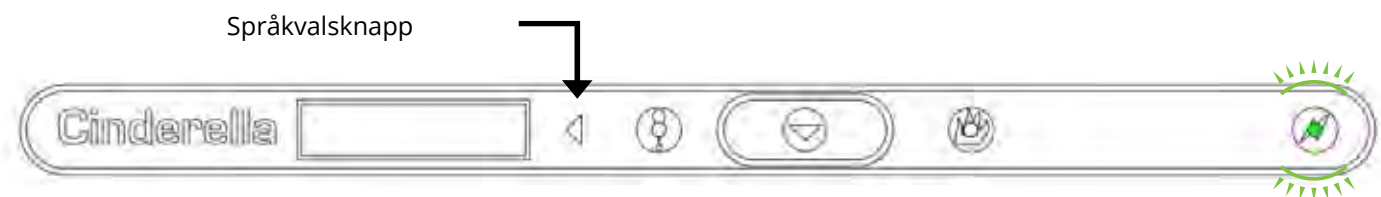


Välja språk

Håll in knappen "välj språk" i tre sekunder tills det står "språk" på första raden.

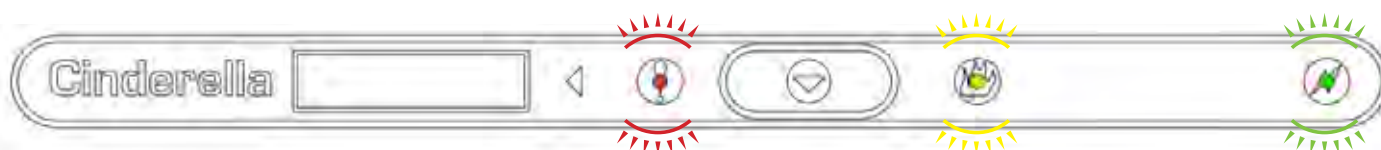
Nuvarande språk visas på andra raden. Tryck in språkvalsknappen upprepade gånger tills önskat språk visas. Det nya språket sparas automatiskt några sekunder efter att du valt språk. Därefter återgår toaletten till driftläge.

Språkvalsknapp



Tömningsindikator

Cinderella Freedom signalerar när det är dags att tömma askbehållaren. På displayen visas "TÖM ASKBEHÅLLAREN" och det hörs tre korta pip när toalettlocket fälls upp. Om den inte töms efter ett visst antal besök kommer toaletten att spärras. Då lyser de gula, röda och gröna lamporna konstant och på displayen visas "TOALLETEN LÅST BEHÅLLAREN FULL". Det hörs tre korta pip var tionde sekund tills askbehållaren har tömts.



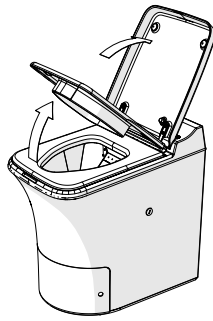
3.8 ATT ANVÄNDA CINDERELLA FREEDOM

1



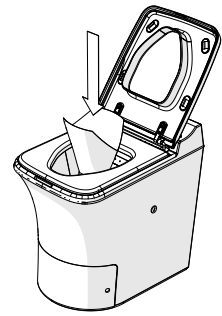
1. Kontrollera att den gröna lampan på kontrollpanelen lyser, dvs. att toaletten är elansluten och redo för användning.

2



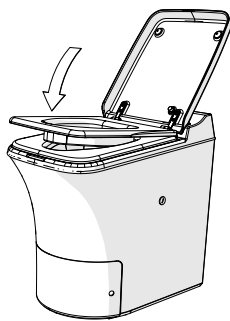
2. Fäll upp toalettlocket och sittringen. Den röda lampan börjar då blinka. Ventilationsfläkten startar.

3



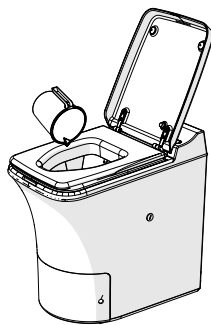
3. Sätt en toalettpåse i skålen. Sätt i en ny påse vid varje besök.

4



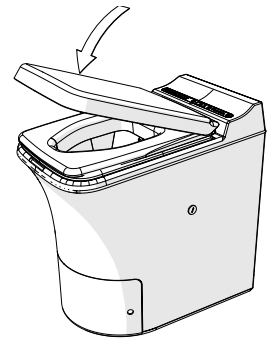
4. Fäll ner sittringen. Toaletten är nu redo att användas.

5



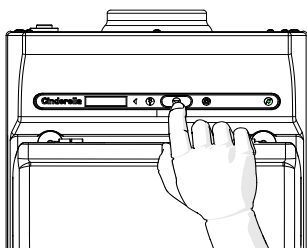
5. Använd toaletten som vanligt. Om det bara finns en liten mängd avfall i påsen kan man hälla lite vatten i påsen så att den blir tyngre.

6



6. Stäng toalettlocket.

7



7. När startknappen trycks in släpps påsen med innehåll ner i förbränningskammaren. Förbränningen startar så snart luckan stängs. Toaletten är nu redo för nästa besök.

8



8. Under förbränningen lyser en gul lampa konstant. Toaletten kan användas under tiden. Då avbryts förbränningen tillfälligt. Förbränningstiden kan variera beroende på antalet besök och mängden avfall.

3.9 HANTERA FRONTPANELEN OCH ASKBEHÅLLAREN



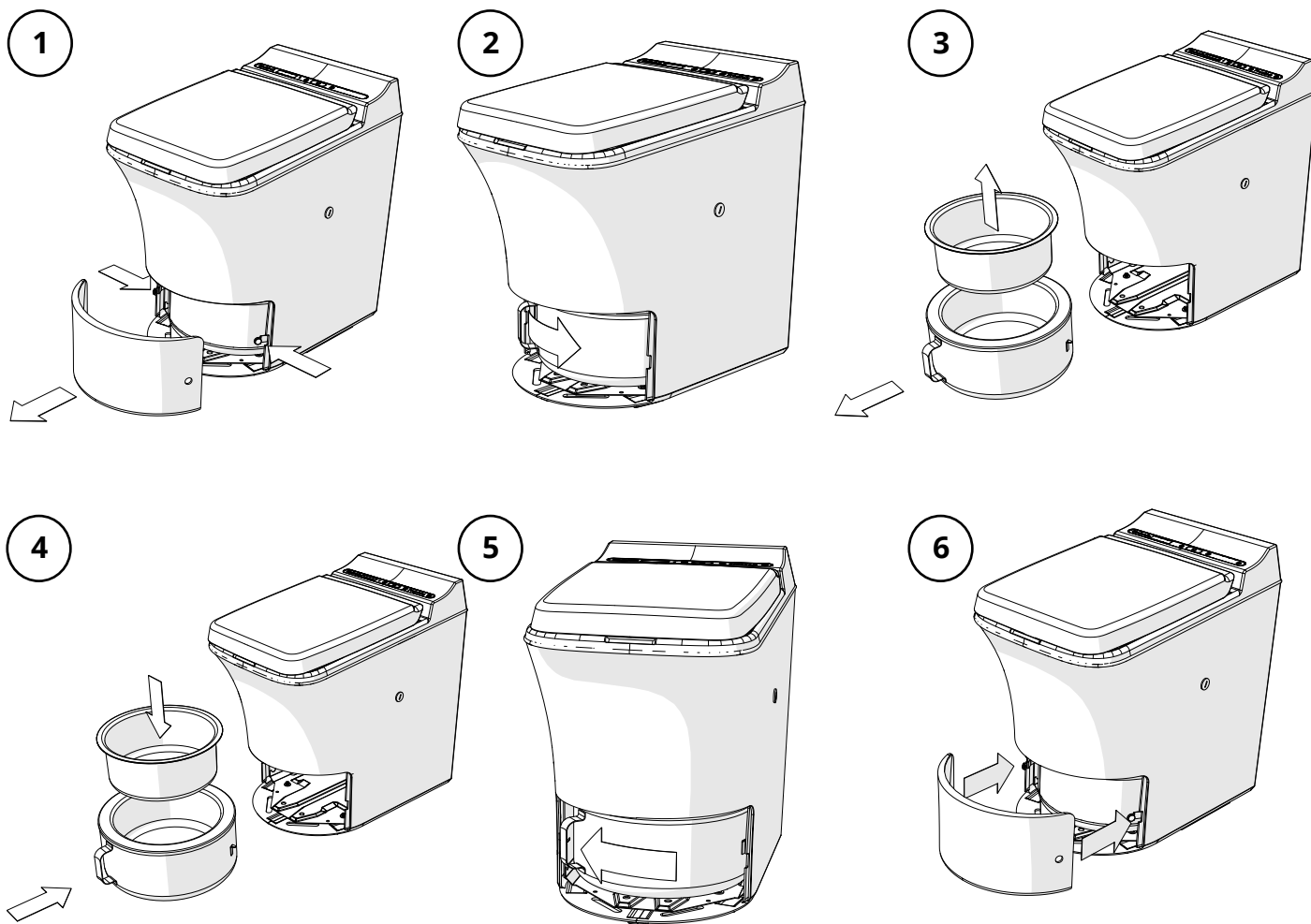
VARNING!

Askbehållaren får endast hanteras när toaletten har svalnat och försatts i standbyläge.



OBS!

I avsnittet om underhåll finns instruktioner om rengöring och tömning av askbehållaren.



4. ALLMÄNT UNDERHÅLL

Denna bruksanvisning innehåller både information om allmänt underhåll och underhåll som ska utföras av personer som har erforderlig kompetens och behörighet.

Ett välfungerande ventilationssystem är avgörande för att toaletten ska fungera som avsett. Partiklar som genereras under förbränningsprocessen kan med tiden täppa till katalysatorn och frånluftsriöret. Det är därför viktigt att regelbundet underhålla dessa delar för att de ska fungera korrekt.

För att säkerställa en optimal funktionalitet och förlänga livslängden för din Cinderella Freedom behöver du ägna lite tid åt förebyggande underhåll. Med bra rutiner för underhåll blir driftskostnaderna lägre och produkten utsätts för mindre slitage. Vi rekommenderar starkt våra kunder att regelbundet utföra följande underhåll:

1. Töm toaletten ofta. Basera inte underhållsrutinerna på maxgränser.
2. Rengör alltid askbehållaren och insatsen när de tömts (se avsnitt 4.2.1).
3. Ångtvätta alltid toalettskålen när en förpackning (500) påsar använts, gärna efter att askbehållaren tömts och rengjorts. (Se avsnitt 4.2.2).
4. Kontrollera alltid hur askan ser ut när toaletten töms. Om slutprodukten har ett avvikande utseende kan det behövas underhåll eller service (se avsnitt 4.1).

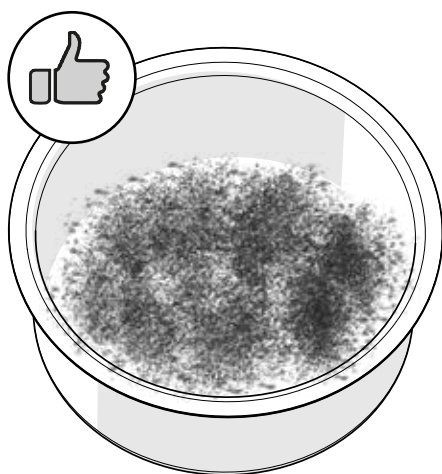


VARNING!

Se till att toaletten inte är i förbränningsläge och att den har svalnat tillräckligt innan underhåll påbörjas.

4.1 SLUTPRODUKTENS EGENSKAPER

Restavfallet, eller askan, innehåller patologiska rester, salter och mineraler och kan därför ofta uppfattas som hårt och kristalliserat. Det ska inte finnas några synliga rester av papper eller flagor av oförbränt avfall. Askan ska bestå av en blandning av vita och mörkgrå partiklar. Om det finns större mängder svart oförbränt avfall, fukt eller papper i behållaren ska en ny förbränning startas utan att ytterligare papper eller vatten tillsätts. När förbränningen avslutats ska behållaren tömmas och underhåll utföras i enlighet med instruktionerna i denna bruksanvisning.

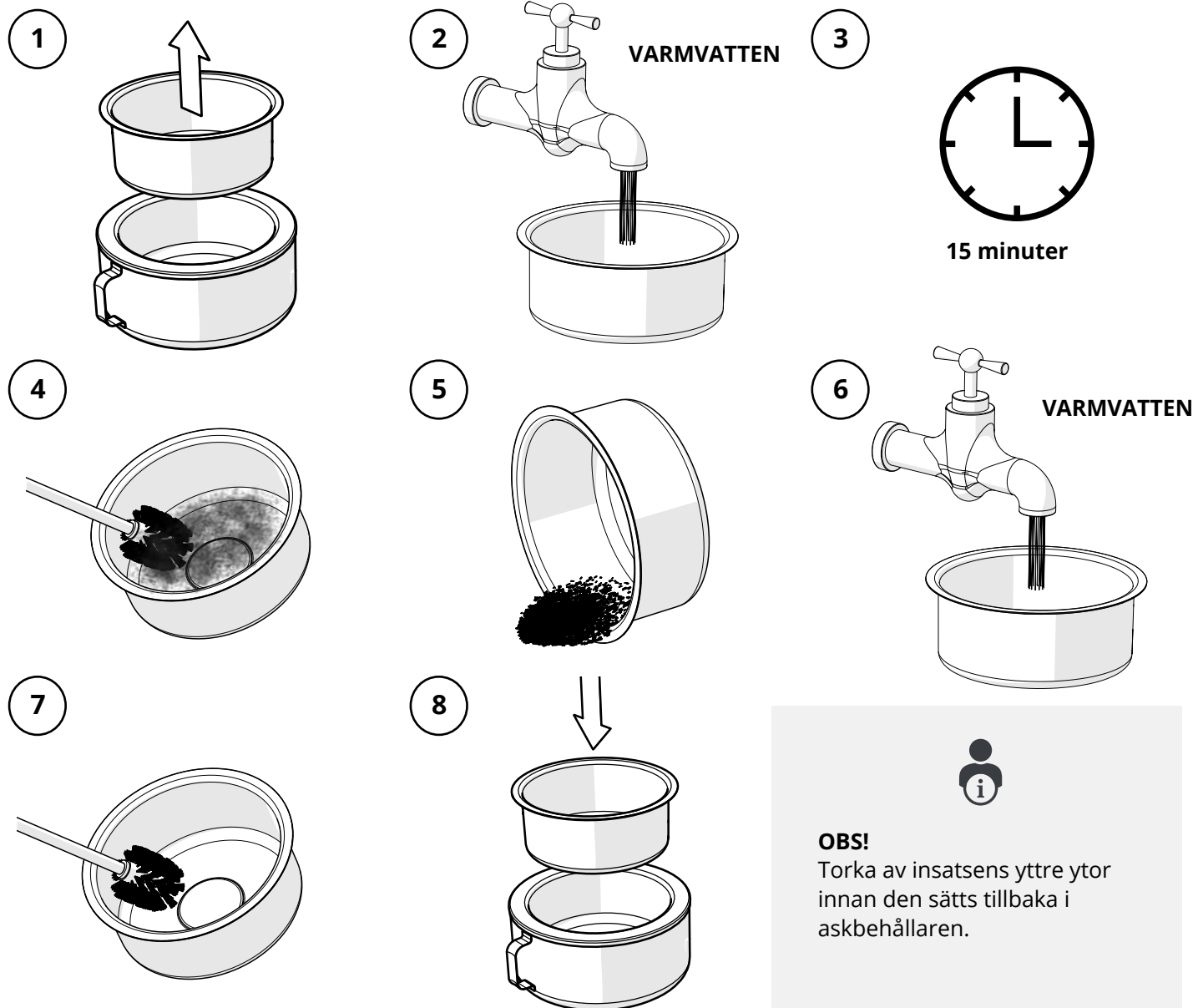


OBSERVERA!

- Askan är inte lämplig att använda som gödning eller kompostmaterial. Den ska sorteras som hushållsavfall i enlighet med gällande bestämmelser.
- Restaskan är steril och säker att hantera när den förbränts ordentligt och har en ljus färg. Om askan är svart och flagig eller förbränningscykeln varit ofullständig ska en ny förbränning startas så att askan förbränns helt. Om problemen kvarstår finns mer information i felsökningsavsnittet.

4.2 ALLMÄNT UNDERHÅLL

4.2.1 TÖMNING OCH RENGÖRING AV ASKBEHÅLLARE



OBSERVERA!

Använd inte vassa verktyg eller föremål när askbehållarens insats rengörs eftersom den då kan skadas och dess livslängd förkortas.



OBS!

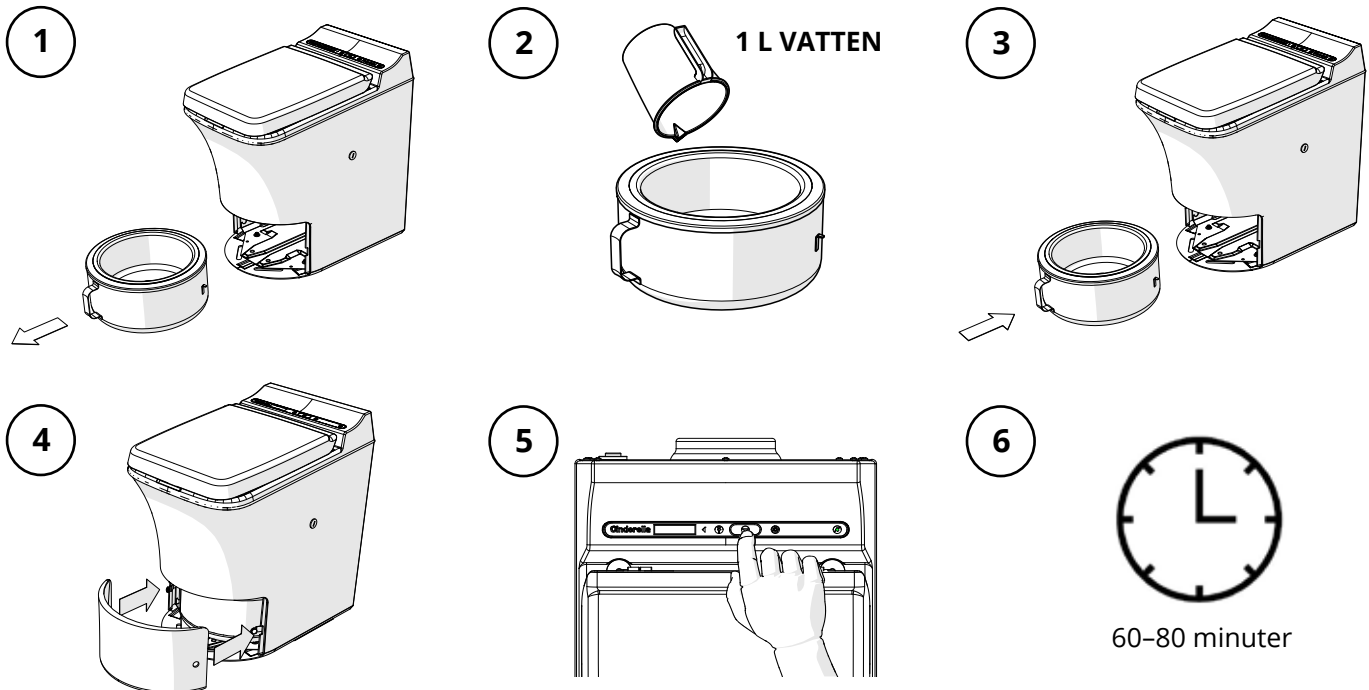
- För att toalettens funktionalitet ska bibehållas rekommenderar vi att du utför ångrengöring i enlighet med avsnitt 4.2.2 varje gång du tömmer och rengör insatsen. Då förhindrar man att det bildas tjära och oönskade avlagringar i katalysatorn och frånluftssystemet.
- Se till att toalettens elkabel är ansluten när askan ska tömmas. Om den töms utan att elen är ansluten kan systemet inte återställa räknaren.

4.2.2 ÅNGRENGÖRING AV KATALYSATORN

Rekommenderad frekvens: När askbehållaren töms eller minst efter var 500:e användning. Att utföra ångrengöring:

1. Kontrollera att toaletten är sval och att askbehållaren tömts och rengjorts (se avsnitt 4.2.1).
2. Ta bort frontpanelen och ta ur askbehållaren.
3. Häll cirka 1 liter rent vatten i insatsen.

4. Sätt försiktigt in askbehållaren så att inget vatten skvimpar ut och sätt tillbaka frontpanelen.
5. Lyft upp locket och kontrollera att fläkten börjar rotera.
6. Tryck på start för att påbörja en förbränningscykel.
7. Vattnet börjar då koka och ångan kommer att avlägsna eventuell smuts från katalysatorn. Denna rengöring tar normalt 60–80 minuter.



OBS!

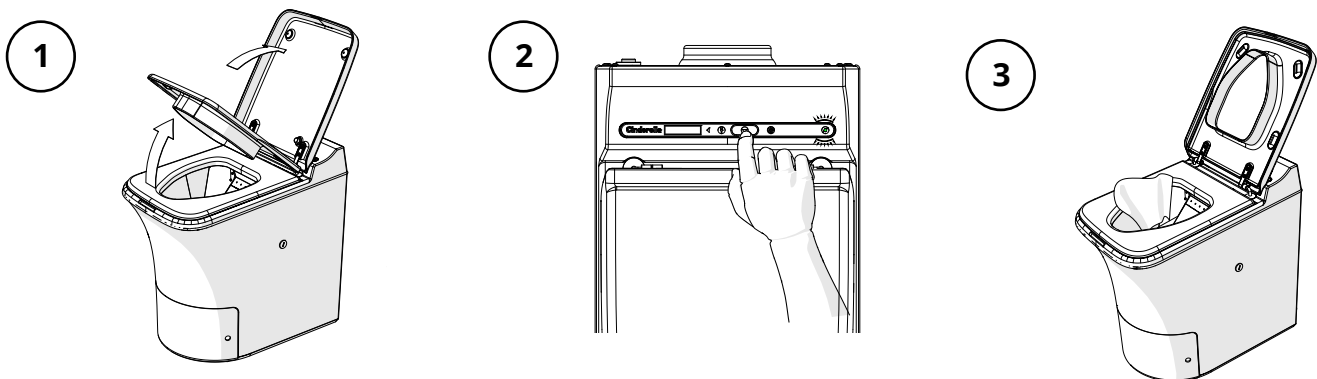
Använd inte toaletten under underhållsprocessen eftersom rengöringsfunktionen då blir mindre effektiv. Toaletten kan användas när den åter försatts i standbyläge.

4.2.3 RENGÖRING AV TOALETTSKÅLEN

Rekommenderad frekvens: vid behov samt när askbehållaren töms.

Rengöring av toalettskålen:

1. Fäll upp toalettlocket.
2. Tryck in startknappen i tre sekunder så att luckan ställs i rengöringsläge.
3. Torka med fuktat papper och vid behov ett mildt rengöringsmedel. Stäng locket och starta en förbränning.



VARNING!

Rengör inte toalettskålen med brandfarliga rengöringsmedel. Vissa metalldelar har vassa kanter. Toaletten ska ha svalnat och vara i standbyläge när toalettskålen rengörs.



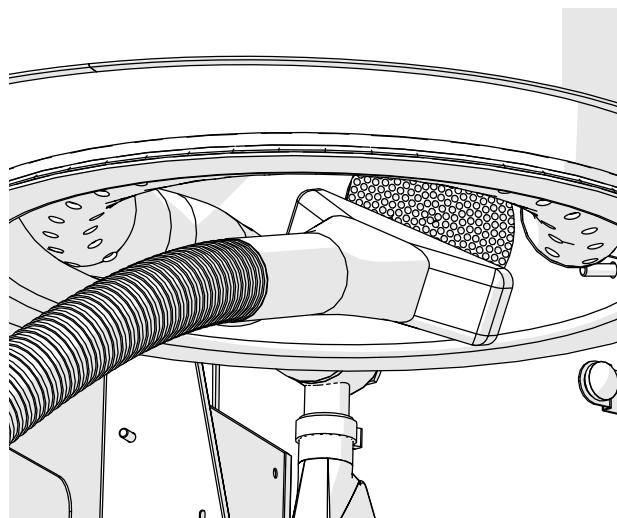
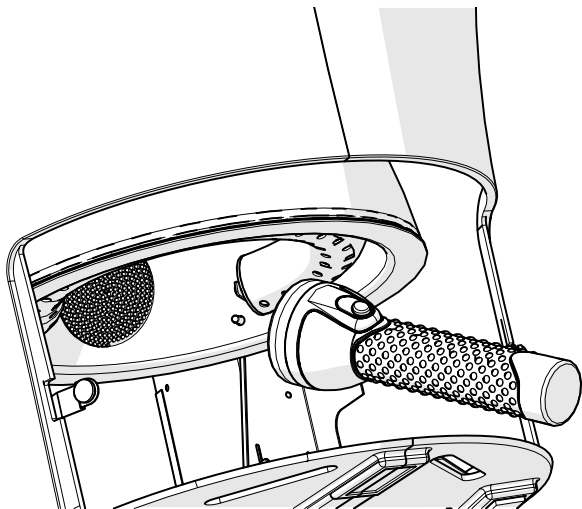
OBSERVERA!

Använd inte klorinbaserade produkter för att rengöra skålen. Klorin är extremt skadligt för katalysatorn och kan orsaka funktionsfel.

4.2.4 KONTROLLERA OCH RENGÖRA KATALYSATORN MED DAMMSUGARE

Rekommenderad frekvens: Efter 500 toalettbesök.

Katalysatorn är den primära luftkanalen mellan förbränningskammaren och skorstensröret. Om det ansamlas partiklar i katalysatorn försämras luftflödet och toalettens effektivitet. Det är därför viktigt att se till att katalysatorn alltid är fri från beläggningar. Om förbränningstiden blir längre och/eller förbränningseffektiviteten sämre kan katalysatorn vara igensatt. Det bästa och enklaste sättet att rengöra katalysatorn på är att utföra ångrengöring. Se beskrivning i avsnitt 4.2.2. Du kan också inspektera fronten på katalysatorn genom att ta bort askbehållaren och lysa upp i förbränningskammaren inifrån. Eventuella partiklar och ansamlingar kan avlägsnas med en dammsugare.



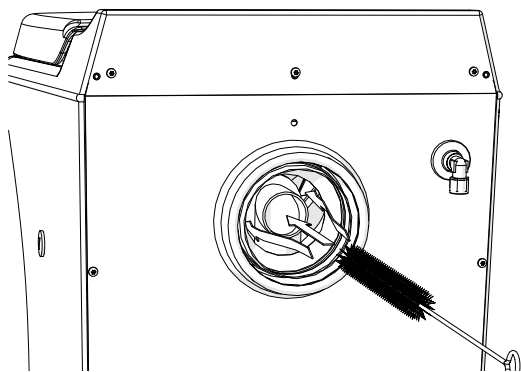
OBS!

Tydliga tecken på korrosion i eller deformation tyder på att katalysatorn behöver bytas. Kontakta din lokala serviceleverantör för att beställa service.

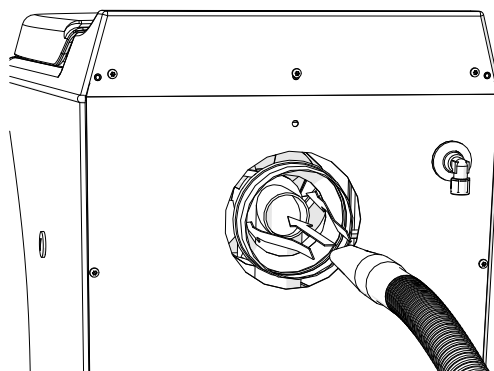
4.2.5 RENGÖRING AV RÖRANSLUTNING

Rekommenderad frekvens: minst efter vart 500:e toalettbesök.

1. Toaletten ska demonteras från skorstensröret och elkabeln ska dras ur.
2. Rengör röranslutningen med en diskborste eller liknande. Det är viktigt att både röret och alla delar ända in till fläktbladen rengörs för att luftflödet ska bli optimalt.
3. Ta ut askbehållaren och avlägsna eventuell smuts från behållaren.
4. Använd en dammsugare för att få bort återstående smuts från frånlufts-röret och katalysatorn.
5. Anslut därefter toaletten till skorstensröret och elkabeln.
6. Montera askbehållaren och frontpanelen.
7. Vi rekommenderar att man utför en ångrengöring enligt beskrivningen i avsnitt 4.2.2 efter att röranslutningen rengjorts.



RENGÖR FRÅNLUFTS- OCH VENTURIRÖRET

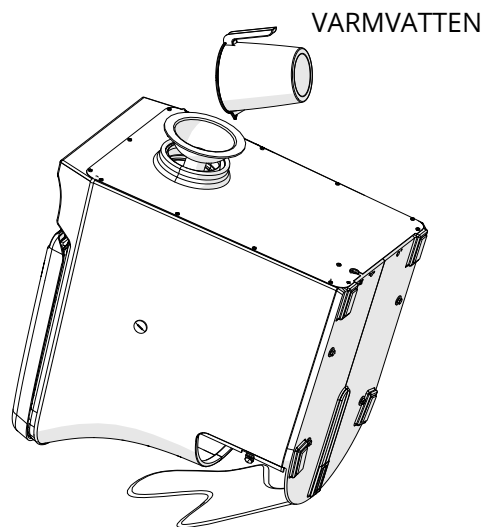


DAMMSUG FRÅNLUFTS- OCH VENTURIRÖRET

4.2.6 SKÖLJA KATALYSATORN I VARMVATTEN

Katalysatorn kan behöva spoljas av om alla partiklar eller lukter inte har avlägsnats under ångrengöringen. För detta krävs tunga lyft och ett utrymme som tål vattenspill. Utför steg 1–4 i "Rengöring av röranslutning" och följ sedan beskrivningen nedan.

1. Ställ toaletten på en plats som tål vatten, t.ex. där det finns en golvbrunn, utomhus eller i ett badkar. Använd den specialdesignade Cinderella-tratten eller en tratt som passar i frånluftsroret. Luta toaletten lätt framåt och häll 2–3 liter hett vatten genom röret och katalysatorn. Rengöringen är klar när det vatten som kommer ut är rent. Häll vid behov i mer vatten för att rengöra systemet.
2. Upprepa detta steg 4-5 gånger tills vattnet är rent och inga beläggningar eller andra hinder syns inuti katalysatorn (se avsnitt 4.2.4)
3. Anslut därefter toaletten till skorstensroret och elkabeln.
4. Montera askbehållaren och frontpanelen.
5. Utför det prestandatest som beskrivs i avsnitt 2.8.



OBS!

Innan toaletten demonteras och systemet spoljas med varmvatten ska katalysatorn kontrolleras och ångrengöring utföras enligt beskrivningen i avsnitt 4.2.2. Om katalysatorn fortfarande är igensatt eller om det luktar illa vid förbränning ska systemet rengöras enligt beskrivningen i avsnitt 4.2.6.



OBSERVERA!

Fronten på det yttre skalet är tunn och kan inte bära upp toalettens hela tyngd. Luta toaletten försiktigt och se till att det yttre skalet inte utsätts för påfrestningar. Det bästa är om två personer utför detta arbete, så att en kan hålla i toaletten medan den andra spolar ur katalysatorn.

5. FELSÖKNING OCH VANLIGA FRÅGOR



VARNING!

Service ska alltid utföras i enlighet med alla gällande nationella och lokala bestämmelser. Om du är osäker på vad som gäller där du bor bör du kontakta närmaste återförsäljare eller servicerepresentant. Strömmen ska kopplas bort när service och underhåll utförs på toaletten.

Felsökning online

Kontrollpanelen avger ljud- och ljussignaler som visar driftstatus för toaletten. Information om driftavbrott och funktionsfel ges via olika ljud- och ljussignaler. Se beskrivningen i avsnitt 5.1 i denna bruksanvisning. Vi har samlat de vanligaste felen/problemen i en felsökningsguide på webben så att du enkelt kan få svar på vad det är för fel på din toalett samt förslag på hur du själv kan lösa problemet.

Slut på gas

Om förbränningen blir otillräcklig och en gul lampa blinkar, kan det tyda på att gasoltuben är tom och måste fyllas på eller bytas ut.

Återställa toalettssystemet

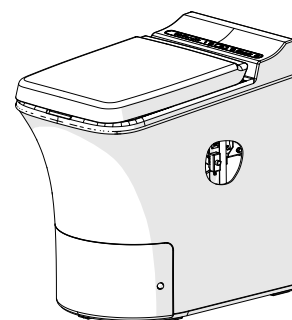
Under rengöring och felsökning kan det vara en bra idé att återställa elektroniken. Det gör du genom att trycka in startknappen. Då ska det höras ett kort pip. Håll in knappen i cirka åtta sekunder tills det hörs ett långt pip och släpp sedan knappen.

Felmeddelanden

När lamporna blinkar bör du ta reda på vad det betyder och åtgärda felet innan toaletten används igen. För att undvika skador och onödiga reparationskostnader bör du omedelbart åtgärda eventuella problem som exempelvis dålig lukt, dålig förbränning eller systemfel.

Bimetall-termostaten löser ut

Bimetall-termostaten löser ut om temperaturen inuti toaletten är för hög. Detta beror normalt på att luftflödet inte är tillräckligt eller att det finns igensättningar i till- eller frånluftskanalerna. Det är därför viktigt att kontrollera att tilluftslösningen uppfyller specifikationerna och att rökventilen är öppen och inte igensatt. Kontrollera katalysatorn visuellt och utför ångrengöring enligt beskrivningen i avsnitt 4.2.2. Återställ termostaten genom att skruva loss plasticskruven på sidan av toaletten, tryck in knappen och sätt tillbaka skruven.



Under strömavbrott

Om en förbränningsprocess pågår när det blir strömavbrott kan det börja lukta från toaletten och ryka från skorstenen. Eftersom förbränningen inte återstartar automatiskt när strömmen är tillbaka måste du starta en ny förbränningscykel manuellt. Om strömavbrottet förväntas pågå i längre än två timmar är det viktigt att tömma toaletten på eventuellt avfall eftersom den annars kan ta skada. Använd aldrig toaletten under strömavbrott.

Dålig lukt i rummet

Lukter kan uppstå av olika anledningar:

1. Om en toalett påse inte används vid varje toalettbesök eller om påsen används felaktigt.
2. Luftflödet kan vara blockerat. Kontrollera skorstensröret och skorstenschuven.
3. Kontrollera att produkten har installerats i enlighet med monteringsanvisningarna. Om det inte flödar tillräckligt med luft genom skorstensröret kan det uppstå undertryck och dålig lukt.
4. Frånlufts-röret kan vara igensatt. Se avsnitt 4.3.1.
5. Katalysatorn kan vara igensatt. Se avsnitt 4.3.1.
6. Frånlufts-röret är inte ordentligt fastsatt i toaletten. Se avsnitt 2.5.1.

Dålig lukt utomhus

Orsaken kan vara densamma som inomhus, eller:

1. Katalysatorn har inte uppnått driftstemperatur. När toaletten är kall kan det ta några minuter innan katalysatorn uppnår den temperatur då den börjar fungera som avsett.
2. Katalysatorn kan ha korroderat eller deformerats. Kontakta din serviceleverantör.

5.1 FELSÖKNINGSTABELL



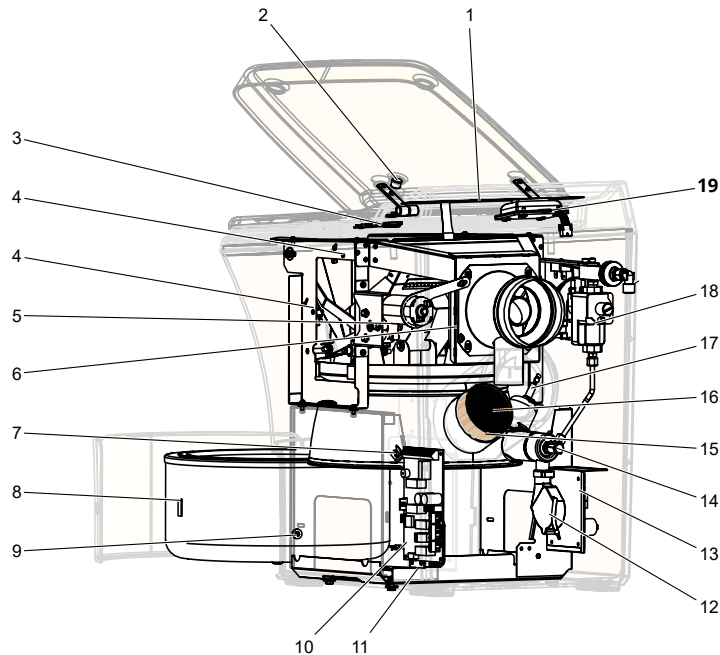
OBS!

Cinderella har utvecklat en digital felsökningsmodul som finns på vår webbplats. Modulen fungerar som en guide och ett komplement till felsökningstabellen. Du hittar den på www.cinderellaeco.com

FEL	MEDDELANDE PÅ DISPLAY	RÖD LAMPA	GUL LAMPA	GRÖN LAMPA	LJUD	ÅTGÄRD
Askbehållaren behöver tömmas	Töm askbehållaren	BLINKAR	BLINKAR	LYSER STADIGT	3 PIP	1 Ta ut och töm askbehållaren * Toaletten ska vara ansluten till 230V.
Askbehållaren behöver tömmas. Toaletten låst.	Toalett låst behållare full	LYSER STADIGT	LYSER STADIGT	LYSER STADIGT	3 PIP VAR 10:E SEKUND	1 Ta ut och töm askbehållaren * Toaletten ska vara ansluten till 230V.
Ingen ström-försörjning	Displayen släckt	AV	AV	AV		1 Kontrollera att toaletten är ansluten till 230V AC
Fel på ventilationsfläkt	Fel på fläkten	BLINKAR	AV	BLINKAR	10 PIP	1 Kontrollera att fläktbladen kan rotera fritt. 2 Nollställ toaletten (håll ner start). 3 Öppna locket så att den röda lampan blinkar, stäng locket och tryck på start. Ring support om felet kvarstår.
Felfungerande luckmekanism	Fel på luckmekanism	BLINKAR	AV	LYSER STADIGT	10 PIP	1 Nollställ toaletten om den är varm 2 Öppna locket så att den röda lampan blinkar, stäng locket och tryck på start 3 Om det inte lyckas – nollställ toaletten, sätt i en toalettpåse och håll tre koppar vatten i den, stäng locket och tryck på start 4 Om det inte hjälper – vänta tills toaletten svalnat (fläkten stannar). 5 Återstarta sedan toaletten och öppna locket medan frontluckan är öppen. Avlägsna manuellt föremål som fastnat. Ring support om problemet kvarstår
Askbehållaren i fel läge	Askbehållaren sitter i fel läge	BLINKAR	BLINKAR	LYSER STADIGT	3 PIP	1 Justera askbehållarens läge, rotera handtaget åt vänster 2 Kontrollera att spärren på behållaren är intakt 3 Kontrollera visuellt magneten på behållaren. Ring support om problemet kvarstår
Värmekretsbrott	Fel i värmesystemet	AV	BLINKAR	LYSER STADIGT	KONSTANTA PIP	1 Nollställ toaletten 2 Kontrollera bimetall-termostaten på toalettens högra sida. Skruva loss den grå pluggen och tryck in säkringen med fingret. Använd inte något vasst föremål Om säkringen löser ut hörs ett klick. Se avsnitt 5. 3 Om säkringen inte var problemet ska toaletten nollställas och därefter startas. Upprepa några gånger. Ring support om problemet kvarstår
Toalettlocksensorn reagerar	Locket är öppet	BLINKAR	AV	LYSER STADIGT	INGET	1 Kontrollera magneten på insidan av toalettlocket och stäng locket. Ring support om problemet kvarstår.
Felfungerande temperatursensor	Fel på tempsensor	AV	BLINKAR	BLINKAR	KONSTANTA PIP	1 Nollställ toaletten 2 Öppna locket så att den röda lampan blinkar, stäng locket och tryck på start 3 Ring support om problemet kvarstår
Oläsligt/inget meddelande på displayen	Oläslig/tom display					1 Dra ur elkabeln och vänta i 5 minuter 2 Sätt i kontakten och starta om toaletten 3 Ring support om problemet kvarstår

6. REPARATIONER OCH RESERVDELAR

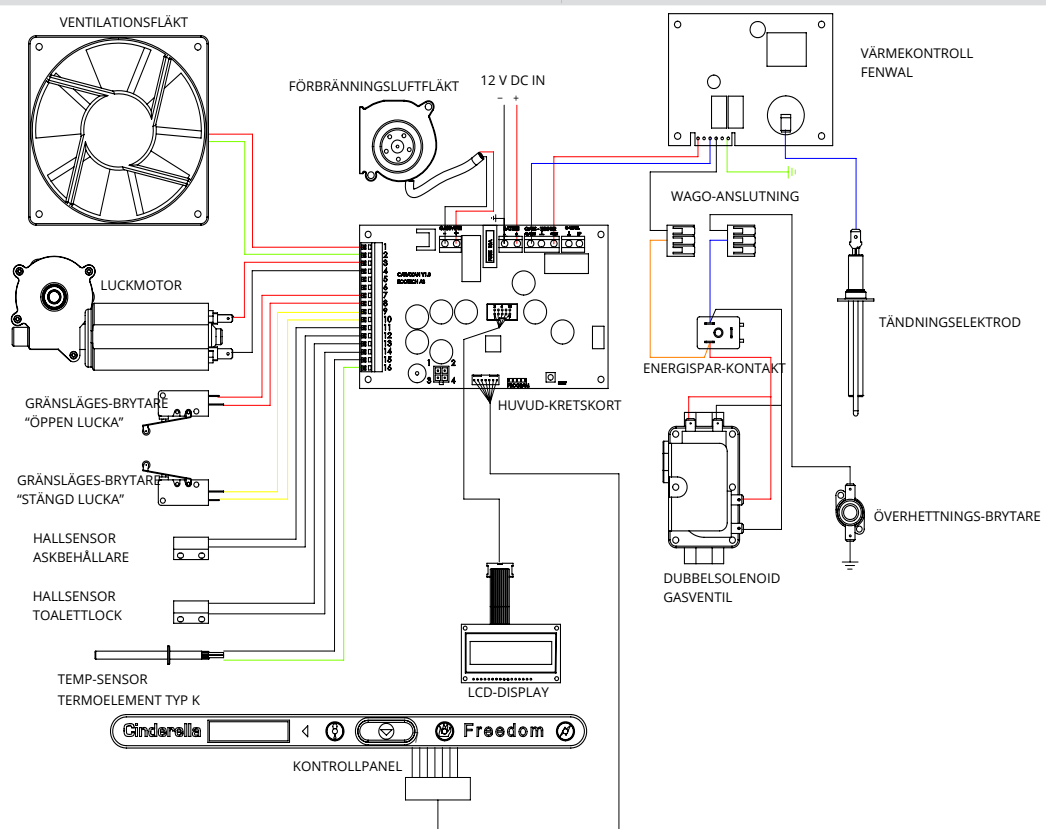
6.1 LISTA ÖVER RESERVDELAR



ID	ARTIKELNAMN	ART. NR
1	Kontrollpanel	100981
2	Magnet 14x10 mm	100433
3	Hallsensor med kabel och tejp L= 330 mm	100964
4	Mikrobrytare	101127
5	Motor Nidec 12/24V DC	101177
6	Axiell fläkt 12V DC 119x38 mm	100154
7	Termoelement	100831
8	Spärrfäste 9x26x12 mm	100017
9	Magnet 14x7 mm	100065
10	Kretskort gas	100989

ID	ARTIKELNAMN	ART. NR
11	Hallsensor	100228
12	Centrifugalfläkt 51x51x15	100542
13	Tändningsenhet Fenwal	100424
14	Gasmunstycke 20 cm WC propan SM	101414
15	Isoleringsväv 275x90x2 mm	100163
16	Katalysator 90x75 mm	100528
17	Tändningselektrod	100196
18	Gasreglage - Maxitrol CV200	101224
19	LED-display 65 x 36 x 13	100401

6.2 KOPPLINGSSCHEMA



7. Garanti

Vad omfattas av garantin?

Denna garanti omfattar material- och tillverkningsfel på Cinderellas förbränningstolett i enlighet med villkoren samt under den period och med de undantag som anges nedan.

Vad omfattas inte av garantin?

Garantin täcker inte normalt slitage eller skador som orsakats av olyckor (inklusive brand, översvämning, hårt väder eller andra naturhändelser), felaktig användning, underlåtenhet att följa tillverkarens instruktioner eller otillräckligt underhåll. Följdsador täcks inte av denna garanti. Cinderella Eco Group erbjuder ingen "på plats"-garanti. Det innebär att toaletten måste transporteras till en auktoriserad serviceverkstad för service. Om detta inte är möjligt kan serviceföretaget ta ut en transport- eller reseavgift.

Hur länge gäller garantin?

För konsumenter gäller garantin i tre (3) år från inköpsdatum. Vid professionellt bruk gäller ett (1) års garanti.

Hur hanterar Cinderella Eco Group garantiärenden?

Om du lämnar in ett garantianspråk som är giltigt enligt dessa villkor kommer Cinderella Eco Group efter eget gottfinnande att antingen reparera, ersätta eller återbetala inköpspriset på din Cinderella förbränningstolett.

Hur beställer jag service?

Kontakta din återförsäljare eller en auktoriserad serviceverkstad i det land där du bor. Vilka servicealternativ som finns tillgängliga skiljer sig mellan olika länder. Du kan behöva lämna in relevanta inköpsbevis när du åberopar garantin. Mer information om garantin finns på vår webbplats: www.cinderellaeco.com

Cinderella Eco Group AS

Sjøvikvegen 67, 6475 Midsund, Norge
www.cinderellaeco.com

SISÄLTÖ

1. YLEISTÄ	3
1.1 JOHDANTO	3
1.2 MÄÄRÄYSTEN MUKAINEN ASENNUS	3
1.3 OHJEKIRJA	3
1.4 VASTUUVARAUMA	3
1.5 HYVÄKSYNNÄT JA SERTIFIKAATIT	3
1.6 KÄYTTÖYMPÄRISTÖ	3
1.7 YLEISET TURVALLISUUSOHJEET	4
1.8 ARVOKILPI	5
1.9 CINDERELLA ONLINE	5
2. ASENNUS	6
2.1 KÄYMÄLÄN JA OSIEN PURKAMINEN PAKKAUKSESTA	6
2.2 MITAT	6
2.3 CINDERELLA-KÄYMÄLÖIDEN ASENNUSSARJAT	7
2.4 ASENNUSOHJEET	8
2.4.1 OSIEN JA MATERIAALIEN TIEDOT	8
2.5 CINDERELLA-POLTTOKÄYMÄLÄN ASENNUS	8
2.5.1 POISTOPUTKIEN ASENNUS	9
2.5.2 KORVAUSILMAPUTKEN LIITÄNTÄ	10
2.5.3 CINDERELLAN SAVUHORMIN HATUN ASENNUS	11
2.5.4 KAASUASENNUS	11
2.6 SÄHKÖTEKNISET TIEDOT JA VAATIMUKSET	12
2.7 KULJETUSTA VARTEN ASENNETUN TURVAHIHNNAN POISTAMINEN	12
2.8 ASENNUKSEN TARKISTUSLISTA	13
2.9 TOIMIVUUSTESTAUS	13
3. KÄYTTÖOHJEET	14
3.1 LAITTEEN KÄYTTÖTARKOITUS JA KÄSITTELY	14
3.2 YLEISTÄ TURVALLISUUSTIETOA	14
3.3 TURVALLISUUS KAASUN KÄYTÖN YHTEYDESSÄ	14
3.4 TURVATOIMET	14
3.5 CINDERELLA FREEDOM -KÄYMÄLÄN TURVALLISUUSOMINAISUUDET	14
3.6 TIETOA KÄYTTÄJÄLLE	15
3.7 OHJAUSPANEELI	16
3.8 CINDERELLA FREEDOM -KÄYMÄLÄN KÄYTTÖ	17
3.9 ETULUUKUN JA TUHKASÄILIÖN KÄYTTÖ	18
4. YLEISET HUOLTO-OHJEET	19
4.1 TUHKAN KOOSTUMUS	19
4.2 HUOLTO-OHJEET KÄYTTÄJÄLLE	20
4.2.1 TUHKASÄILIÖN TYHJENNYS JA PUHDISTUS	20
4.2.2 KATALYSAATTORIN HÖYRYPUHDISTUS	20
4.2.3 ISTUINALTAAN PUHDISTUS	21
4.2.4 KATALYSAATTORIN TARKISTUS JA PUHDISTUS IMURILLA	22
4.2.5 SAVUHORMIN LIITÄNNÄN PUHDISTUS	22
4.2.6 KATALYSAATTORIN HUUHTELU KUUMALLA VEDELLÄ	23
5. VIANETSINTÄ JA USEIN KYSYTTYÄ	24
5.1 VIANETSINTÄTAULUKKO	25
6. KORJAUS JA VARAOSAT	26
6.1 VARAOSALUETTELO	26
6.2 KYTKENTÄKAAVIO	26
7. TAKUU	27

1. YLEISTÄ

1.1 JOHDANTO

Cinderella-polttokäymälän toimivuuden varmistamiseksi on huolehdittava riittävästä ilmanvaihdosta tämän ohjeen mukaisesti. Vääränlainen asennus saattaa johtaa toimintahäiriöön, kulumiseen ja/tai hajunmuodostukseen, ja se mitätöi takuun. Polttokäymälän asennuksessa on noudatettava asennusmaan määräyksiä.

1.2 MÄÄRÄYSTEN MUKAINEN ASENNUS

Tämä laite on tarkoitettu virtsan ja ulosteen sekä pienten hygienia tuotteiden, kuten vessapaperin ja alkoholittomien kosteus- tai puhdistuspyyhkeiden polttamiseen.

Laitetta ei saa asentaa liikuteltaviin tai siirrettäviin rakennelmiin, kuten asuntovaunuihin tai matkailuautoihin.

1.3 OHJEKIRJA

Lue tämä ohjekirja huolellisesti ennen asennusta ja ensimmäistä käyttökertaa. Säilytä ohjeet myöhempää tarvetta varten. Jos luovutat polttokäymälän jollekulle muulle, toimita tämä ohjekirja sen mukana.

Tässä ohjekirjassa opastetaan tuotteen oikeanlainen asennus, käyttö ja huolto. Sekä asentajan että käyttäjän on tärkeää lukea tämä ohjekirja. Ohjekirja sisältää myös tietoa ammattilaisella teetettävistä ylläpito-, huolto- ja korjaustoimista.

Asiakirjan digitaalinen versio sekä lisätietoja on saatavilla osoitteessa www.cinderellaeco.com.

1.4 VASTUUVARAUMA

Valmistaja ei vastaa vahingoista seuraavissa tilanteissa:

- Väärin tehty asennus
- Väärään jännitteeseen kytkemisestä aiheutuva tuotteen vahingoittuminen
- Tuotteeseen ilman valmistajan nimenomaista lupaa tehdyt muutokset
- Muu kuin tämän ohjekirjan mukainen käyttö
- Käyttö- ja huolto-ohjeiden laiminlyönti
- Määräysten vastainen käyttö
- Muiden kuin alkuperäisten suojaussien ja varaosien käyttö

1.5 HYVÄKSYNNÄT JA SERTIFIKAATIT

Cinderella Freedom -polttokäymälä on DBI:n ja SLG:n perusteellisesti testaama eurooppalaisen kaasuturvallisuusstandardin ja sähkömagneettisen yhteensopivuusstandardin mukaisesti.

1.6 KÄYTTÖYMPÄRISTÖ

- Käyttölämpötila: -20...+40 °C
- Käyttökorkeus: Testattu 1 500 metrin korkeudessa



HUOMIO!

Cinderella-polttokäymälä tulee asentaa siten, että vähimmäisetäisyys palaviin rakenteisiin on: sivuilla 50 mm, takana 50 mm.

1.7 YLEISET TURVALLISUUSOHJEET



VAARA!

Turvallisuusohjeet: Ohjeiden huomiotta jättäminen voi aiheuttaa vakavan vamman tai hengenvaaran.



VAROITUS!

Turvallisuusohjeet: Ohjeiden huomiotta jättäminen voi aiheuttaa vakavan vamman.



HUOMIO!

Ohjeiden huomiotta jättäminen voi aiheuttaa aineellisia vahinkoja tai heikentää tuotteen toimivuutta.



HUOMAA!

Lisätietoa tuotteen käyttämisestä.



VAARA!

- Älä suihkuta aerosoleja käynnissä olevan laitteen läheisyydessä.
- Älä käytä tai säilytä herkästi syttyviä materiaaleja laitteessa tai sen läheisyydessä.
- Älä sijoita esineitä laitteen päälle tai nojaamaan laitteeseen.
- Älä tee laitteeseen muutoksia.



- Jos polttokäymälässä on näkyviä vaurioita, älä käytä sitä.
- Jos polttokäymälän tasavirtajohto on vioittunut, valmistajan, asiakaspalvelun tai muun koulutetun ammattilaisen on vaihdettava se uuteen vaaratilanteiden ehkäisemiseksi.
- Älä koskaan käytä avoliekkiä käymälän kaasuliitäntöjen tarkistamiseksi vuotojen varalta.
- Polttokäymälän korjaustyöt saa tehdä vain koulutettu ammattilainen. Väärin tehdyistä korjaustöistä voi aiheutua vakavia vaaratilanteita.
- Käytä ainoastaan nestekaasua.
- Polttokäymälää saa käyttää vain sen takalevyyn kiinnitettyyn arvokilpeen merkityllä paineella.



VAROITUS!





- Puristumisvaara! Älä laita kättä saranalle tai istuinkansien alle kansien ollessa auki, sillä istuinkannet eivät sulkeudu pehmeästi.
- Älä tyhjennä tuhkasäiliötä sisällön ollessa kuumaa.
- Varmista ennen käynnistämistä, että virtajohto ja pistoke ovat kuivat.



- Käymälää kannettaessa sitä tulee pitää kiinni rungosta. Älä kanna kaasuliitännästä, virtajohtoa, etuluukusta, istuinkansista tai poistoaukosta.
- Tarkista, että arvokilpeen merkitty jännite vastaa virtalähteen jännitettä.
- Käytä ainoastaan poikki-pinta-alaltaan soveltuvaa virtajohtoa.
- Ylikuumenemisvaara! Huolehdi aina riittävästä ilmanvaihdosta, jotta polton aikana syntyvät lämpö ja palokaasut pääsevät haihtumaan savuhormin kautta. Huolehdi järjestelmän hyvästä ilmankierrosta. Huolehdi aina käymälän riittävästä ilmanvaihdosta.
- Varmista, että käymälä on riittävän etäisyyden päässä seinistä ja muista kohteista, jotta ilma pääsee kiertämään.

1.8 ARVOKILPI

Arvokilpi sijaitsee polttokäymälän takalevyssä. Se sisältää laitteen mallin, tyyppin ja sarjanumeron sekä tekniset tiedot ja tukitiedot. Näitä tietoja tarvitaan, kun otat yhteyttä asiakaspalveluun tai tilaat varaosia.

<p>MANUFACTURER</p>  <p>Cinderella Incineration Toilets</p> <p>CINDERELLA ECO GROUP AS Sjøvikvegen 67, 6475 Midsund, NORWAY For sales and support call +4777711500 or visit our web www.cinderellaeco.com</p> <p>CINDERELLA FREEDOM MODEL: PM02CS03EU SERIAL:</p>	<p>Appliance Specifications</p> <p>VOLTAGE..... 12V DC CURRENT 4 A GAS:..... PROPANE FAN BLOWER:..... 12V DC GAS SUPPLY PRESSURE: 30 mBar CAPACITY..... 3-4 PEOPLE PR. HOUR CONNECTED LOAD 425 G/H EFFECT..... 2.86 kW EXHAUST SYSTEM CONSTRUCTION -B22 DEVICE CATEGORY 13 B/P YEAR OF MANUFACTURING..... 2021 DESIGNED FOR..... HOME/CABINS, SANITATION WELFARE UNIT</p>	   <p>For information on how to claim warranty, support and recycle our product visit www.cinderellaeco.com</p>
--	--	---

1.9 CINDERELLA ONLINE



TUOTTEEN REKISTERÖINTI

Rekisteröimällä polttokäymäläsi My Cinderella -palvelussa saat tietoa tuotteista ja tarjoamastamme tuotetuesta sekä käymälämalliisi liittyviä tarjouksia. Jos tuote varastetaan, rekisteröityjen tuotteiden tiedot ovat saatavilla tietokannassamme.

Vianetsintä verkossa

Kattavat ohjeet polttokäymälän käyttöön, hyödyllisiä neuvoja sekä tietoa korjauksista, jotka käyttäjä voi itse suorittaa. Verkkopohjaisen vianetsinnän avulla voit ratkaista tavallisimmat vikatilanteet ilman tukipalveluun soittamista.

Tietojen saatavuus

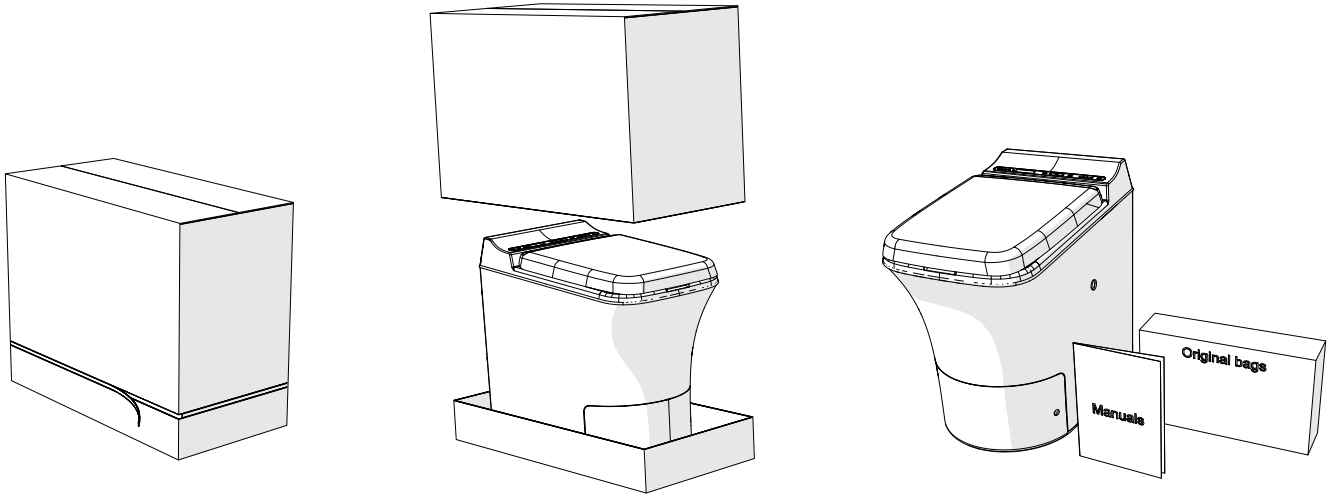
Tuotteesi dokumentaatio on ladattavissa verkosta dokumentaatiokeskuksesta, josta löydät tuotteen ohjekirjan, huolto-ohjeet ja elektroniikkaromun purkuohjeet.

Huolto ja varaosat

Valitsemalla maan näet huoltoa ja varaosia tarjoavien paikallisten jälleenmyyjien tiedot.

2. ASENNUS

2.1 CINDERELLA-POLTTOKÄYMÄLÄN PURKAMINEN PAKKAUKSESTA



HUOMAUTUS!

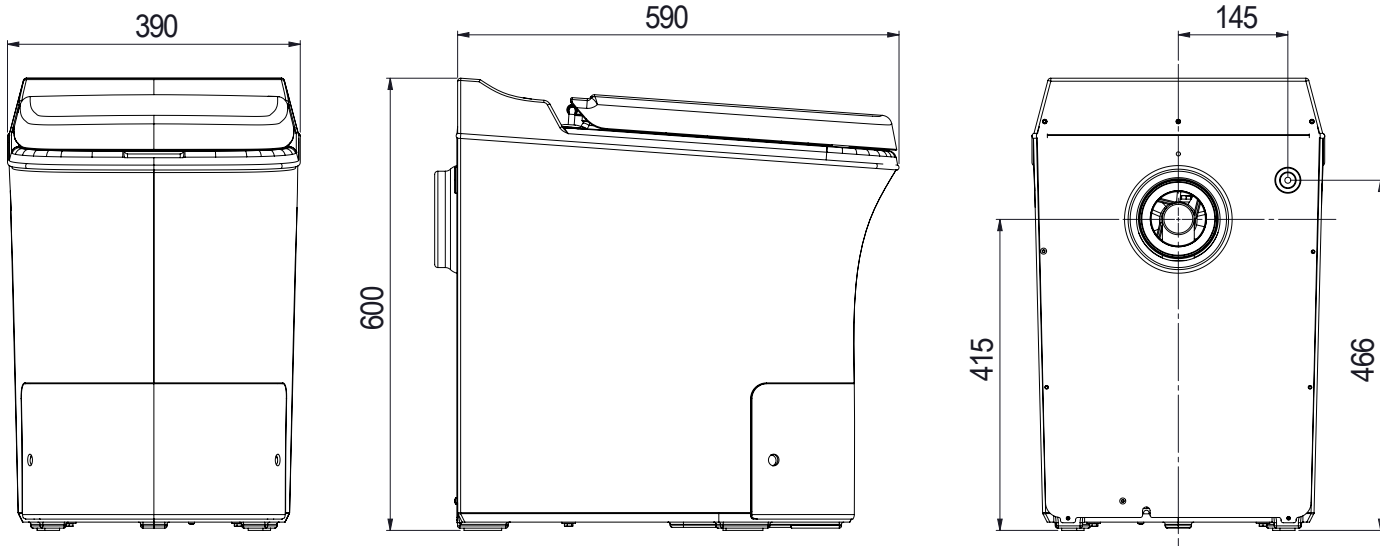
Avaa Cinderella-polttokäymälän pakkaus sen alaosassa olevasta avausnauhasta. Avaa nauha koko matkalta ja poista laatikon yläosa.

TOIMITUSSISÄLTÖ	MÄÄRÄ
Cinderella PM02CS03	1
Suojapussit	100
Ohjekirja	1

2.2 MITAT

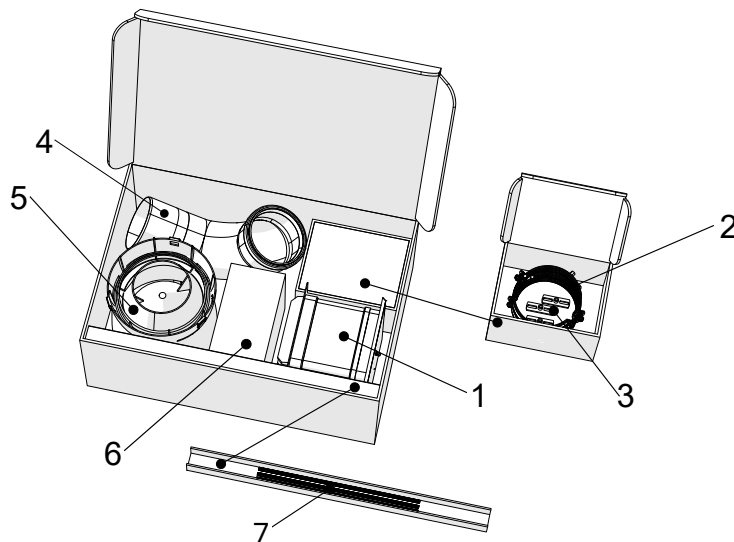
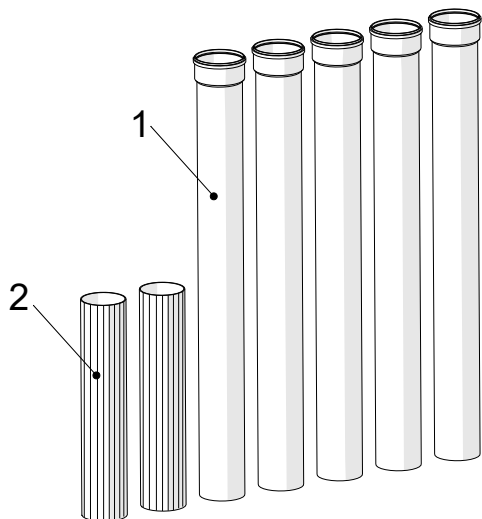
Korkeus	600 mm
Istuinkorkeus	540 mm
Leveys	390 mm

Syvyys	590 mm
Savuhormin keskikohdan korkeus	415 mm



2.3 CINDERELLA-KÄYMÄLÖIDEN ASENUSSARJAT

Cinderella-asennussarja: Suosittelemme käyttämään polttokäymälän asennuksessa Cinderella-asennussarjaa. Tämä asennussarja sisältää kaikki tarvittavat osat käymälän asentamiseen, polton optimointiin ja käymälän ihanteellisen toiminnan varmistamiseen. Asennussarja koostuu kahdesta pakkauksesta. Pakkaus 1 sisältää optimoidun savuhormin hatun ja mutkaputken, jotka parantavat virtausta ja polton tehokkuutta, sekä erikoissuunnitellun ilmaventtiilin (201 cm²), joka takaa optimaalisen toiminnan. Lisäksi sarja sisältää kiristimet, jotka tukevat poistoputkien asennusta. Pakkaus 2 sisältää laadukkaat 7 x 110 mm:n UV-stabiloidut muoviputket poistoilmanvaihdon asentamiseen.



CINDERELLA-ASENUSSARJA		MÄÄRÄ
1	Savuhormiputki 1066 mm uros-naaras	5
2	Savuhormiputki 500 mm uros-uros	2

CINDERELLA-ASENUSSARJA		MÄÄRÄ
1	Ilmaventtiili 160 mm (201 cm ²)	1
2	Tukikiristin	3
3	Seinäkiinnike	3
4	Mutkaputki 87	1
5	Savuhormin hattu	1
6	Paineensäädinsarja*	1
7	Kierretanko 30 mm	3

*Vain Norjassa ja Ruotsissa



HUOMAUTUS!

- Tässä ohjekirjassa kuvataan polttokäymälän asennus Cinderella-asennussarjan avulla. Jos haluat käyttää Cinderella-polttokäymälän asennuksessa muita kuin alkuperäisiä putkia ja osia, niiden tulee täyttää vaatimukset, jotka eritellään kohdassa 2.4.1 Osien ja materiaalien tiedot.
- Cinderella-polttokäymälän asianmukaisen toiminnan varmistamiseksi on huolehdittava riittävästä ilmanvaihdosta tämän ohjekirjan ohjeiden mukaisesti. Valmistajan ohjeista poikkeava asennus ja muiden kuin vaatimukset täyttävien osien käyttäminen laitteen asentamisessa aiheuttaa laitteen toimintahäiriöitä, kulumista ja hajunmuodostusta sekä mitätöi takuun.

2.4 ASENNUKSEN TEKNISET TIEDOT

2.4.1 OSIEN JA MATERIAALIEN TIEDOT

OSA	TEKNISET TIEDOT
Ilmanvaihtoputket	Cinderella Freedom -polttokäymälän asennuksessa tulee käyttää 110 mm:n putkia, joissa on sileä sisäpinta ja joiden sisähalkaisija on vähintään 102 mm. Putken materiaalin tulee kestää yli 100 °C:n lämpötilaa ja olla mieluiten PP- tai CPVC-materiaalia. Suosittelemme käyttämään Cinderellan alkuperäisiä PP-putkia.
Mutkaputki (poistoilma)	Cinderella Freedom -polttokäymälän asennuksessa tulee käyttää sileää mutkaputkea, joka rajoittaa ilmavirtaa mahdollisimman vähän. Suosittelemme käyttämään Cinderellan alkuperäistä mutkaputkea 87° .
Savuhormin hattu	Cinderella Freedom -polttokäymälän asennuksessa on käytettävä savuhormin hattua, joka estää sadeveden pääsyn käymälään ja joka rajoittaa ilmavirtaa mahdollisimman vähän. Cinderella-polttokäymälän ilmanvaihdossa ei saa käyttää tuulituulettimia tai vastaavia. Suosittelemme käyttämään Cinderellan alkuperäistä savuhormin hattua.



HUOMAUTUS!

- Savuhormin sisäpinnan tulee olla sileä. Se ei saa olla kohokuvioitu tai uritettu.
- Savuhormissa ei saa käyttää verkkoa, sillä se voi rajoittaa ilmanvaihtoa.
- Mutkaputki tulee asentaa siten, että siihen pääsee käsiksi ja tyhjennysputki voidaan huuhdella ja poistoputki puhdistaa.
- Cinderella Freedom soveltuu kylpyhuoneissa ja märkätiloissa käytettäväksi (IP-luokka 34), mutta käymälän ulkopintoja ei saa altistaa vesiroiskeille.
- Käymälä tulee sijoittaa tukevalle ja tasaiselle alustalle. Cinderella-polttokäymälän saa asentaa lämmitetylle lattialle.

2.5 CINDERELLA-POLTTOKÄYMÄLÄN ASENNUS

Cinderella-polttokäymälän toimivuuden varmistamiseksi on huolehdittava riittävästä ilmanvaihdosta tämän ohjeen mukaisesti. Vääränlainen asennus saattaa johtaa toimintahäiriöön, kulumiseen tai hajunmuodostukseen, ja se mitätöi takuun. Lue koko asennusohje huolellisesti kohta kohdalta ennen asentamisen aloittamista. Asennuksen saa tehdä vain koulutettu ammattilainen, ja asennus tulee tehdä paikallisten määräysten mukaisesti.



HUOMIO!

- Laite tulee asentaa käyttömaan määräysten mukaisesti. Suosittelemme kääntymään jälleenmyyjän puoleen asennuksen suunnittelussa ja asentamisessa.
- Mutkaputken lisäksi asennuksessa ei saa käyttää muita 90 asteen mutkaputkia.
- Mahdolliset katon läpiviennit on tehtävä rakentamismääräysten mukaisesti.
- Cinderella-polttokäymälän asennuksessa ei saa käyttää taipuisia putkia.
- Älä liitä poistoilmakanavaan muita laitteita.
- Mutkaputki tulee asentaa siten, että siihen pääsee käsiksi ja tyhjennysputki voidaan huuhdella ja poistoputki puhdistaa säännöllisesti.

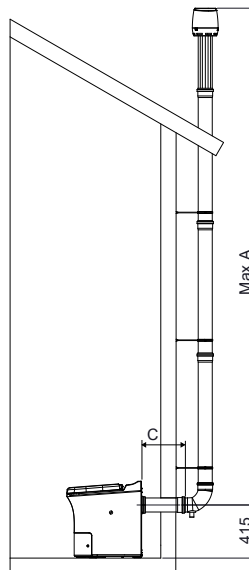
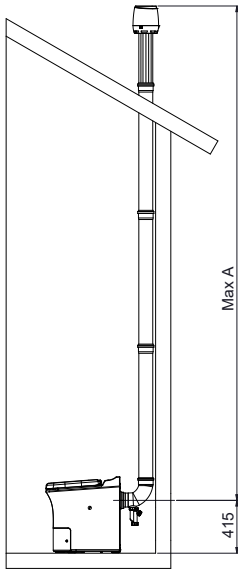


VAROITUS!

Tarkista aina ennen läpivientien tekemistä, että kohdassa ei ole sähköjohtoja tai vesiputkia.

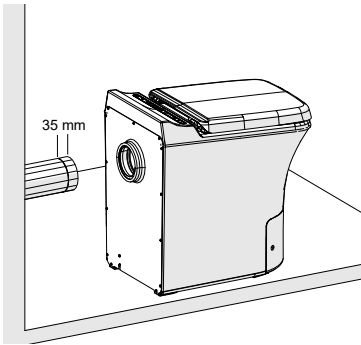
2.5.1 POISTOPUTKIEN ASENNUS

SAVUHORMIN HALKAISIJA	PUTKEN SUUNTA	KUVASSA	MUTKAT	PUTKEN ENIMMÄISPITUUS
110 mm	Savuhormi (vaaka)	C	(ei sallittu)	1,0 m
110 mm	Savuhormi (pysty)	A	-	5,0 m



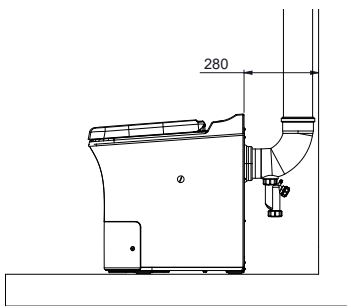
HUOMAUTUS!

Savuhormin liitännän keskikohdan tulee olla 415 mm lattian pinnan yläpuolella.



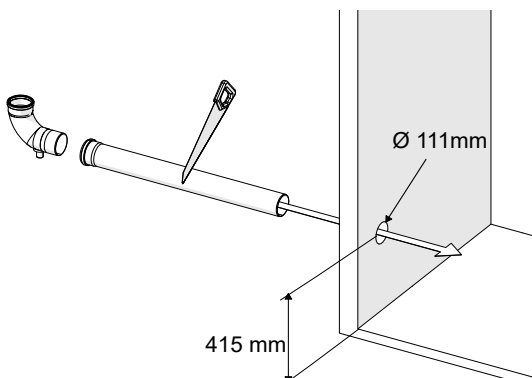
HUOMAUTUS!

Putken pituutta määritettäessä on otettava huomioon, että putki menee 35 mm laitteen liitoskohdan sisään.



HUOMAUTUS!

Pystyputken asennuksen yhteydessä on otettava huomioon, että vähimmäisetäisyyden seinästä käymälään on oltava 280 mm.



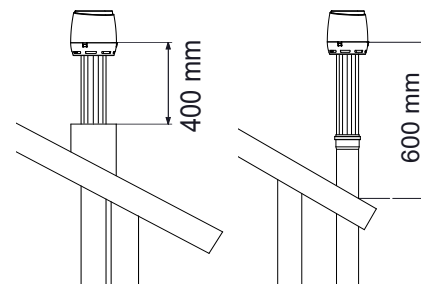
HUOMAUTUS!

Cinderella-asennussarja sisältää viisi 1066 mm:n putkea poistoilmanvaihdon asentamiseen. Putkien mukana toimitetaan asennusta helpottavat istukat ja tiivisteet. Jos putki asennetaan ulkoseinään, se on asennettava ulkoa sisälle päin.



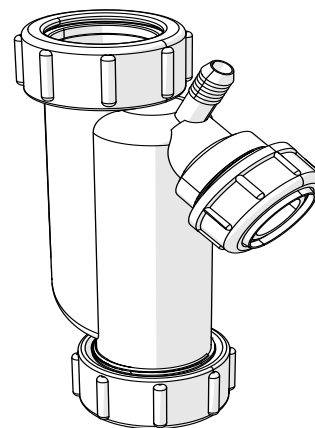
HUOMAUTUS!

- Katon päällä putken on aina oltava pystysuorassa ja putken pään on oltava vähintään 600 mm katon pinnan yläpuolella. Jos putki on koteloitava (esimerkiksi metallikotelolla), putken pään on oltava vähintään 400 mm kotelon yläpuolella.
- Jos asennus tehdään alueella, jolla lumikertymä on todennäköisesti suuri, putken pää voi tulla korkeammallekin, ja putki on kiinnitettävä tukevasti. Älä kuitenkaan ylitä putken sallittua enimmäispituutta.



HUOMAUTUS!

Cinderellan valikoimassa on asennussarjan mukana toimitettavaan mutkaputkeen sopiva kondenssiveden keräin, jonka voi ostaa Cinderellan jälleenmyyjältä. Jos asennus tehdään sisältä päin, kondenssiveden keräin on liitettävä mutkaputkeen, jotta kondenssi- ja sadevettä ei kerry lattialle. Jos kondenssivettä ei kerätä ja säiliötä tyhjennetä säännöllisesti, lattia voi vaurioitua.



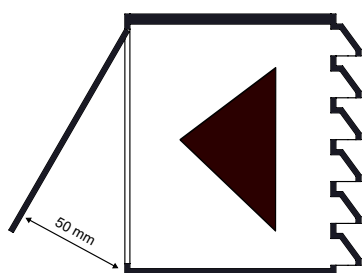
2.5.2 KORVAUSILMAPUTKEN LIITÄNTÄ

Jotta polttoa varten olisi riittävä ilmanvaihto ja tarpeeksi happea, käymälään on asennettava tuloilmaventtiili valmistajan ohjeiden mukaisesti. Cinderella-asennussarja sisältää savuhormin ja erikoissuunnitellun ilmaventtiilin, jotka takaavat ihanteellisen ilmanvaihdon ja tehostavat laitteen toimintaa. Ilmansyöttöventtiili on suositeltavaa asentaa mahdollisimman lähelle Cinderella-käymälää riittävän ilmanvaihdon varmistamiseksi käymälään sekä ympäristövaikutusten pienentämiseksi käymälätilassa. On tärkeää, ettei käymälän käytön aikana käytetä muita ilmankiertoa vaativia asennuksia, kuten poistoilmapuhallinta tai takkaa. Cinderella Freedom -käymälä imee ilmaa pääasiassa käymälän alapuolelta. Siksi ilmanotto on mahdollista asentaa käymälän alle. Näin voit eristää mahdollisimman paljon ilmaa käymälän sisällä ja minimoida ympäristövaikutukset käymälätilassa.



HUOMAUTUS!

- Ilmanottoventtiilin vähimmäismittojen on oltava 160 mm (halkaisija) / 201 cm².
- Venttiilin on oltava aina auki käymälää käytettäessä. Muista puhdistaa venttiili säännöllisesti.
- Varmista, ettei käymälän ilmansyötön ja muiden asennusten, kuten takan tai poistoilmapuhallimen, välillä ole ristiriitoja.
- Älä käytä käymälän käytön aikana erillistä tuuletinta tai vastaavaa ilman poistamiseen tilasta, johon Cinderella Freedom -käymälä on asennettu.
- Jos käymälän alla on avoin ilmanvaihtoaukko, aukon päällä on suositeltavaa käyttää verkkoa hyönteisten ja tuhoeläinten pääsyn estämiseksi käymälään. Varmista, ettei verkko ole liian ohut. Verkon silmäkoon tulee olla vähintään 5 mm, sillä sitä tiheimmät verkot estävät ilman virtauksen.



HUOMAUTUS!

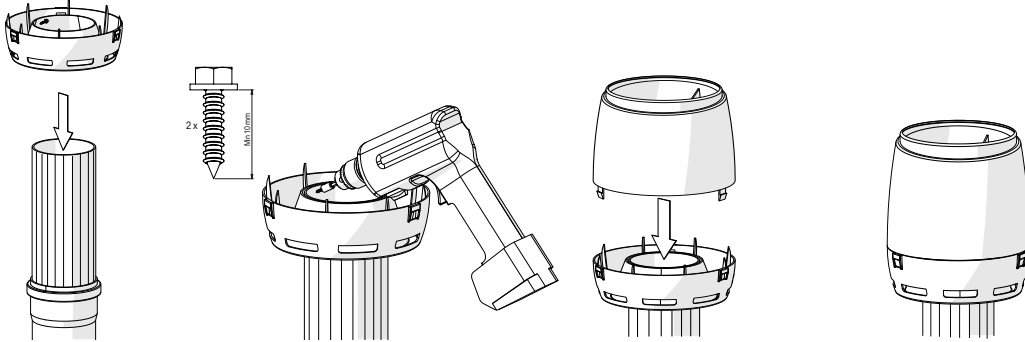
Jos asennettavassa ilmaventtiilissä on säädettävä aukko, varmista, että se on aina auki vähintään 75 mm (kaksi napsahdusta) käymälää käytettäessä.

2.5.3 CINDERELLAN SAVUHORMIN HATUN ASENNUS



HUOMAUTUS!

Cinderella-asennussarja sisältää savuhormin hatun, joka takaa ihanteellisen ilmanvaihdon ja tehostaa laitteen toimintaa. Hattu koostuu pohjaosasta ja hatusta. Pohjaosa voidaan kiinnittää putkiin ruostumattomilla teräsruuveilla tai liimalla, mikä helpottaa asentamista ja tekee ilmanvaihtoputkista huoltovapaita. Käytä Cinderella-asennussarjan 500 mm:n putkea savuhormin viimeisenä osana, sillä se sisältää hatun liitännän.



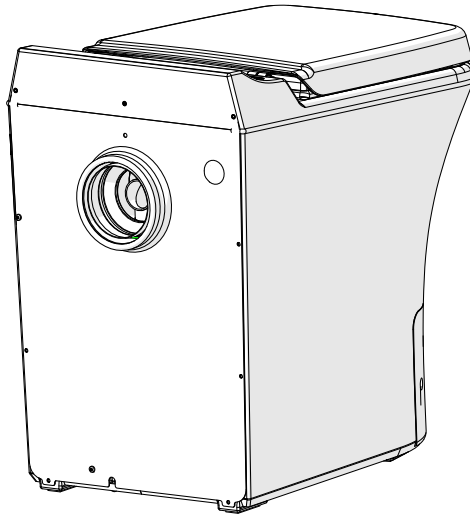
2.5.4 KAASUASENNUS

Varmista kaasua käymälään liittäessäsi, että käytät alueellesi soveltuvaa kaasunsäädintä. Laitteen liitäntätyyppi on ¼" NTP.



VAROITUS!

- Polttokäymälää saa käyttää vain sen takalevyn kiinnitettyyn arvokilpeen merkityllä paineella.
- Polttokäymälää saa käyttää vain sen takalevyn kiinnitettyyn arvokilpeen merkityllä kaasulla.
- Käymälä soveltuu asennettavaksi vain sisätiloihin.



TEKNISET TIEDOT	ARVO	HUOMAUTUKSET
Polttoaineen kulutus	160-190 g	Polttoa kohti
Tulokaasun paine	30 mbar	
Kaasun tyyppi	LPG	
Kaasuliitäntä	G ¼" LH	
Aukon koko	1 mm	

2.6 SÄHKÖTEKNISEET TIEDOT JA VAATIMUKSET

Laite on liitettävä erilliseen maadoitettuun piiriin, jossa on oikea jännite, taajuus ja virta ja joka on suojattu asianmukaisella sulakkeella. Vaadittu jännite, taajuus ja virta löytyvät tästä ohjekirjasta ja tuotteen takana olevasta arvokilvestä. Huomaa: Käymälä on liitettävä 12 voltin ja 4 ampeerin tasavirtalähteeseen. Jos käymälää on käytettävä 240 voltin vaihtovirralla, pyydä hyväksyttyä virtalähdettä jälleenmyyjältä.

Tehovaatimukset	SYÖTTÖTEHO	VIRTA	SULAKE
	12 V DC (11–14,4 V)	4 A	10 A
Virrankulutus	LEPOTILA	VALMIUSTILA	POLTTOTILA
	0,005 A	0,09 A	1,3 A
Napaisuus	POIKKIPINTA-ALA	POSITIIVINEN	NEGATIIVINEN
	2 mm ²	Punainen	Musta

Tasavirtaliitännän negatiivisia ja positiivisia johtoja ei saa yhdistää toisiinsa matkailuautossa, sillä se voi aiheuttaa sähköhäiriöitä ja vaurioittaa sähkökomponentteja. 12 voltin virtalähde on yhdistettävä omassa piirissä suoraan akkuun, ja piirin alkupäässä on oltava 10 ampeerin sulake. Laske johdon oikea koko johdon pituuden perusteella 12 voltin johdotusoppaan avulla.

12 VOLTIN JOHDOTUSOPAS						
Ampeeria	1 m	2 m	5 m	6 m	8 m	10 m
4	2 mm ²	2 mm ²	2 mm ²	4 mm ²	4 mm ²	4 mm ²

Huomioi seuraavat seikat, kun liität käymälän tasavirtalähteeseen:

- Varmista, että johdon virtaluokitus on riittävä piirin odotetulle kuormitukselle. Tähän tulee sisältyä myös turvamarginaali.
- Varmista, että johdon poikkipinta-ala soveltuu käytettävälle johdon pituudelle ja ettei johto aiheuta jännitteen laskua.
- Tarkista aina johtojen napaisuudet ennen liittämistä, sillä takuu ei kata napojen virheellistä liittämistä.



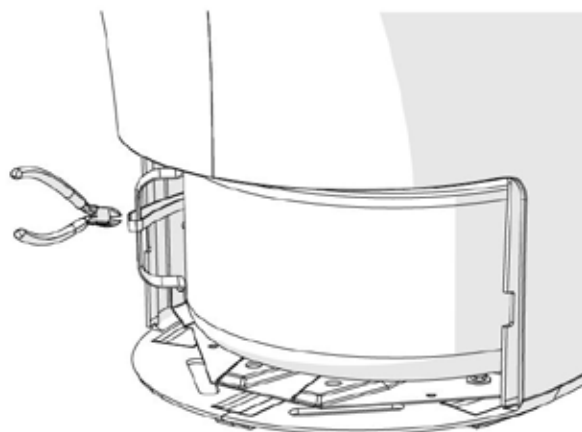
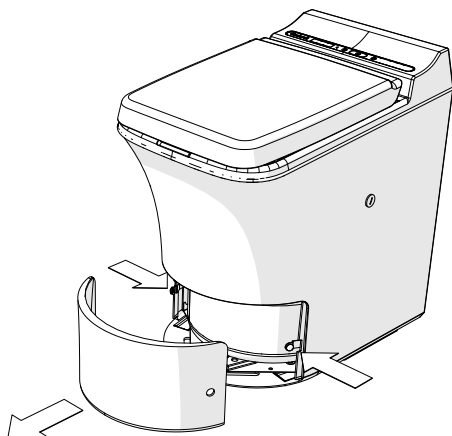
HUOMAUTUS!

- Liitäntäjohto on vedettävä siten, että se ei joudu kosketuksiin terävien reunojen kanssa.
- Turvallisuusriskien ehkäisemiseksi laitteen sisäisen sähköasennuksen ja liitäntäjohdon muutokset saa tehdä vain koulutettu ammattilainen.

2.7 KULJETUSTA VARTEN ASENETTUN TURVAHIHMAN POISTAMINEN

Tuhkasäiliössä oleva turvahihna on poistettava ennen käyttöä:

1. Irrota etuluukku.
2. Katkaise ja poista muovihihna, jolla tuhkasäiliö on kiinnitetty teräsrunkoon.



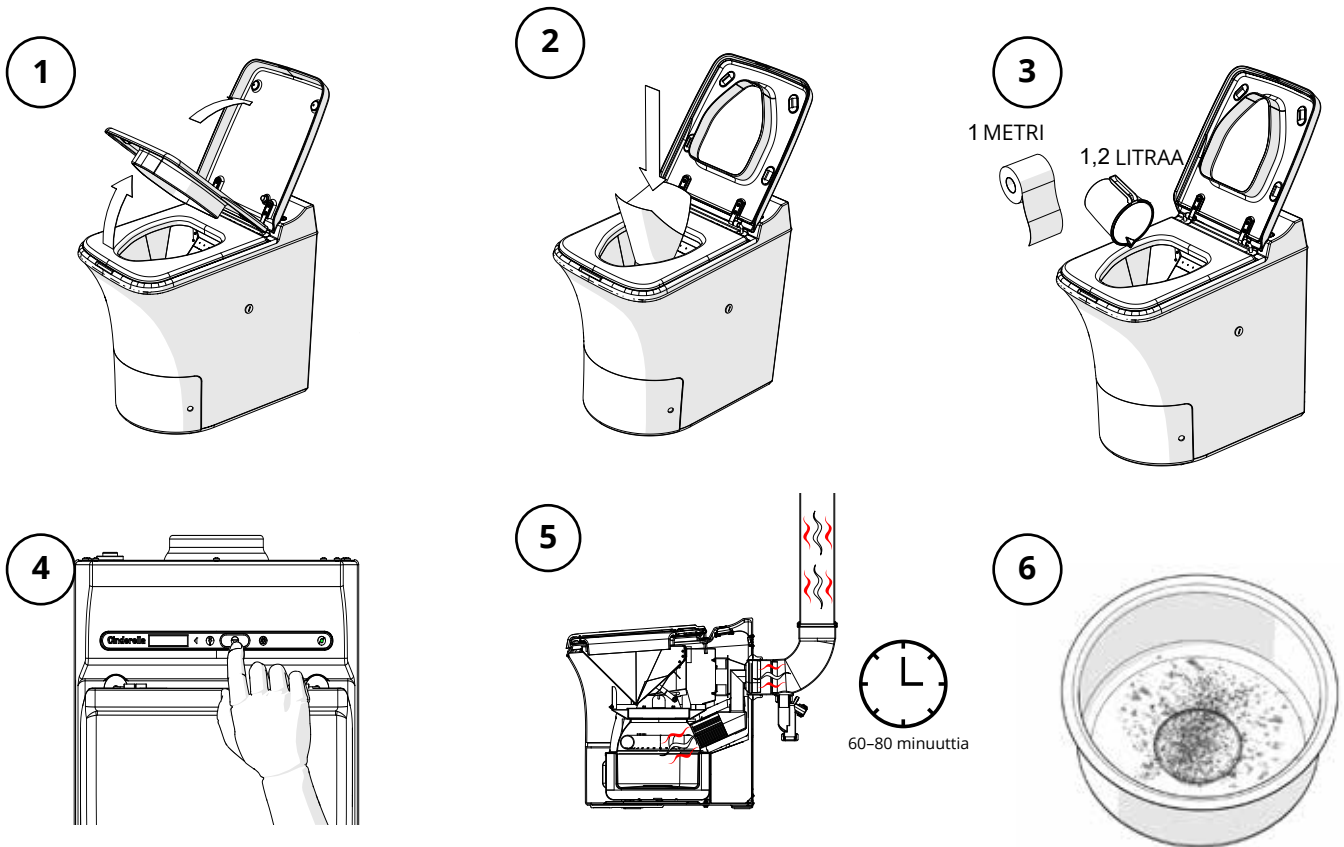
2.8 ASENNUKSEN TARKISTUSLISTA

TARKISTETTAVAT KOHDAT	TARKISTUSMERKKI
Liitäntäjännite on laitteen arvokilven mukainen.	
Liitetyn kaasun paine on laitteen arvokilven mukainen.	
Laitte on asennettu valmistajan ohjeiden mukaisesti.	
Savuhormi on asennettu valmistajan ohjeiden mukaisesti.	
Savuhormin pää on vähintään 600 mm:n etäisyydellä katon pinnasta.	
Kondenssiveden keräin on asennettu tarvittaessa.	
Savuhormin materiaalit on asennettu valmistajan ohjeiden mukaisesti.	
Savuhormin hattu on asennettu valmistajan ohjeiden mukaisesti.	
Tuloilma on valmistajan ohjeiden mukainen.	

2.9 TOIMIVUUSTESTAUS

Kun käynnistuspainiketta painetaan, polton pitäisi käynnistyä. Toimivuustestissä poltto-ohjelman arvioitu kesto on 60–80 minuuttia. Kun poltto on käynnissä, keltainen valo palaa. Laitteen pitäisi viedä testipolttu loppuun ilman virheilmoituksia tai katkoksia. Tuhkat voi poistaa vasta, kun käymälä on jäähtynyt sen verran, että tuuletin on pysähtynyt. Jäähdytys vie 60–90 minuuttia käyttölämpötilasta riippuen.

Polton tuloksena pitäisi olla vain hienojakoista valkoista tuhkaa. Jos polton tuloksena on jotakin muuta tai polttoaika ylittää 90 minuuttia, savuhormin toiminnassa tai hapen saannissa saattaa olla ongelmia. Tarkista, että asennus on tehty tämän ohjekirjan kohdassa 2 olevien valmistajan ohjeiden mukaisesti.



VAROITUS!

Tuhkasäiliö kuumenee polton aikana erittäin kuumaksi. Irrota etuluukku vasta, kun käymälä on täysin jäähtynyt ja tuuletin on pysähtynyt.



HUOMAUTUS!

- Toimivuustestaus on suunniteltu suoritettavaksi ennen käymälän käyttöönottoa. Tulokset voivat vaihdella, jos testi tehdään käytössä olevalla käymälällä.

3. KÄYTTÖOHJEET

3.1 LAITTEEN KÄYTTÖTARKOITUS JA KÄSITTELY

Cinderella Freedom -polttokäymälä on tarkoitettu sisäkäyttöön vapaa-ajan asunnoissa, ulkokäymälöissä, rakennustyömaiden sosiaalityöissä, asuntoveneissä ja uima-allastaloissa. Käymälä on tarkoitettu ainoastaan virtsan ja ulosteen sekä pienten hygieniatuotteiden, kuten vessapaperin, terveyssteiden ja alkoholittomien kosteus- tai puhdistuspyyhkeiden polttamiseen. Muiden materiaalien ja esineiden polttaminen Cinderella Freedom -polttokäymälällä on kielletty ja johtaa takuun mitätöimiseen.

Älä laita käymälään seuraavia asioita:

- suuria määriä paperia
- klooria sisältäviä puhdistusaineita
- alkoholia sisältäviä puhdistuspyyhkeitä
- sanomalehtipaperia
- paperipyyhkeitä
- tulenarkoja nesteitä tai aineita
- tupakansytyttimiä
- savukkeita tai sikareita
- bensiiniä
- alkoholijuomia
- alkoholia tai spritiä
- kynsilakanpoistoainetta
- sytytysnestettä
- lamppuöljyä tai kerosiinia
- aerosolipakkauksia
- lasi- tai muovipulloja tai -pakkauksia

3.2 YLEISTÄ TURVALLISUUSTIETOA



VAARA!

- Jos polttokäymälässä on näkyviä vaurioita, älä käytä sitä.
- Jos polttokäymälän virtajohto on vioittunut, valmistajan, asiakaspalvelun tai muun koulutetun ammattilaisen on vaihdettava se uuteen vaaratilanteiden ehkäisemiseksi.
- Polttokäymälän korjaustyöt saa tehdä vain koulutettu ammattilainen. Muun tahon kuin koulutetun ammattilaisen tekemä korjaus voi johtaa vaaratilanteeseen tai käymälän vahingoittumiseen.
- Lapset eivät saa puhdistaa tai huoltaa käymälää ilman valvontaa.
- Käymälän huollossa ei saa käyttää räjähdysalttiita tai tulenarkoja puhdistusaineita.

3.3 TURVALLISUUS KAASUN KÄYTÖN YHTEYDESSÄ



VAARA!

- Kaasulle altistuvien osien ja piipun vuotojen tarkistamisessa ei saa käyttää avotulta, sillä siitä aiheutuu palo- tai räjähdysvaara.
- Mikäli haistat kaasun hajun:
 - Sulje sylinterin kaasunsyötön hana ja venttiili.
 - Avaa ikkunat ja poistu tilasta.
 - Älä kytke sähkökatkaisijoita päälle tai pois päältä.
 - Sammuta kaikki avotulet.
 - Anna ammattilaisen tarkistaa kaasujärjestelmä.

3.4 TURVATOIMET



VAROITUS!

- Käymälän tuhkasäiliö kuumenee polton aikana erittäin kuumaksi. Varmista, että suojuksen on paikallaan polton ollessa käynnissä. Tyhjennä tuhkasäiliö vasta, kun käymälä on jäähtynyt kokonaan.
- Varo jättämästä sormia tai käsiä istuinkansien alle, sillä ne eivät sulkeudu pehmeästi ja voivat aiheuttaa puristumisvamman.

3.5 CINDERELLA FREEDOM -KÄYMÄLÄN TURVALLISUUSOMINAISUUDET

- Poltto keskeytyy, kun käymälän kansi avataan. Poltto käynnistyy uudelleen vasta, kun istuinkannet suljetaan.
- Polttokammion luukkua EI VOI avata, kun käymälä on kuuma (esimerkiksi puhdistuksen aikana). Luukku voidaan avata vasta, kun käymälä on jäähtynyt ja tuuletin pysähtynyt.

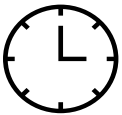
- Jos polton aikana ilmenee ilmanvaihto-ongelma ja käymälän sisälämpötila nousee yli 105 °C:seen, poltto keskeytyy ja laitteen näytölle ilmestyy varoitus. Käymälä on tällöin nollattava ja ilmanvaihto-ongelma korjattava, ennen kuin käymälää voi käyttää.
- Jos tuhkasäiliö laitetaan tyhjentämisen jälkeen huonosti paikalleen, poltto ei käynnisty ja näytölle ilmestyy varoitusvalo ja virheilmoitus.
- Jos polttokammion luukun mekanismi menee jumiin tai luukku ei pysty sulkeutumaan kunnolla, poltto ei käynnisty ja näytöllä näkyy virheilmoitus.
- Cinderella Freedom -polttokäymälän ohjelmisto sisältää toiminnon, joka valvoo lämpötilaa polton aikana. Jos lämpötila poikkeaa normaalista, poltto keskeytyy välittömästi ja näytöllä näkyy varoitus.

3.6 TIETOA KÄYTTÄJÄLLE



HUOMAUTUS!

- Muista laittaa käymälän altaaseen aina uusi suojaussi ennen käyttöä. Jokaisella käyttökerralla tulee käyttää uutta pussia.
- Käymälän kannen tulee olla kiinni aina, kun käymälää ei käytetä. Poltto ei käynnisty, ellei kansi ole kiinni.
- Poltto kestää enintään 180 minuuttia viimeisimmästä käyttökerrasta.
- Tuuletin on käynnissä siihen asti, kunnes poltto on päättynyt ja käymälän sisälämpötila on palautunut normaaliksi. Jäähdytys voi jatkua yli 120 minuuttia polton päättymisen jälkeen jäähdytysilman lämpötilasta riippuen.
- Cinderella-käymälää voi käyttää milloin tahansa polton ja jäähdytyksen aikana. Poltto keskeytyy käytön ajaksi. Sulje kansi aina käytön jälkeen ja paina käynnistyspainiketta.



Kapasiteetti 4 henkeä

Cinderella Freedom -käymälä on tarkoitettu käytettäväksi enintään neljä kertaa tunnissa. Ylikuormituksen välttämiseksi tätä tiheämpää käyttöä ei suositella. Käymälän ylikuormittaminen käyttämällä sitä useita kertoja polttoa suorittamatta saattaa johtaa hajunmuodostukseen ja vuotoihin sekä vahingoittaa käymälää.



Tyhjennystiheys

Käymälän säiliön nestetilavuus on 5 litraa. Käymälän toimivuuden takaamiseksi tuhkasäiliö tulee tyhjentää usein (kerran viikossa). Tyhjentäminen myös varmistaa tehokkaan polton ja auttaa pitämään katalysaattorin puhtaampana.

Jos tuhkasäiliötä ei ole tyhjennetty 90 polttokerran jälkeen, Cinderella Freedom -käymälän näytölle tulee ilmoitus. Jos tuhkasäiliötä ei ole tyhjennetty 120 polttokerran jälkeen, käymälä estää käytön. Suosittelemme tyhjentämään tuhkasäiliön tiheästi, sillä se tehostaa polttoa ja ehkäisee tuotteen kulumista.

Tuhkasäiliön tyhjennyksen laiminlyöminen saattaa vahingoittaa käymälää ja mitätöidä takuun.



Käymälän valmistelu pitkää käyttökatoa varten

Jos käymälää ei aiota käyttää pidempään aikaan, siinä on suoritettava täysi polttosykli ja sen tuhkasäiliö on tyhjennettävä.



Lyhytkestoinen tiheä käyttö

Jos käymälää pitää käyttää tiheästi lyhytkestoisesti esimerkiksi juhlien aikana, toimi seuraavasti:

1. Tyhjennä tuhkasäiliö kokonaan ennen vieraiden saapumista.
2. Esilämmitä käymälä ennen käyttöä avaamalla ja sulkemalla kansi ja painamalla käynnistyspainiketta.
3. Opasta vieraita käyttämään suojaussia ja painamaan käynnistyspainiketta jokaisen käyttökerran jälkeen.
4. Tarkista säännöllisesti, että käymälän kansi on kiinni ja keltainen polttovalo palaa.
5. Käymälä saattaa vaatia yhden tai kaksi ylimääräistä polttoa ennen tuhkasäiliön tyhjentämistä täydellisen polton varmistamiseksi.

3.7 OHJAUSPANEELI

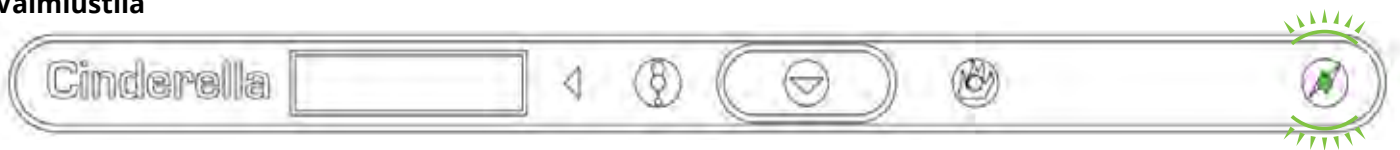
Ohjauspaneeli antaa ilmoituksia valo- ja äänimerkkien sekä tekstien avulla parhaan käyttäjäkokemuksen takaamiseksi. Järjestelmän tilaa ilmaisevat erilaiset valo- ja äänimerkit. Käyttäjän on tärkeää tutustua näiden ilmoitusten merkityksiin ennen käyttöä. Yhteenvedo valo- ja äänimerkeistä on kohdan 5.1. vianetsintätaulukossa.



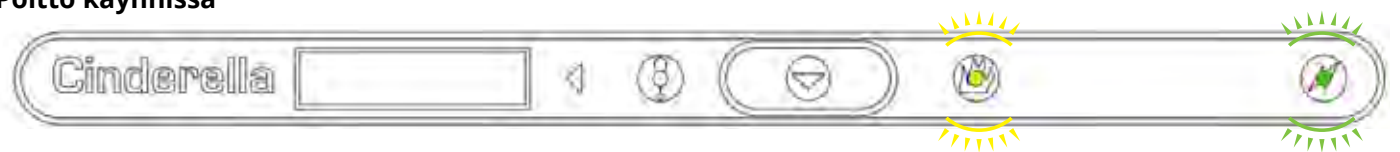
HUOMAUTUS!

- Vihreä valo ilmaisee, että käymälä on liitetty virtalähteeseen. Kun pelkästään vihreä valo palaa, käymälä on valmiustilassa ja käyttövalmis.
- Yhtäjaksoisesti palava keltainen valo ilmaisee, että poltto on käynnissä.
- Punainen valo ilmaisee polton tai valmiustilan keskeytymisestä.

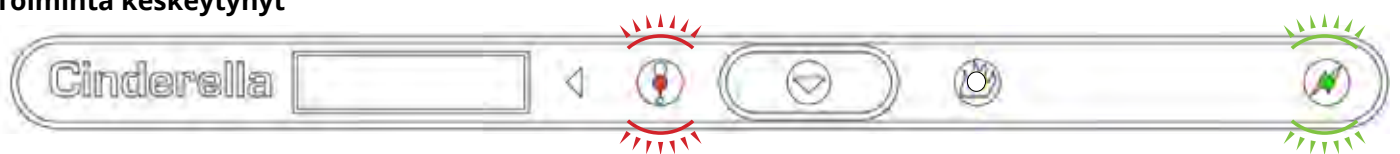
Valmiustila



Poltto käynnissä



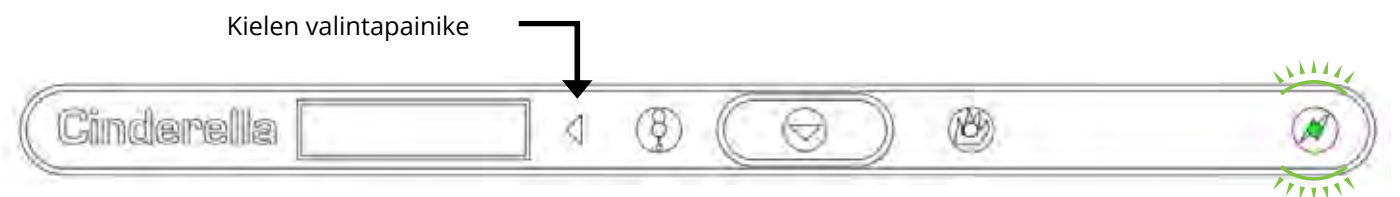
Toiminta keskeytynyt



Kielen valinta

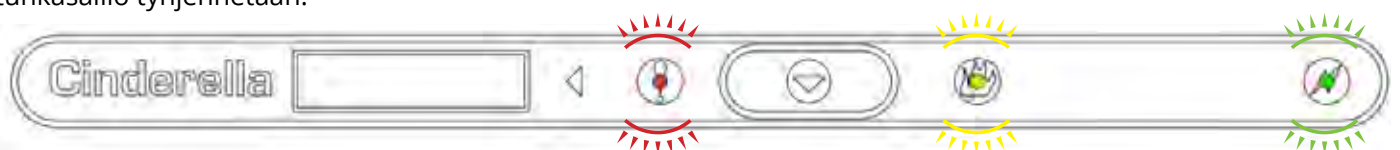
Pidä kielen valintapainiketta painettuna 3 sekuntia, kunnes näytön ensimmäisellä tekstirivillä näkyy Language. Valittu kieli näkyy toisella tekstirivillä. Paina kielen valintapainiketta toistuvasti, kunnes haluamasi kieli näkyy näytöllä. Kielivalinta tallennetaan automaattisesti muutaman sekunnin kuluttua, ja käymälä toimii normaalisti.

Kielen valintapainike



Tuhkasäiliön tyhjennysilmoitus

Cinderella Freedom -polttokäymälä antaa ilmoituksen, kun tuhkasäiliö pitää tyhjentää. Kun kansi avataan, näytöllä näkyy teksti EMPTY THE ASH CONTAINER (tyhjennä tuhkasäiliö) ja kuuluu kolme äänimerkkiä. Jos tuhkasäiliötä ei tyhjennetä ennen kuin tietty käyttökertojen määrä täyttyy, käymälä menee lukitustilaan. Tässä tilassa keltainen, punainen ja vihreä valo palavat ja näytöllä näkyy teksti TOILET LOCKED CONTAINER FULL (käymälä lukittu, säiliö täynnä). Käymälä antaa kolme äänimerkkiä kymmenen sekunnin välein siihen asti, kunnes tuhkasäiliö tyhjennetään.



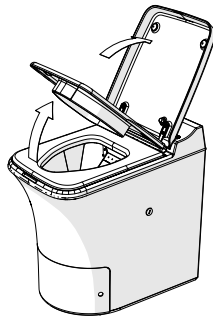
3.8 CINDERELLA FREEDOM -KÄYMÄLÄN KÄYTTÖ

1



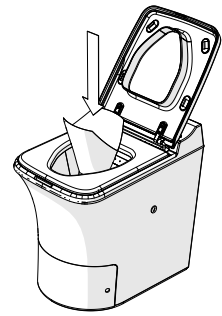
1. Tarkista, että ohjauspaneelin vihreä valo palaa. Se kertoo, että käymälä on valmiustilassa ja käyttövalmis.

2



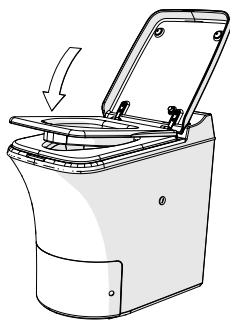
2. Avaa istuinkannet. Punainen valo alkaa vilkkua. Tuuletin käynnistyy.

3



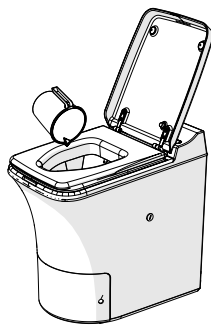
3. Aseta suojapussi käymälän altaaseen. Vaihda suojapussi jokaisella käyttökerralla.

4



4. Laske istuinrenkas. Käymälä on valmis käytettäväksi.

5



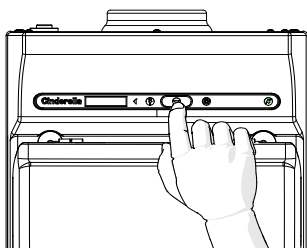
5. Käytä käymälää tavalliseen tapaan. Jos jätöksen määrä on pieni, käymälän altaaseen voi lisätä hieman vettä tuomaan painoa.

6



6. Sulje käymälän kansi.

7



7. Paina käynnistyspainiketta. Luukku aukeaa ja pussi sisältöineen putoaa polttokammioon. Poltto käynnistyy, kun luukku on sulkeutunut. Käymälä on nyt valmis seuraavaa käyttökertaa varten.

8



8. Polton ollessa käynnissä ohjauspaneelissa palaa keltainen valo. Käymälää voi käyttää milloin tahansa polton aikana. Poltto keskeytyy käytön ajaksi. Polttoaika riippuu käyttökertojen ja poltettavan jätöksen määrästä.

3.9 ETULUUKUN JA TUHKASÄILIÖN KÄYTTÖ



VAROITUS!

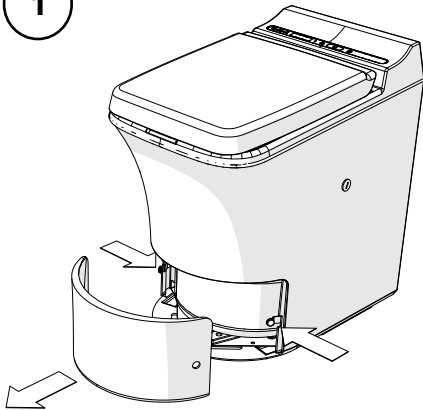
Tuhkasäiliötä saa käsitellä vain, kun käymälä on valmiustilassa ja jäähtynyt riittävästi.



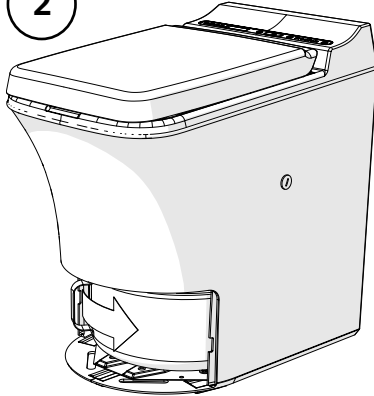
HUOMAUTUS!

Katso tuhkasäiliön puhdistus- ja tyhjennysohjeet käyttöohjeen huolto-osiosta.

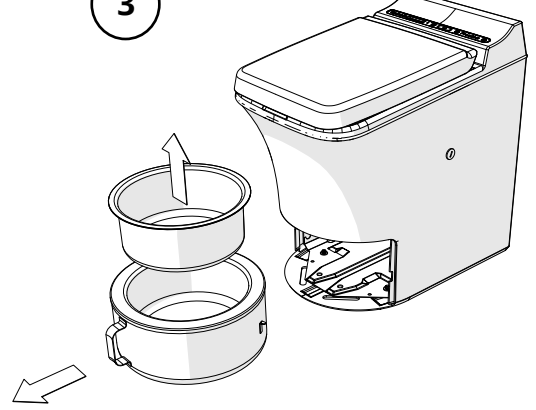
1



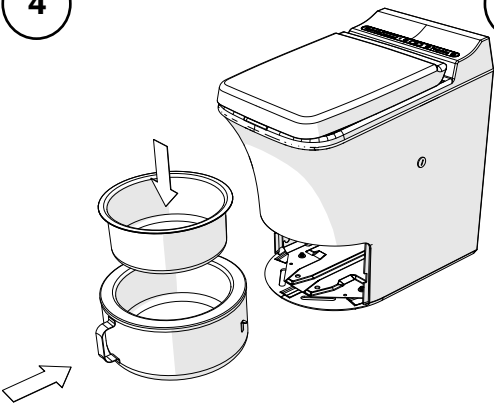
2



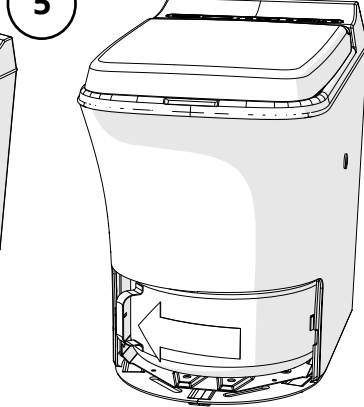
3



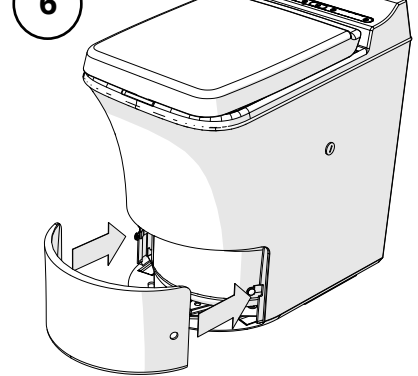
4



5



6



4. YLEISET HUOLTO-OHJEET

Tämä ohjekirja sisältää sekä käyttäjälle että koulutetuille ammattilaisille tarkoitetut huolto-ohjeet.

Toimiva ilmanvaihto on välttämätöntä käymälän ihanteellisen toiminnan kannalta. Poltossa syntyvät hiukkaset voivat ajan mittaan tukkia katalysaattorin ja savuhormin. Siksi näitä osia on huollettava säännöllisesti.

Jotta Cinderella Freedom -käymälä toimisi ihanteellisesti ja kestäisi käytössä pitkään, sille on tehtävä tietyt ennaltaehkäisevät huoltotoimet. Hyvä huoltorutiini pienentää käyttökustannuksia ja ehkäisee käymälän kulumista. Suosittelemme, että käyttäjä tekee käymälälle seuraavat huoltotoimet säännöllisesti:

1. Tyhjennä käymälä tiheästi. Älä laske käymälän käyttöä sen enimmäiskapasiteetin mukaan.
2. Puhdista tuhkasäiliö aina tyhjennyksen yhteydessä (ks. kohta 4.2.1).
3. Höyrypuhdista käymälän allas vähintään jokaisen suojaussipakkauksen (500 käyttökertaa) jälkeen, mieluiten jokaisen tuhkasäiliön tyhjennyksen ja puhdistuksen yhteydessä (ks. kohta 4.2.2).
4. Tarkista polttotulos aina tuhkasäiliön tyhjennyksen yhteydessä. Poikkeava tuhkan koostumus voi olla merkki huollon tai korjauksen tarpeesta (ks. kohta 4.1).

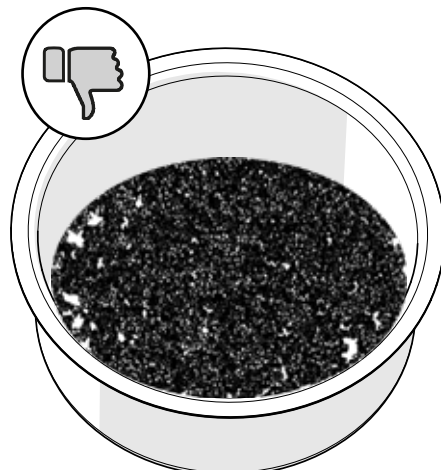
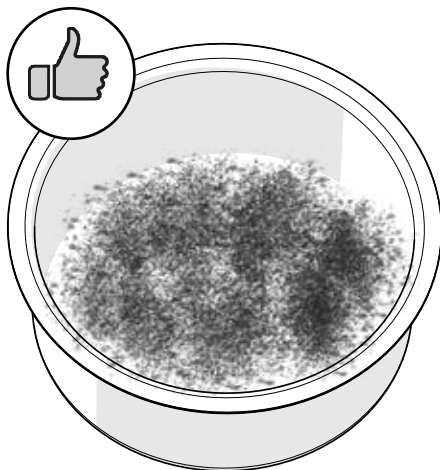


VAROITUS!

Tarkista aina ennen huoltotoimien aloittamista, että käymälä ei ole polttilassa ja että se on jäähtynyt riittävästi.

4.1 TUHKAN KOOSTUMUS

Koska tuhka koostuu ihmisjätöksistä, suoloista ja mineraaleista, se saattaa vaikuttaa kovalta ja kiteiseltä. Tuhkan seasta ei saa erottua paperia tai palamattomia jätöksiä, ja tuhkan värin tulisi olla väriltään valkoista ja tummanharmaata. Jos tuhkan seassa on palamattomia mustia kockareita, kosteutta tai paperia, käynnistä uusi poltto lisäämättä käymälään paperia tai nestettä. Kun poltto on valmis, tyhjennä tuhkasäiliö ja tee tämän ohjekirjan mukaiset huoltotoimet.

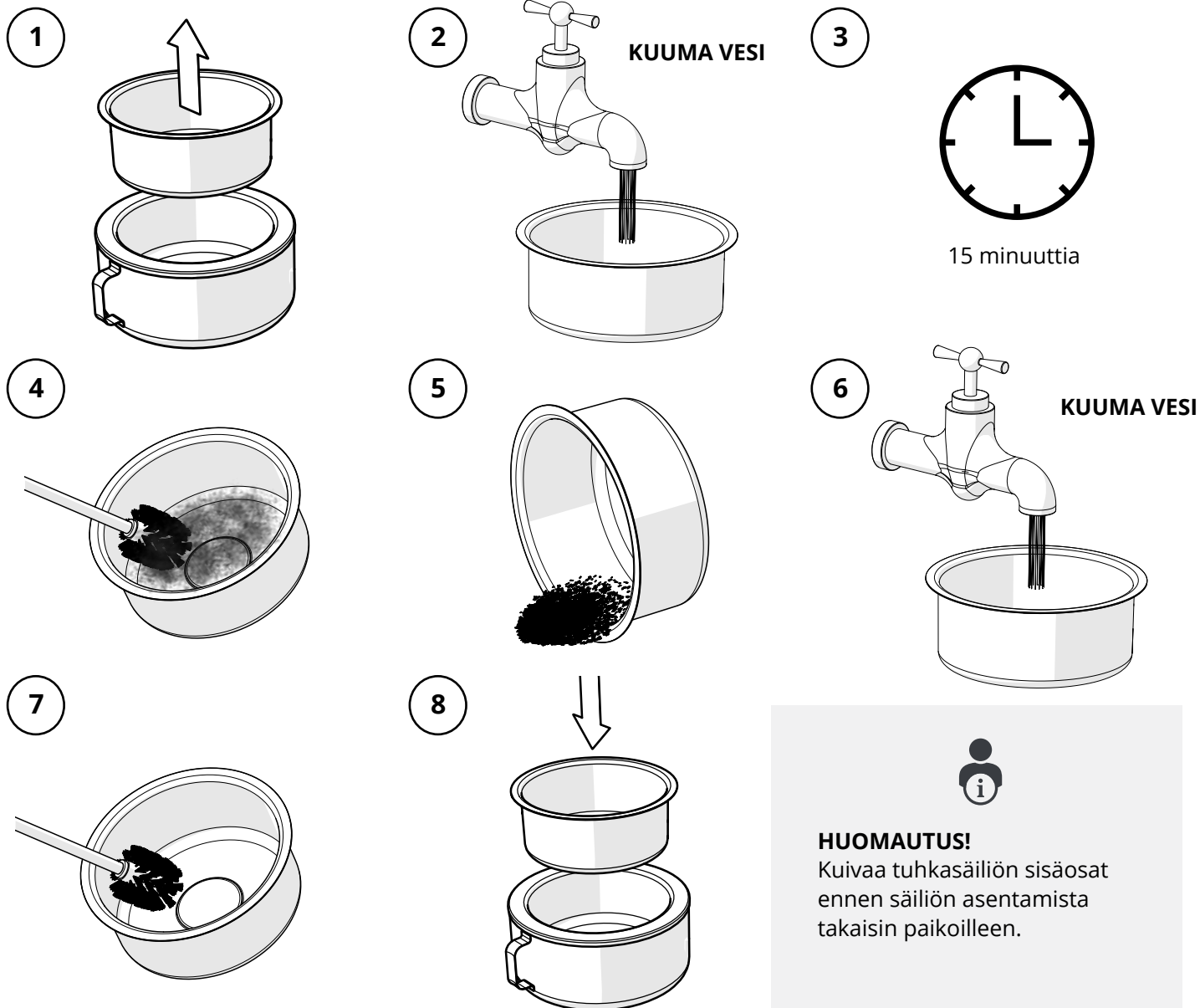


HUOMIO!

- Tuhka ei sovellu lannoitus- tai kompostikäyttöön. Se tulee hävittää kotitalousjätteen mukana paikallisten määräysten mukaisesti.
- Kun tuhka on palanut väriltään vaaleaksi, se on puhdasta ja turvallista käsitellä. Jos tuhka on mustaa ja liuskemaista tai poltto on jäänyt epätäydelliseksi, tee uusi poltto. Jos ongelma ei poistu, katso ohjeet vianetsintäosiosta.

4.2 HUOLTO-OHJEET KÄYTTÄJÄLLE

4.2.1 TUHKASÄILIÖN TYHJENNYS JA PUHDISTUS



HUOMIO!

Älä käytä tuhkasäiliön puhdistamisessa teräviä esineitä, sillä se voi vahingoittaa tuhkasäiliötä ja lyhentää sen käyttöikää.



HUOMAUTUS!

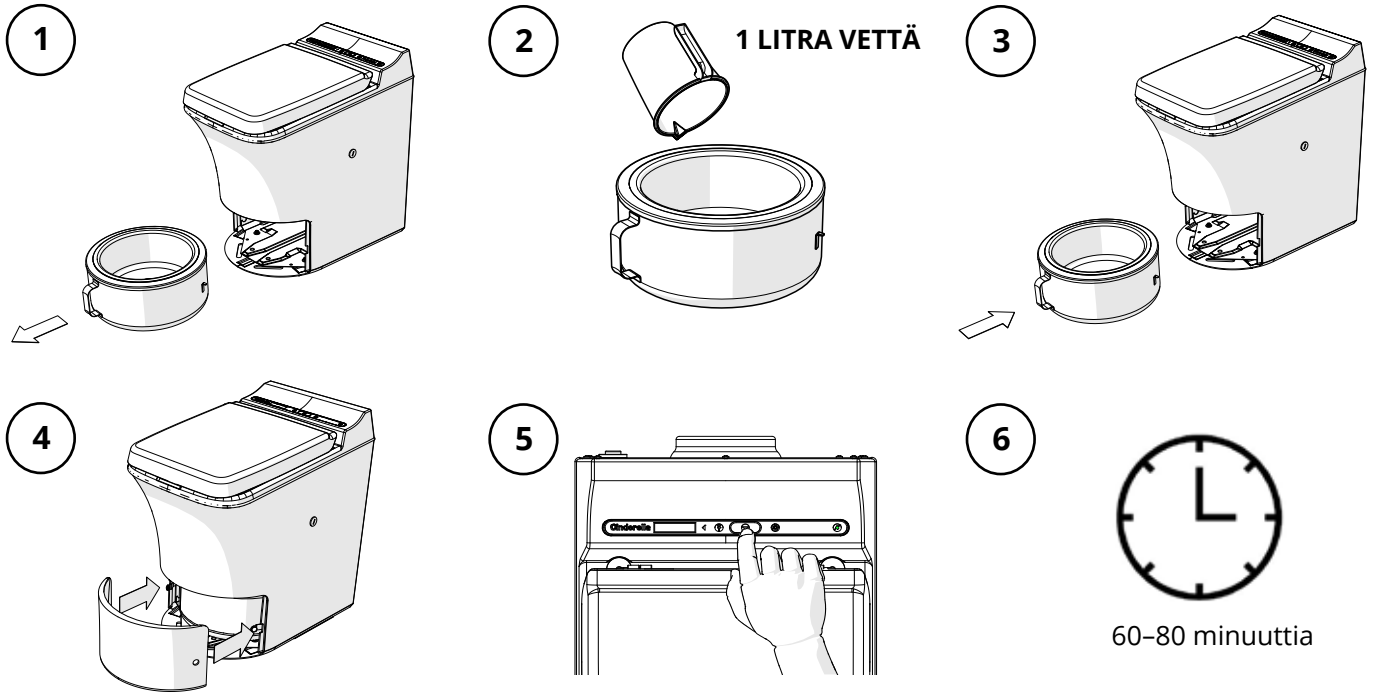
- Käymälän toimivuuden ylläpitämiseksi suosittelemme tekemään hörypuhdistuksen kohdan 4.2.2 ohjeilla jokaisen tuhkasäiliön tyhjennyksen ja puhdistuksen yhteydessä. Se ehkäisee noen ja sakan muodostumista katalysaattoriin ja savuhormiin.
- Käymälän tulee puhdistuksen aikana olla kytkettynä virtalähteeseen. Jos käymälä tyhjenetään virran ollessa katkaistuna, järjestelmä ei pysty nollaamaan laskuria.

4.2.2 KATALYSAATTORIN HÖRYPUHDISTUS

Suosittelu tiheys: Jokaisen tuhkasäiliön tyhjennyksen yhteydessä tai vähintään 500 käyttökerran välein.
Hörypuhdistus:

1. Varmista, että käymälä on jäähtynyt ja tuhkasäiliö on tyhjenetty ja puhdistettu (ks. kohta 4.2.1).
2. Poista etuluukku ja vapauta tuhkasäiliö.
3. Kaada tuhkasäiliöön noin 1 litra puhdasta vettä.

4. Aseta tuhkasäiliö paikalleen varovasti vettä läikyttämättä ja aseta etuluukku paikoilleen.
5. Nosta kansi ja varmista, että tuuletin alkaa pyöriä.
6. Käynnistä poltto painamalla käynnistuspainiketta.
7. Vesi alkaa kiehua ja höyry puhdistaa sakan katalysaattorista. Höyrypuhdistus kestää tavallisesti 60–80 minuuttia.



HUOMAUTUS!

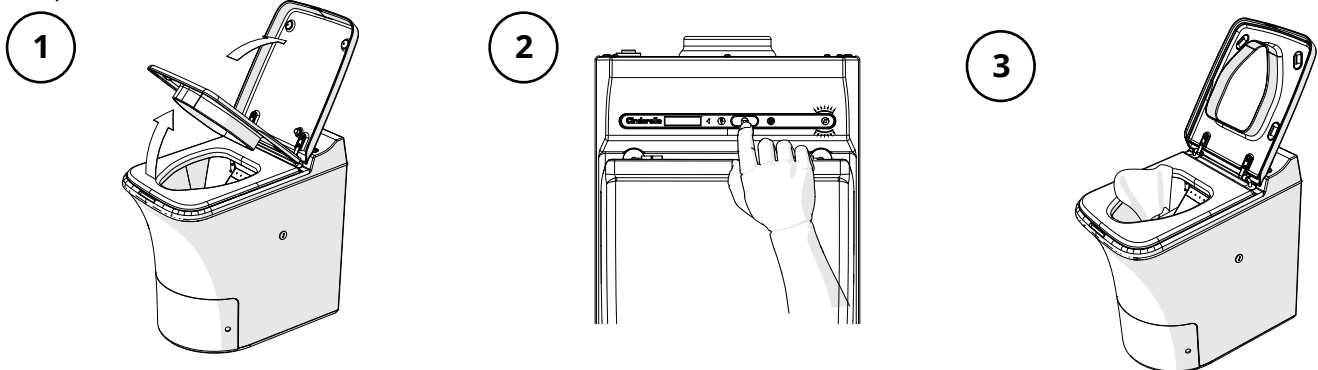
Käymälää ei saa käyttää höyrypuhdistuksen aikana, sillä se heikentää puhdistustehoa. Käymälää voi käyttää, kun se on palannut valmiustilaan.

4.2.3 KÄYMÄLÄN ALTAAN PUHDISTUS

Suosittelut tiheys: tuhkasäiliön puhdistuksen yhteydessä ja aina tarvittaessa.

Puhdista käymälän allas näin:

1. Avaa käymälän kansi.
2. Pidä käynnistuspainike painettuna 3 sekunnin ajan. Luukku avautuu puhdistusasentoon.
3. Pyyhi pinnat pehmeällä paperilla, vedellä ja miedolla pesuaineella tarpeen mukaan. Sulje kansi ja käynnistä poltto.



VAARA!

Älä käytä tulenarkoja puhdistusaineita käymälän altaan puhdistukseen. Käymälän metallireunat voivat olla teräviä. Käymälän on oltava jäähtynyt ja valmiustilassa ennen altaan puhdistusta.



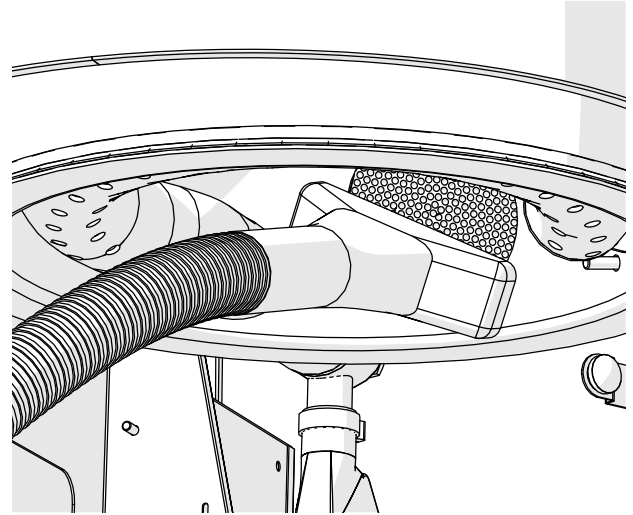
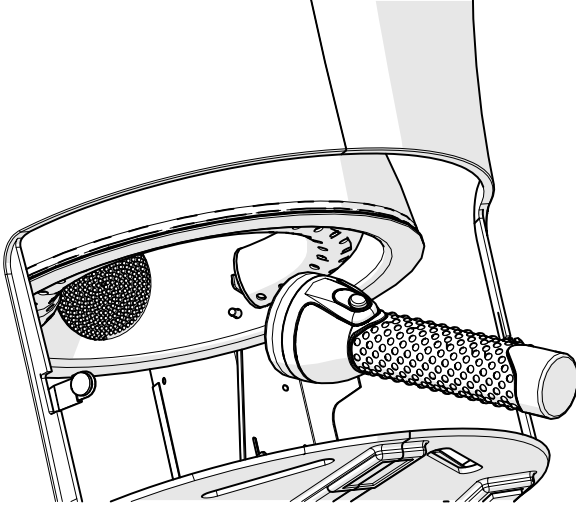
HUOMIO!

Älä käytä klooripitoisia puhdistusaineita käymälän altaan puhdistukseen. Kloori vahingoittaa katalysaattoria ja voi aiheuttaa toimintahäiriön.

4.2.4 KATALYSAATTORIN TARKISTUS JA PUHDISTUS IMURILLA

Suositteltu tiheys: 500 käyttökerran välein.

Katalysaattori muodostaa polttokammion ja savuhormin liitännän välisen ensisijaisen ilmanvaihtokanavan. Hiukkasten kertyminen katalysaattoriin heikentää ilman virtausta ja käymälän tehokkuutta. Siksi katalysaattorin tulee olla aina avoinna. Polttoajan ja/tai polton tehokkuuden muuttuminen voivat johtua katalysaattoriin kertyneestä sakasta. Paras ja helpoin tapa puhdistaa katalysaattori on tehdä kohdan 4.2.2 mukainen höyrypuhdistus. Katalysaattorin etuosan voi myös tarkistaa poistamalla tuhkasäiliön ja valaisemalla polttokammion sisäpuolelta. Hiukkaset ja kertymät voi poistaa imurilla.



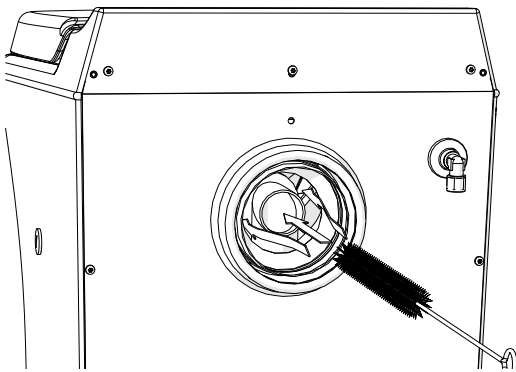
HUOMAUTUS!

Jos katalysaattorissa näkyy selkeästi syöpymiä tai kulumaa, katalysaattori on vaihdettava uuteen. Tilaa huolto paikalliselta palveluntarjoajalta.

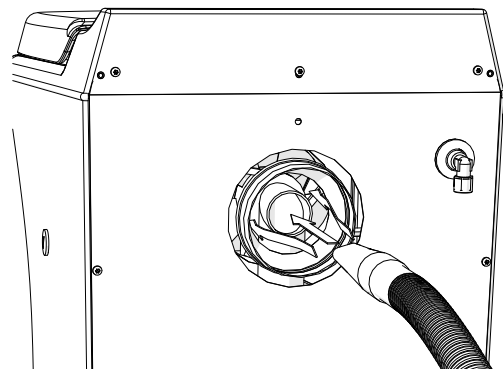
4.2.5 SAVUHORMIN LIITÄNNÄN PUHDISTUS

Suositteltu tiheys: vähintään 500 käyttökerran välein.

1. Puhdistusta varten käymälä on irrotettava savuhormista ja virtalähteestä.
2. Puhdista savuhormin liitäntä joustavalla harjalla. Puhdista sekä poistoputki että sitä ympäröivä liitin tuulettimen lapoihin asti hyvän ilmanvaihdon takaamiseksi.
3. Irrota ja puhdista tuhkasäiliö.
4. Puhdista savuhormi ja katalysaattori imurilla.
5. Liitä käymälä savuhormiin ja virtalähteeseen.
6. Aseta tuhkasäiliö ja etuluukku paikoilleen.
7. Savuhormin liitännän puhdistuksen jälkeen on suositeltavaa tehdä kohdan 4.2.2 mukainen höyrypuhdistus.



PUHDISTA POISTOPUTKI JA LIITIN

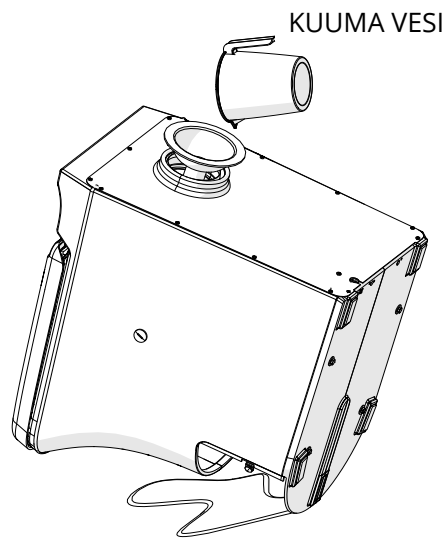


IMUROI POISTOPUTKI JA LIITIN

4.2.6 KATALYSAATTORIN HUUHTELU KUUMALLA VEDELLÄ

Jos höyrypuhdistus ei riitä poistamaan hiukkasia ja pahaa hajua, katalysaattori on huuhdeltava kuumalla vedellä. Huuhtelu edellyttää painavien esineiden nostamista, ja sen voi tehdä vain paikassa, jossa vettä saa roiskua. Tee ensin savuhormin liitännän puhdistuksen vaiheet 1–4 ja jatka niiden jälkeen seuraavasti:

1. Aseta käymälä sellaiseen paikkaan, johon saa roiskua vettä, esimerkiksi lattiakaivolliseen tilaan, ulkotiloihin tai kylpyammeeseen. Käytä Cinderellan omaa tai muuta suppiloa, joka mahtuu poistoputkeen. Kallista käymälää eteenpäin ja kaada 2–3 litraa kuumaa vettä poistoputken kautta katalysaattorin läpi. Huuhtelun loppuvaiheessa läpi valuvan veden tulisi olla puhdasta. Toista huuhtelu tarvittaessa.
2. Toista vaihe 1 neljästä viiteen kertaan, kunnes vesi on puhdasta eikä katalysaattorissa näy kiteitä tai muita tukkeumia (ks. kohta 4.2.4).
3. Liitä käymälä savuhormiin ja virtalähteeseen.
4. Aseta tuhkasäiliö ja etuluukku paikoilleen.
5. Tee toimivuustestaus kohdan 2.8 mukaisesti.



HUOMAUTUS!

Ennen käymälän irrottamista ja huuhtelemista kuumalla vedellä, tarkista katalysaattori ja tee kohdan 4.2.2 mukainen höyrypuhdistus. Jos katalysaattori on edelleen tukossa tai polton aikana muodostuu hajua, huuhtele katalysaattori kohdan 4.2.6 mukaisesti.



HUOMIO!

Käymälän etukuori on ohut, eikä käymälän koko painoa saa laskea sen varaan. Ole varovainen kallistaessasi käymälää ja varmista, että sen kuori en vaurioidu. Toimenpide on suositeltavaa suorittaa kahden ihmisen voimin, jolloin toinen voi pidellä käymälää toisen huuhtoessa katalysaattoria.

5. VIANETSINTÄ JA USEIN KYSYTTYÄ



VAROITUS!

Huollot tulee tehdä kansallisten ja paikallisten määräysten mukaisesti. Jos et tiedä alueellasi noudatettavia määräyksiä, käänny jälleenmyyjän tai valtuutetun huollon puoleen. Käymälä on irrotettava virtalähteestä ennen huolto- ja korjaustoimien suorittamista.

Vianetsintä verkossa

Ohjauspaneelin ääni- ja valomerkit ilmaisevat käymälän tilan. Käymälän toimintahäiriöt ilmaistaan erilaisilla ääni- ja valomerkeillä, jotka on kuvattu kohdassa 5.1. Tavallisimmat vika- ja ongelmatilanteet on koottu verkossa olevaan vianetsintäoppaaseen. Sen avulla voit selvittää, millaisesta viasta on kyse, ja saat ratkaisuehdotuksia.

Kaasu loppunut

Polton epäonnistuminen ja näytön vilkkuva keltainen valo voivat olla merkki siitä, että propaanisäiliö on tyhjä. Säiliö on tällöin täytettävä tai vaihdettava.

Käymälän järjestelmän nollaus

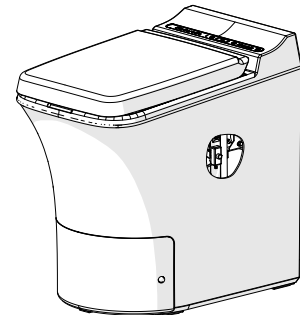
Käymälä on toisinaan hyvä nollata puhdistuksen ja vianetsinnän yhteydessä. Nollaa järjestelmä seuraavasti: Paina käynnistuspainiketta. Kuuluu lyhyt äänimerkki. Pidä painiketta painettuna noin 8 sekuntia, kunnes kuuluu pitkä äänimerkki. Vapauta painike.

Virheilmoitukset

Kun yksi tai useampi ohjauspaneelin valoista vilkkuu, selvitä syy ja korjaa ongelma ennen käymälän käyttämistä. Jos käymälä muodostaa hajua, polttaa huonosti tai järjestelmässä ilmenee toimintahäiriö, tilanne on selvitettävä välittömästi käymälän vaurioitumisen ja turhien korjauskustannusten välttämiseksi.

Kaksimetallisen termostaatin virhe

Kaksimetallinen termostaatti antaa virheilmoituksen, kun käymälän sisälämpötila nousee liian suureksi. Näin tapahtuu tavallisesti, kun ilmankierto on riittämätöntä tai korvaus- tai poistoilmaputkissa on tukos. Tarkista korvausilman saanti ja että savuhormi on avoin ja esteetön. Tarkista katalysaattori silmämääräisesti ja tee höyrypuhdistus kohdan 4.2.2 mukaisesti. Nollaa termostaatti ruuvaamalla laitteen sivulla oleva muoviruuvi irti, painamalla painiketta ja ruuvaamalla ruuvi takaisin paikalleen.



Sähkökatkon sattuessa

Jos poltto on käynnissä sähkökatkon sattuessa, käymälästä saattaa tulla hajua tilapäisesti ja ulkona olevasta savuhormista saattaa tulla savua ja hajua. Sähkökatkon jälkeen poltto ei käynnisty automaattisesti, vaan käyttäjän on käynnistettävä uusi poltto. Jos sähkökatkon odotettu kesto on yli kaksi tuntia, käymälä on tärkeää tyhjentää, sillä muuten käymälä saattaa vaurioitua. Käymälää ei saa käyttää sähkökatkon aikana.

Hajunmuodostus sisätiloissa

Hajunmuodostus voi johtua useista syistä:

1. Suojapussin käyttämättä jättäminen tai suojapussin vääränlainen käyttö.
2. Ilmanvaihto ei toimi. Tarkista savuhormi ja savuhormin hattu.
3. Tarkista, että käymälä on asennettu asennusohjeen mukaisesti. Savuhormin esteet voivat aiheuttaa alipainetta ja hajunmuodostusta sisälle.
4. Poistoputki saattaa olla tukossa. Ks. kohta 4.3.1.
5. Katalysaattori saattaa olla tukossa. Ks. kohta 4.3.1.
6. Poistoputki ei ole kunnolla kiinni käymälässä. Ks. kohta 2.5.1.

Hajunmuodostus ulkotiloissa

Syyt voivat olla samoja kuin sisätiloissa tai johtua seuraavista:

1. Katalysaattori ei ole saavuttanut käyttölämpötilaa. Kun käymälä on kylmä, katalysaattorin lämpeneminen oikeaan lämpötilaan saattaa viedä muutaman minuutin.
2. Katalysaattori saattaa olla syöpyntä tai vioittunut. Ota yhteyttä valtuutettuun huoltoon.

5.1 VIANETSINTÄTAULUKKO



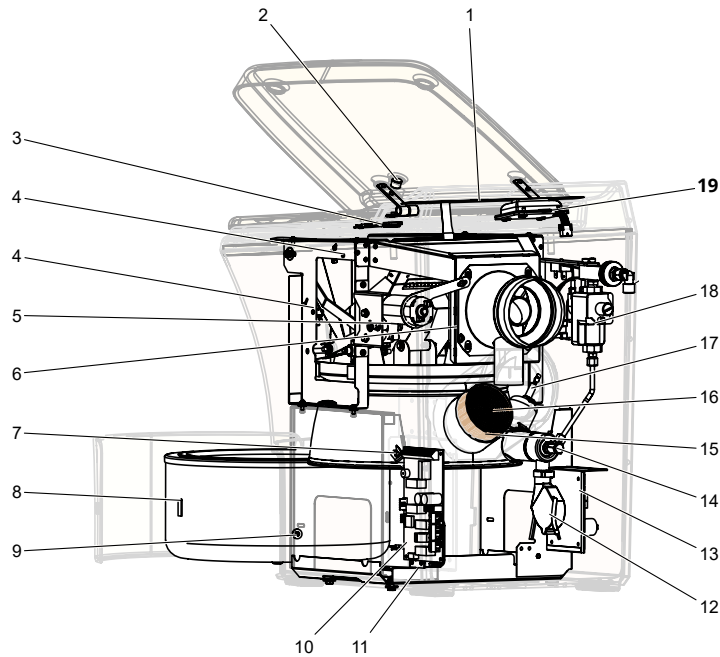
HUOMAUTUS!

Cinderalla on kehittänyt digitaalisen vianetsintämoduulin, joka on saatavilla verkkosivuillamme. Se toimii vianetsintätaulukon lisänä. Löydät sen osoitteesta www.cinderellaeco.com.

VIRHE	ILMOITUS	PUNAINEN VALO	KELTAINEN VALO	VIHREÄ VALO	ÄÄNI	OHJEET
Tuhkasäiliö on tyhjennettävä.	Tyhjennä tuhkasäiliö	VILKKUU vuorotellen	VILKKUU vuorotellen	PALAA	3 ÄÄNIMERKKIÄ	1 Irrota ja tyhjennä tuhkasäiliö. * Käymälän tulee olla liitettynä 230 V:n virtalähteeseen.
Tuhkasäiliö on tyhjennettävä. Käymälä lukittu.	Käymälä lukittu, säiliö täynnä	PALAA	PALAA	PALAA	3 ÄÄNIMERKKIÄ 10 SEKUNNIN VÄLEIN	1 Irrota ja tyhjennä tuhkasäiliö. * Käymälän tulee olla liitettynä 230 V:n virtalähteeseen.
Ei virtaa	Tyhjä näyttö	EI PALA	EI PALA	EI PALA		1 Varmista, että käymälä on liitettynä virtalähteeseen (230 V AC).
Tuuletinvirhe	Tuuletinvirhe	VILKKUU	EI PALA	VILKKUU	10 ÄÄNIMERKKIÄ	1 Tarkista tuuletin esteiden varalta ja varmista, että se pääsee pyörimään vapaasti. 2 Nollaa käymälä (pidä käynnistyspainike painettuna). 3 Avaa kansi, kunnes punainen valo alkaa vilkkua. Sulje kansi ja paina käynnistyspainiketta. Jos vika ei poistu, kutsu huolto.
Luukun toimintahäiriö	Luukun toimintahäiriö	VILKKUU	EI PALA	PALAA	10 ÄÄNIMERKKIÄ	1 Jos käymälä on lämmin, nollaa se. 2 Avaa kansi, kunnes punainen valo alkaa vilkkua. Sulje kansi ja paina käynnistyspainiketta. 3 Jos vika ei poistu, nollaa käymälä, aseta suojaussi altaaseen ja kaada pussiin 7 dl vettä. Sulje kansi ja paina käynnistyspainiketta. 4 Jos vika ei poistu, odota kunnes käymälä on jäähtynyt (tuuletin lakkaa toimimasta). 5 Nollaa käymälä uudelleen ja avaa kansi, kun luukku on avautumassa, ja poista luukun toimintaa estävä esine. Jos vika ei poistu, kutsu huolto.
Tuhkasäiliö ei ole kohdillaan.	Tuhkasäiliö ei ole kohdillaan.	VILKKUU	VILKKUU	PALAA	3 ÄÄNIMERKKIÄ	1 Aseta tuhkasäiliö kohdilleen kiertämällä kahvaa vasemmalle. 2 Tarkista, että säiliön pysäytin on ehjä. 3 Tarkista säiliön magneetin kunto silmämääräisesti. Jos vika ei poistu, kutsu huolto.
Lämmityspiirin toiminta on keskeytynyt	Polttojärjestelmän virhe	EI PALA	VILKKUU	PALAA	JATKUVAT ÄÄNIMERKIT	1 Nollaa käymälä. 2 Tarkista käymälän oikealla puolella oleva kaksimetallinen termostaatti. Kierrä harmaa tulppa auki ja paina sisällä olevaa sulaketta sormella. Älä käytä teräviä esineitä. Jos sulake on lauennut, kuulet naksahduksen. Ks. kohta 5. 3 Jos vika ei poistu, nollaa käymälä uudelleen ja yritä käynnistää se. Toista muutaman kerran. Jos vika ei poistu, kutsu huolto.
Kannen anturi on lauennut	Kansi on auki	VILKKUU	EI PALA	PALAA	-	1 Tarkista kannen alla oleva magneetti ja sulje kansi. Jos vika ei poistu, kutsu huolto.
Lämpötila-anturin toimintavirhe	Lämpötila-anturin virhe	EI PALA	VILKKUU	VILKKUU	JATKUVAT ÄÄNIMERKIT	1 Nollaa käymälä. 2 Avaa kansi, kunnes punainen valo alkaa vilkkua. Sulje kansi ja paina käynnistyspainiketta. 3 Jos vika ei poistu, kutsu huolto.
Ei lukukelpoinen / ei ilmoitusta	Ei lukukelpoinen / tyhjä näyttö					1 Irrota käymälä virtalähteestä ja odota 5 min. 2 Liitä käymälä virtalähteeseen ja käynnistä. 3 Jos vika ei poistu, kutsu huolto.

6. KORJAUS JA VARAOSAT

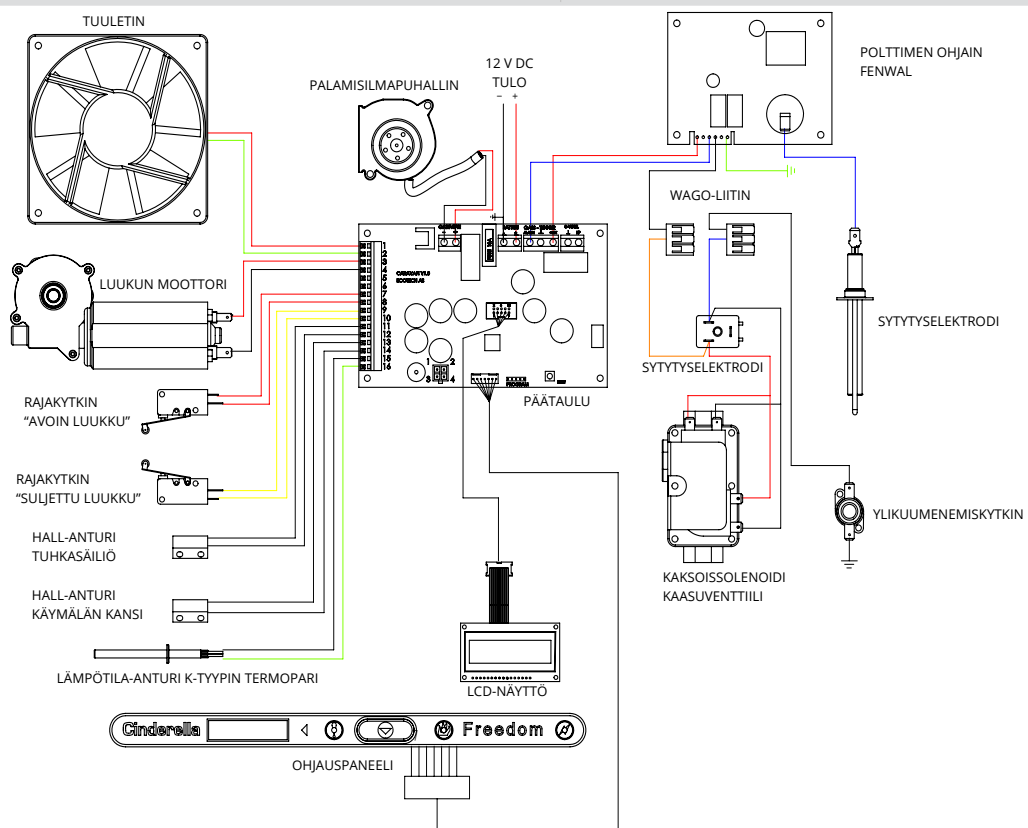
6.1 VARAOSALUETTELO



NRO	OSAN KUVAUS	TUOTENRO
1	Ohjauspaneeli	100981
2	Magneetti 14x10 mm	100433
3	Hall-anturi, johto ja teippi P = 330 mm	100964
4	Mikrokytkin	101127
5	Nidec-moottori 12/24 V DC	101177
6	Aksiaalipuhallin 12 V DC 119x38 mm	100154
7	Lämpöparikokoonpano	100831
8	Pysäytyskannatin 9x26x12 mm	100017
9	Magneetti 14x7 mm	100065
10	Piirilevy kaasu	100989

NRO	OSAN KUVAUS	TUOTENRO
11	Hall-anturi	100228
12	Keskipakotuuletin 51x51x15	100542
13	Fenwal-sytytysyksikkö	100424
14	Kaasusuutin 8 tuumaa WC propaani SM	101414
15	Eriste 275x90x2 mm	100163
16	Katalysaattori 90x75 mm	100528
17	Sytytys elektrodi	100196
18	Kaasunsäätö - Maxitrol CV200	101224
19	LED-näyttö 65 x 36 x 13	100401

6.2 KYTKENTÄKAAVIO



7. Takuu

Mitä takuu kattaa?

Tämä takuu kattaa Cinderella-polttokäymälän materiaali- ja valmistusvirheet. Takuun voimassaoloaika on ilmoitettu jäljempänä, samoin poikkeukset takuun voimassaoloon.

Mitä takuu ei kata?

Tämä takuu ei kata normaalista käytöstä aiheutuvaa kulumista eikä onnettomuuksista (mukaan lukien tulipalo, tulva, hirmumyrsky ja muut luonnonmullistukset), väärinkäytöstä, virheellisestä käytöstä, valmistajan ohjeiden laiminlyönnistä tai riittämättömästä huollosta aiheutuvia vahinkoja. Tämä takuu ei kata välillisiä tai muita epäsuoria vahinkoja. Cinderella Eco Group ei tarjoa paikan päällä -takuuta. Tämä tarkoittaa sitä, että käymälä on toimitettava huollettavaksi valtuutettuun huoltoliikkeeseen. Jos se ei ole mahdollista, jälleenmyyjällä on oikeus veloittaa kuljetus- tai matkakustannukset.

Kuinka kauan takuu on voimassa?

Kuluttajalle tämä takuu on voimassa kolme (3) vuotta tuotteen alkuperäisestä ostopäivästä. Ammattioistajille takuu on voimassa yhden (1) vuoden ostopäivästä.

Miten Cinderella Eco Group toimii takuuasioissa?

Jos esität oikeutetun takuuvaatimuksen, Cinderella Eco Group valintansa mukaan joko korjaa Cinderella-polttokäymälän, vaihtaa sen uuteen tai hyvittää sen ostohinnan.

Miten saan tuotteelle takuuhuollon?

Varaa huolto ottamalla yhteyttä tuotteen myyjään tai valtuutettuun huoltoliikkeeseen. Huoltovaihtoehdot vaihtelevat maittain.

Takuuhuollon saadaksesi sinua voidaan pyytää esittämään ostokuitti. Tarkempaa tietoa takuusta on osoitteessa www.cinderellaeco.com

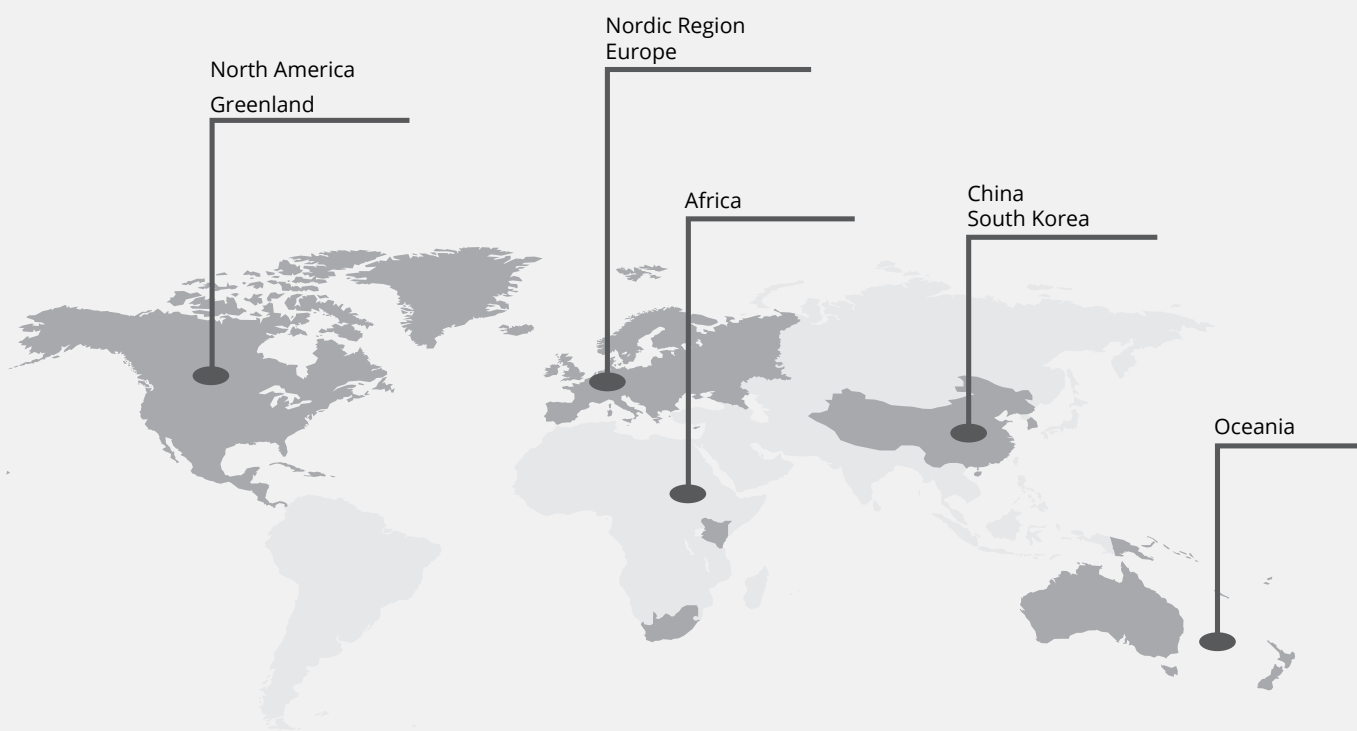
Cinderella Eco Group AS

Sjøvikvegen 67, 6475 Midsund, Norja
www.cinderellaeco.com



Cinderella[®]
Cinderella Eco Group

CINDERELLA'S GLOBAL PRESENCE



Cinderella Eco Group AS
Sjøvikvegen 67, NO-6475 Midsund, Norway
www.cinderellaeco.com